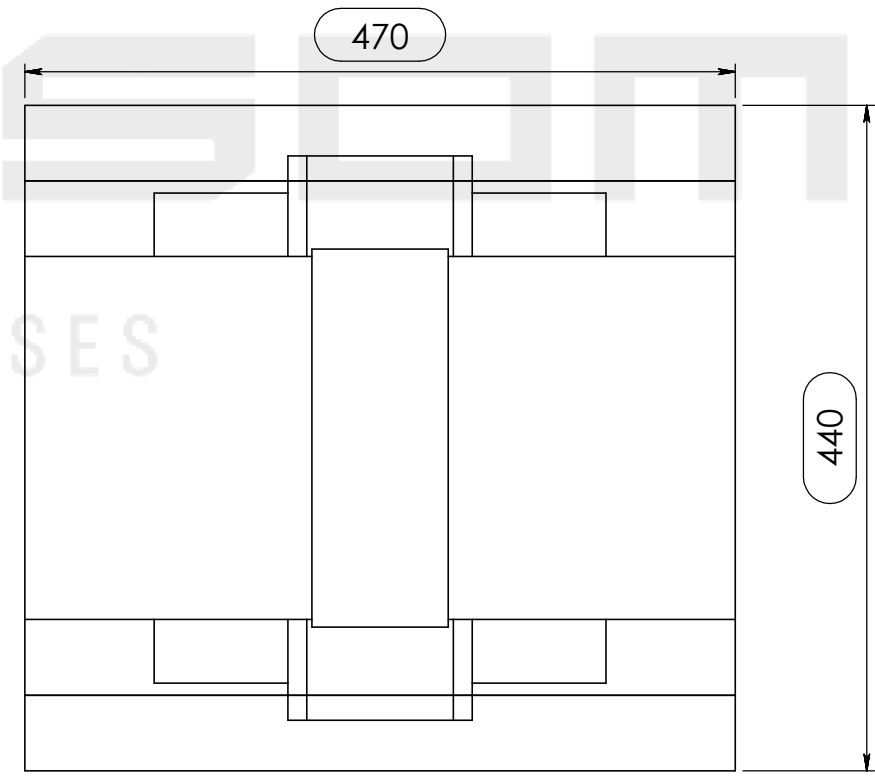
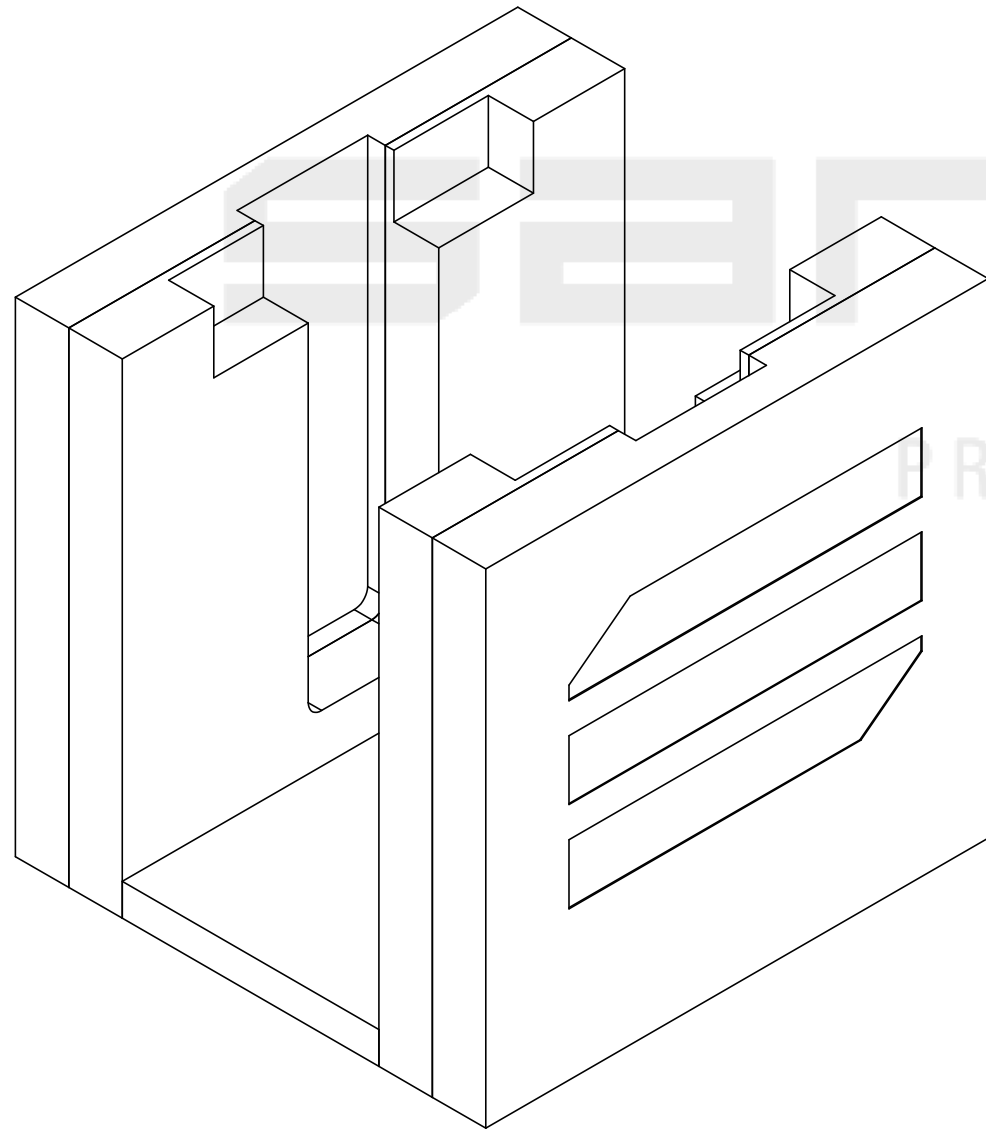
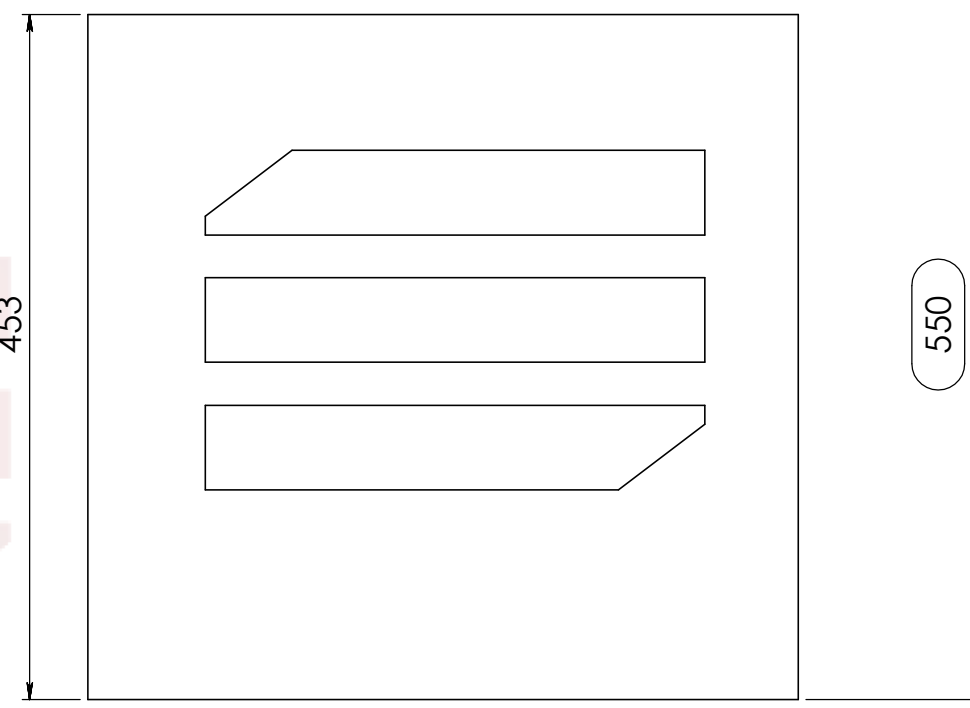


Revision Table				
Index	Rev.	Description	Date	Draw
-	-	Final Drawing	16/05/2014	Daniel Lopes



A3 This drawing must not be copied or disclosed without consent of the owner

Drawn by	DanielLopes	Date	05-06-2014
Reference	EMH.S250.04		
Scale	1:5	units in mm	DO NOT SCALE
1st Angle projection		general tolerance	0.8mm
		FOAM SHELL BEAM 200	

