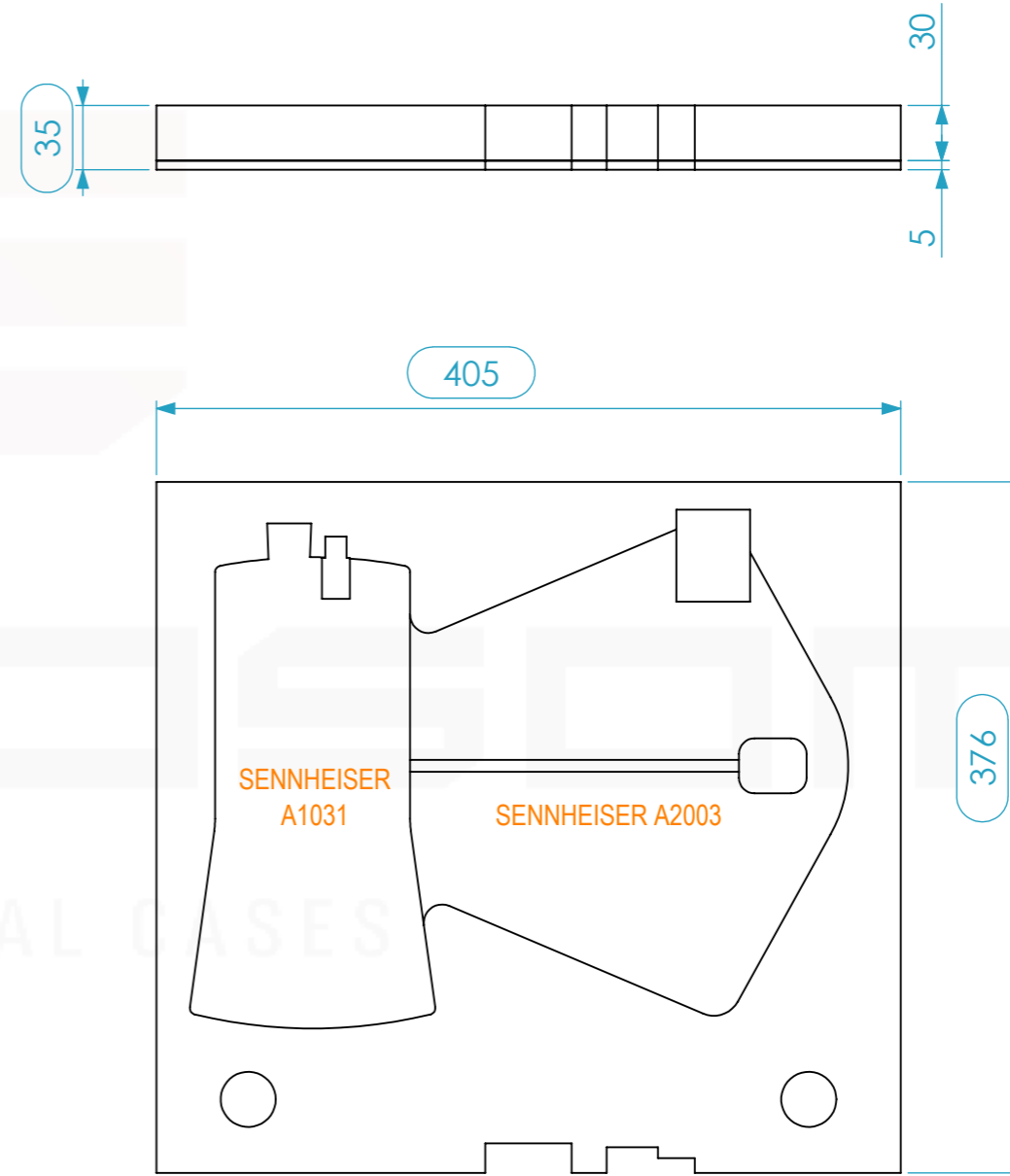
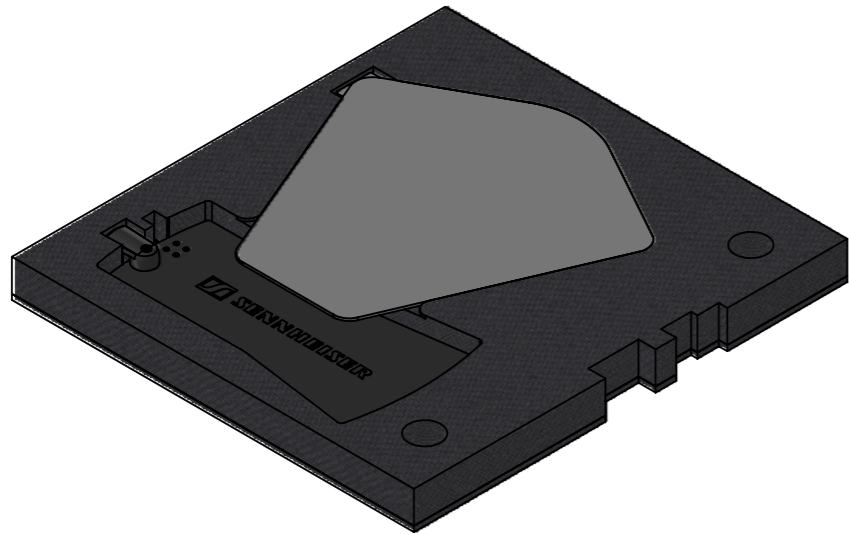
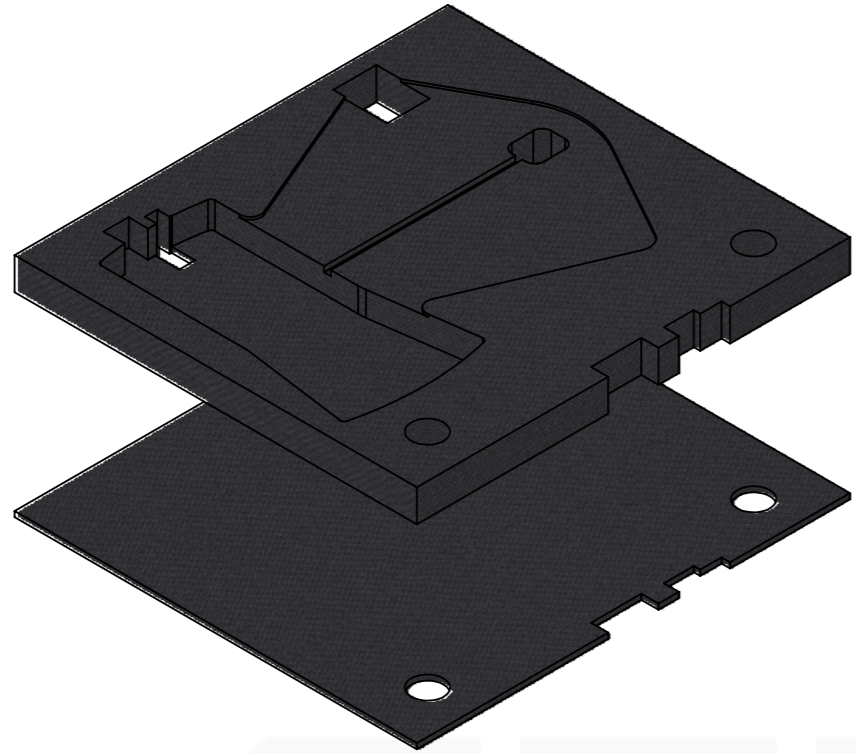


Exterior dimensions

Width	Depth	Height
405	376	35



santosom
PROFESSIONAL CASES

Name	Date
projects	04/06/2021
Reference	EHK.A2003
Scale	1:4
units in mm	DO NOT SCALE
general tolerance	0.8mm
EHD 2U, SENNHEISER A2003 & SENNHEISER A1031	

This drawing must not be copied or disclosed without consent of the owner



A3