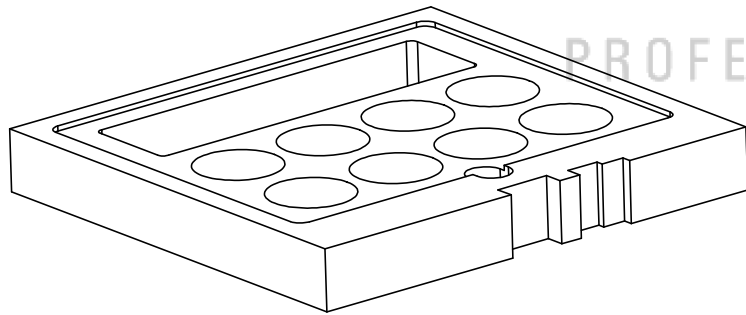
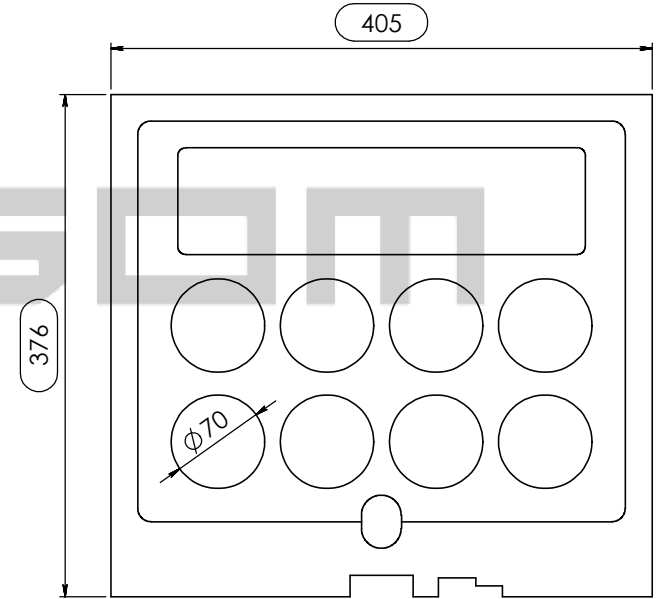
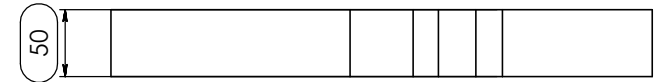
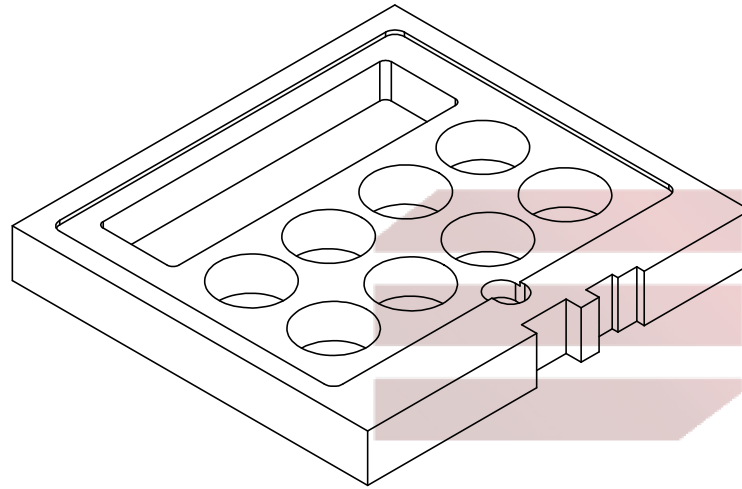


REVISIONS				
ZONE	REV.	DESCRIPTION	DATE	APPROVED
-	-	Final Drawing	08/10/2014	Delfim Alves



santosom
PROFESSIONAL CASES

Drawn by	Delfim Alves	Date	08-10-2014
Reference	EHK.416		
Scale	1:4	general tolerance	0.8mm
 1st Angle projection		EHD 2U, SENNHEISER 8X MKE 1 2X AD 9000 ANTENNA	



This drawing must not be copied or disclosed without consent of the owner

A3