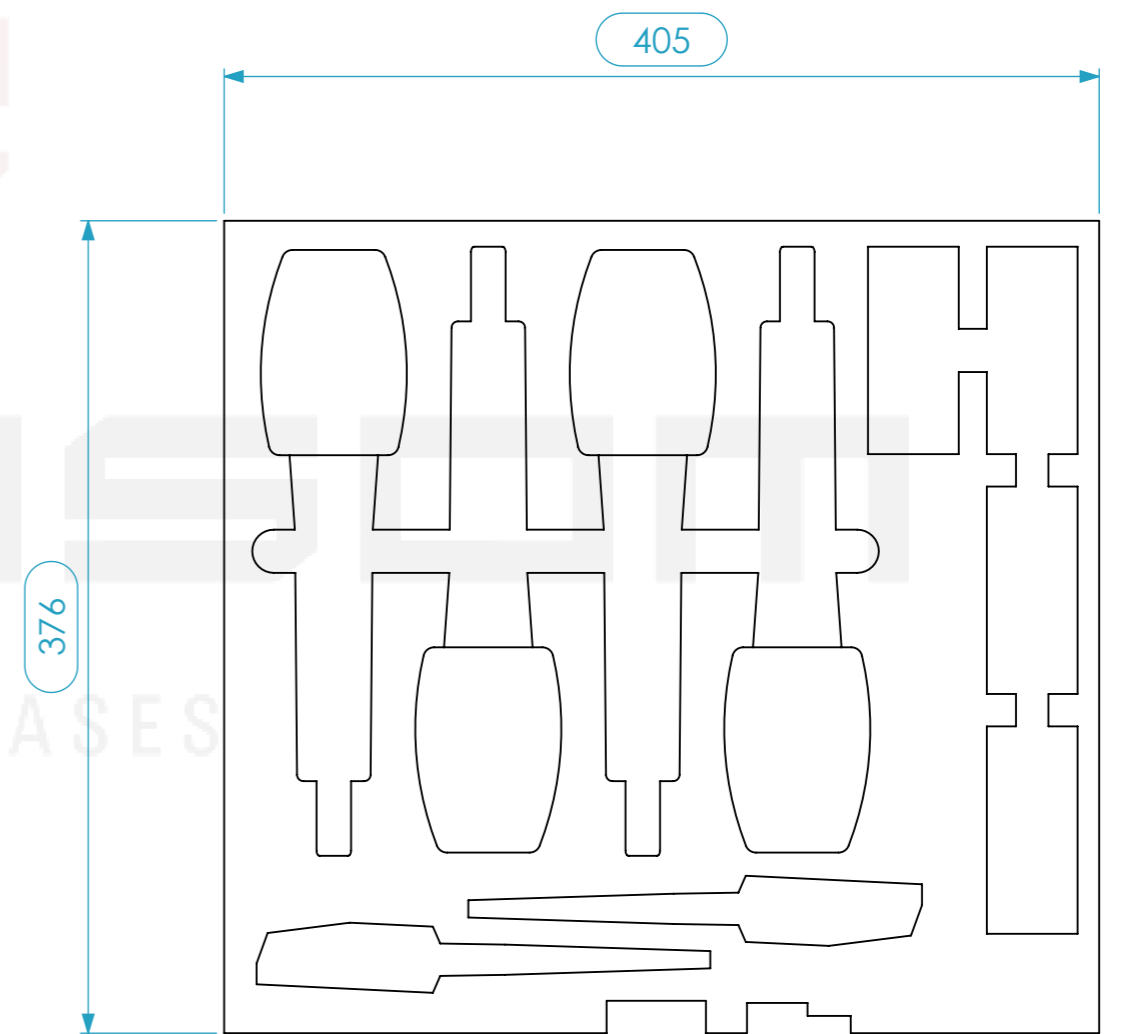
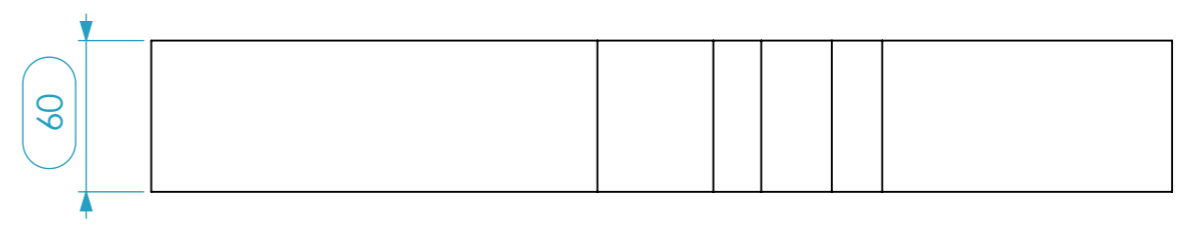
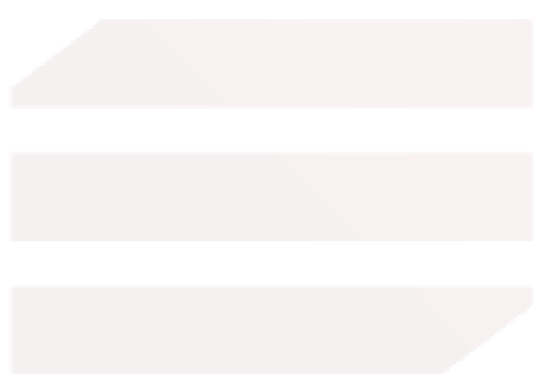
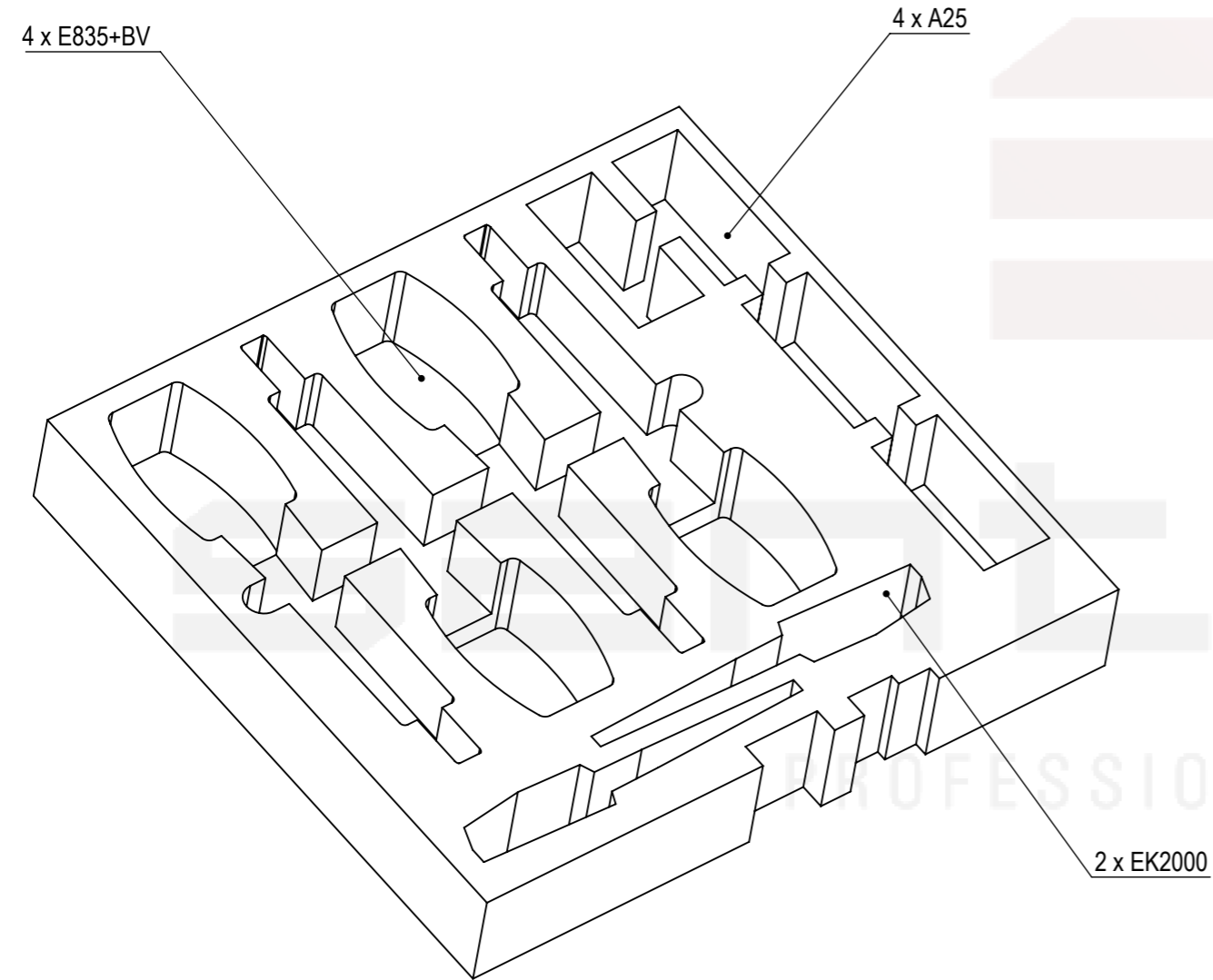


Weight	Approx. 0.16 Kg
Foam Thickness	60mm



Drawn by	Name	Date
CarlaSilva	CarlaSilva	22/01/2018
Reference	EHK.214	
Scale	units in mm	general tolerance
1:3.5	DO NOT SCALE	0.8mm
EHD 2UJ, SENNHEISER 4 SE2.B + 2 SE1 + 4 A25		



This drawing must not be copied or disclosed without consent of the owner



A3