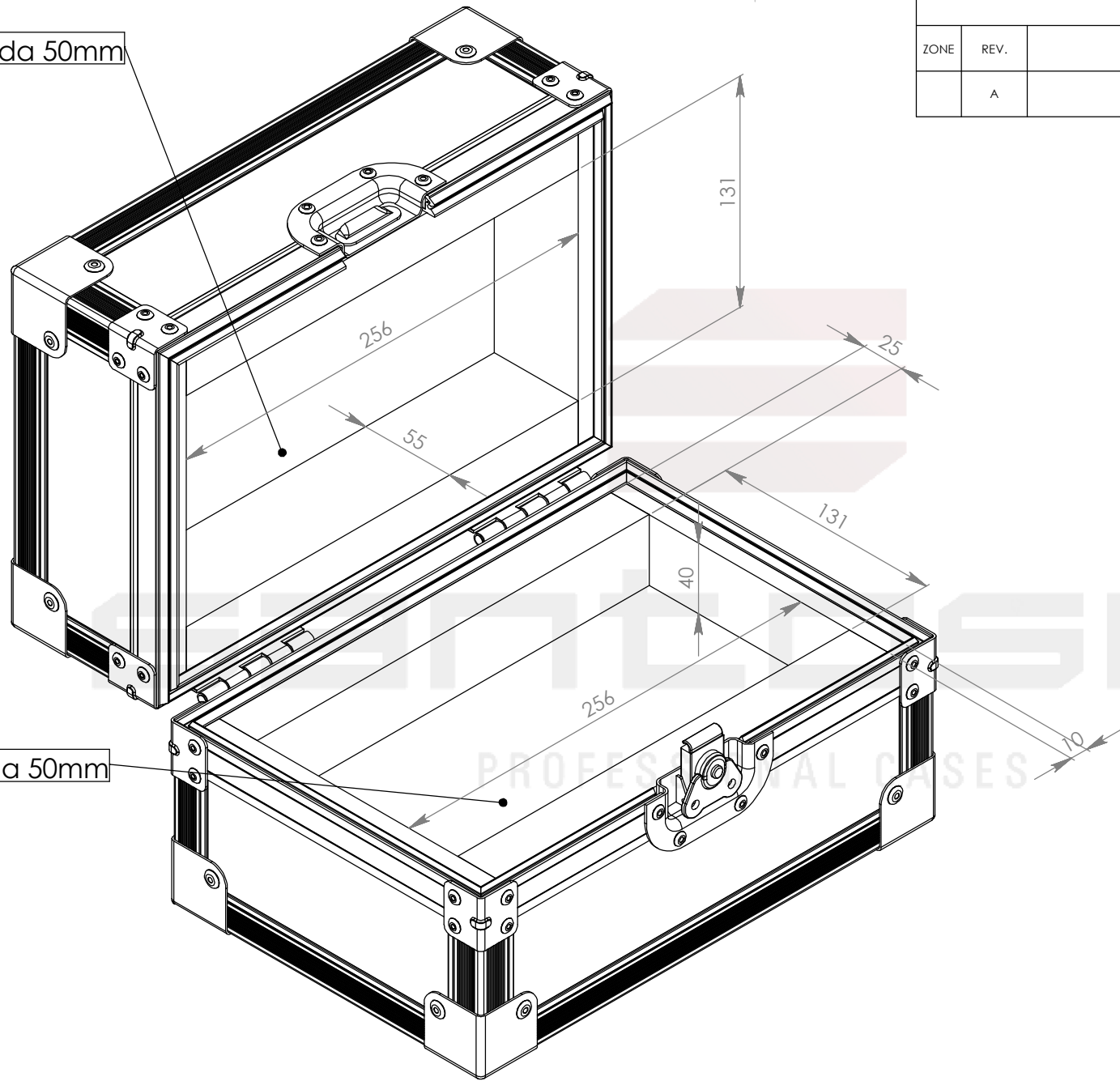


Perfilada 50mm

Perfilada 50mm



| REVISIONS | | | | |
|-----------|------|---------------|------------|------------------|
| ZONE | REV. | DESCRIPTION | DATE | APPROVED |
| | A | Final Drawing | 17/12/2015 | Carlos Rodrigues |

SANTOSOM
PROFESSIONAL CASES

A3 This drawing must not be copied or disclosed without consent of the owner

| | | |
|----------------------|-------------------------|-------------------------|
| Drawn by | Name | Date |
| Telmo Santos | | 17/12/2015 |
| Reference | EHD.V.143 | |
| Scale | units in mm | general tolerance 0.8mm |
| 1:7 | DO NOT SCALE | |
| 1st Angle projection | EHD, PANASONIC ET-ELT02 | |

