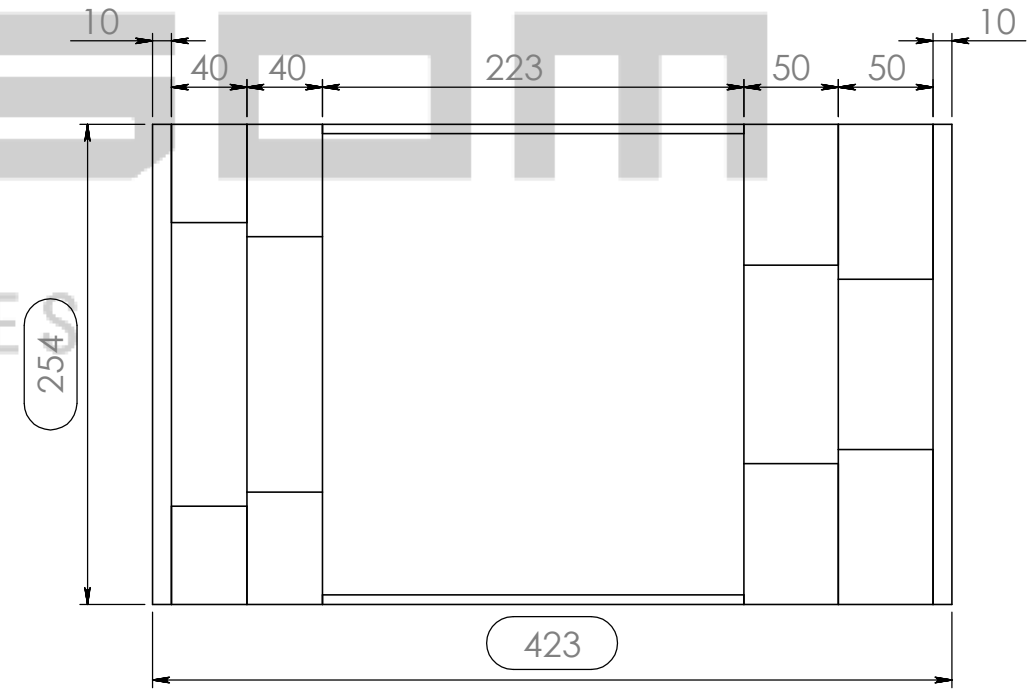
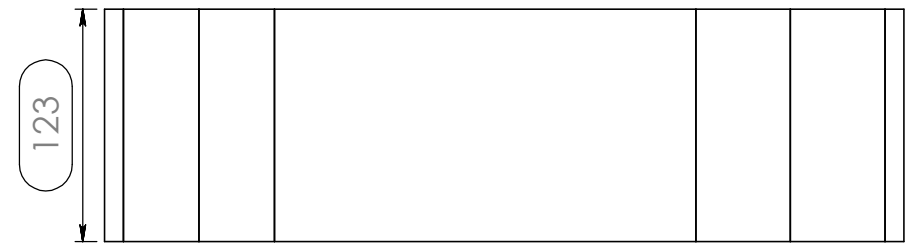
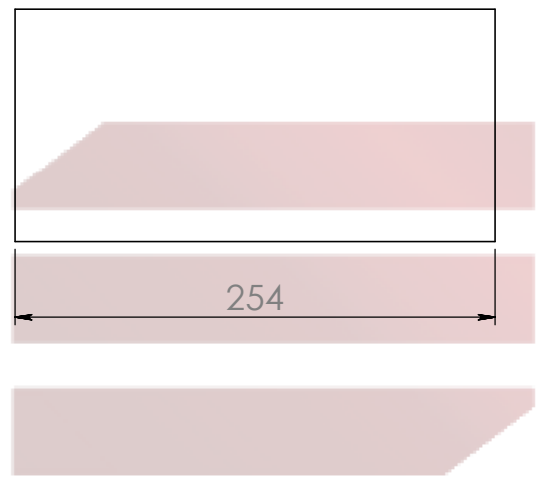
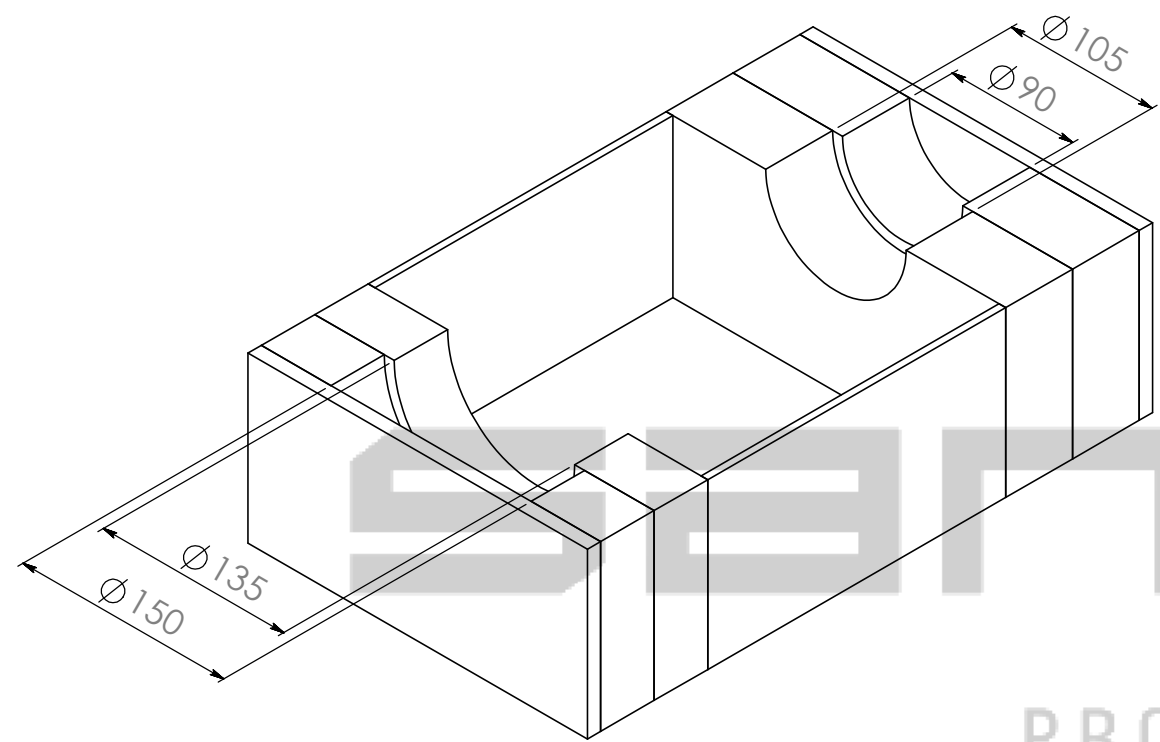


# Max. dimensions equipment

Length	Width	Height
423	254	123

## Revision Table

Index	Rev.	Description	Date	Draw
-	-	Final Drawing	05/09/2013	Daniel Lopes



**santosom**  
PROFESSIONAL CASES

Drawn by	DanielLopes	Date	05-09-2013
Reference	EHD.AV.126		
Scale	1:4	units in mm	general tolerance 0.5mm
1st Angle projection		000000 1.3 - 1.6, CE LENS.120	



This drawing must not be copied or disclosed without consent of the owner

A3