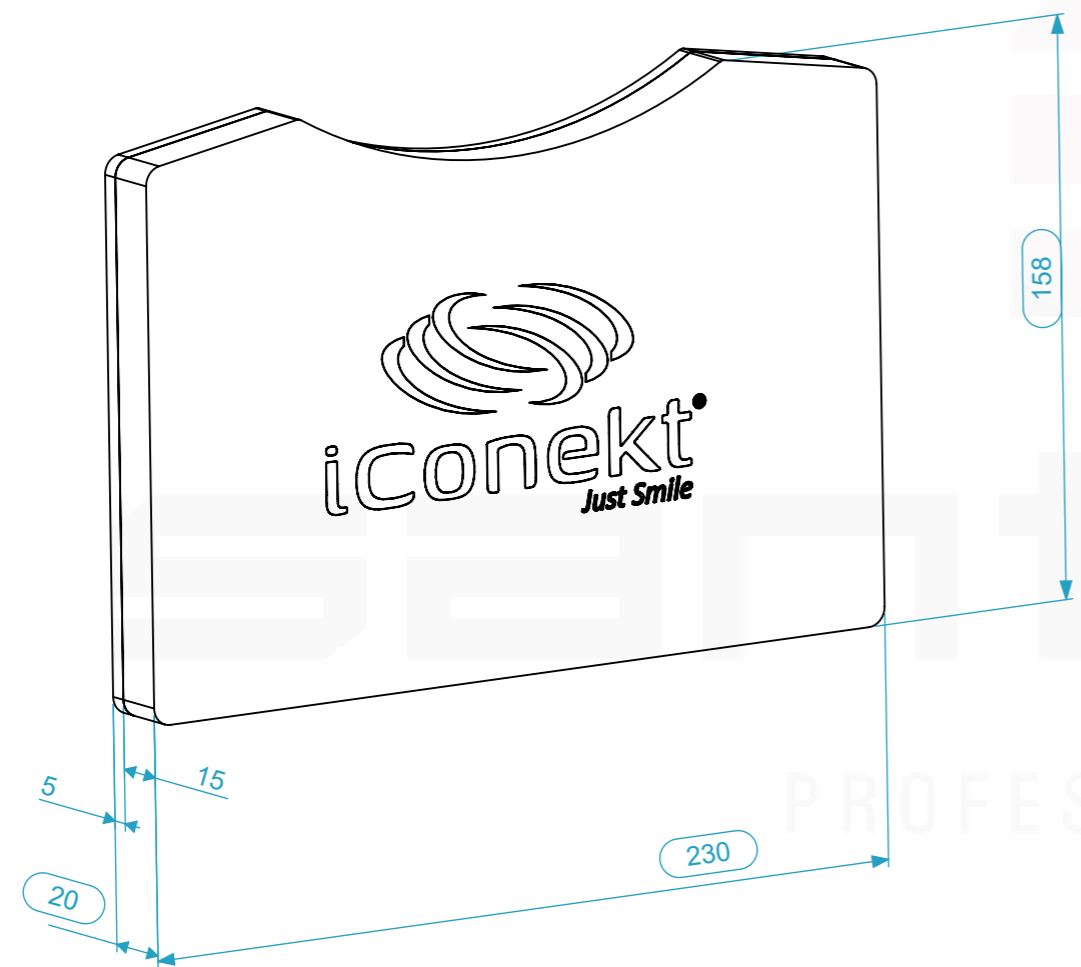
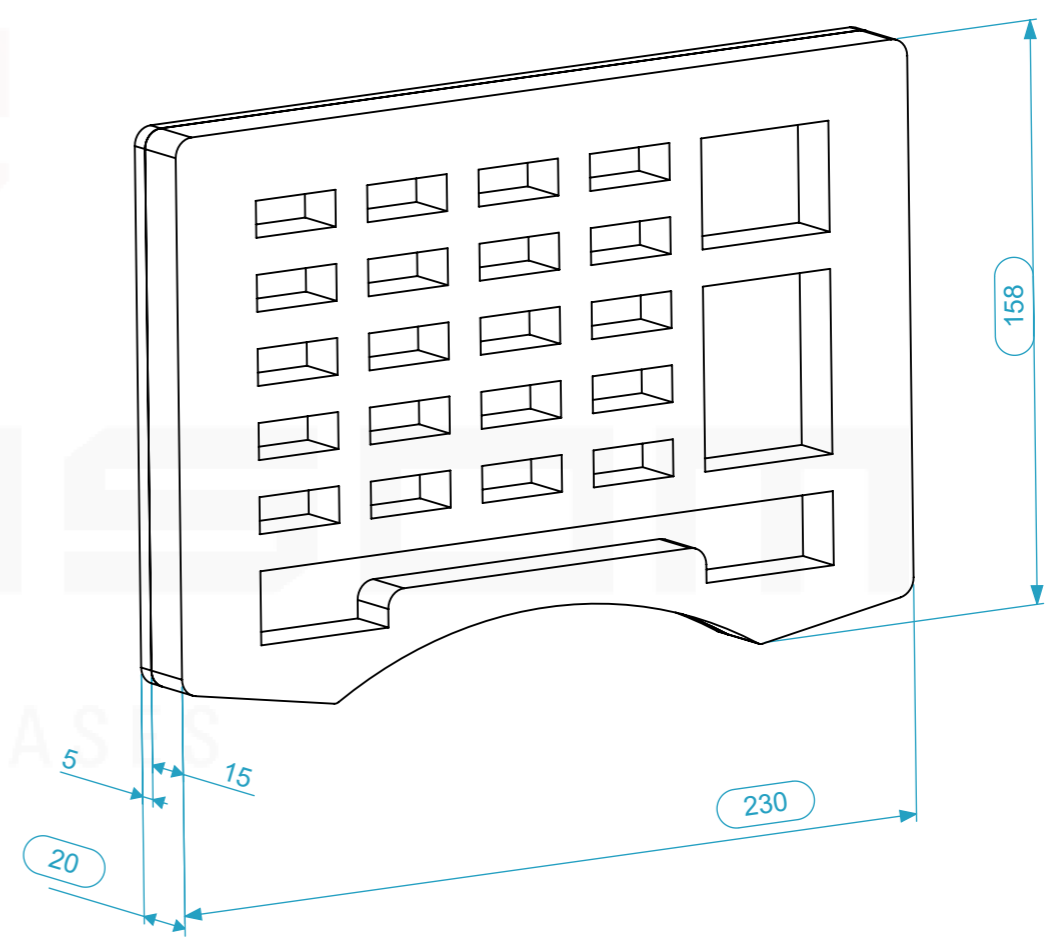


LID FOAM WITH LASER ENGRAVING



BASE FOAM



General External Dimensions	
W	Width
D	Depth
H	Height

	Name	Date
Drawn by	CarlaSilva	30/03/2020
Reference	EHD.T201A	
Scale	units in mm	general tolerance
	1:2	0.8mm
1st Angle projection	Espuma TEK 2	
	22 espaços +plnça	



A3 This drawing must not be copied or disclosed without consent of the owner