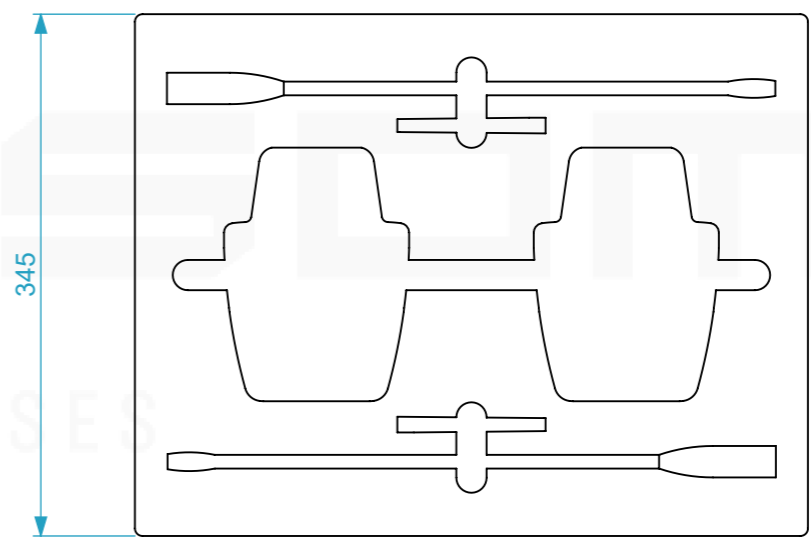
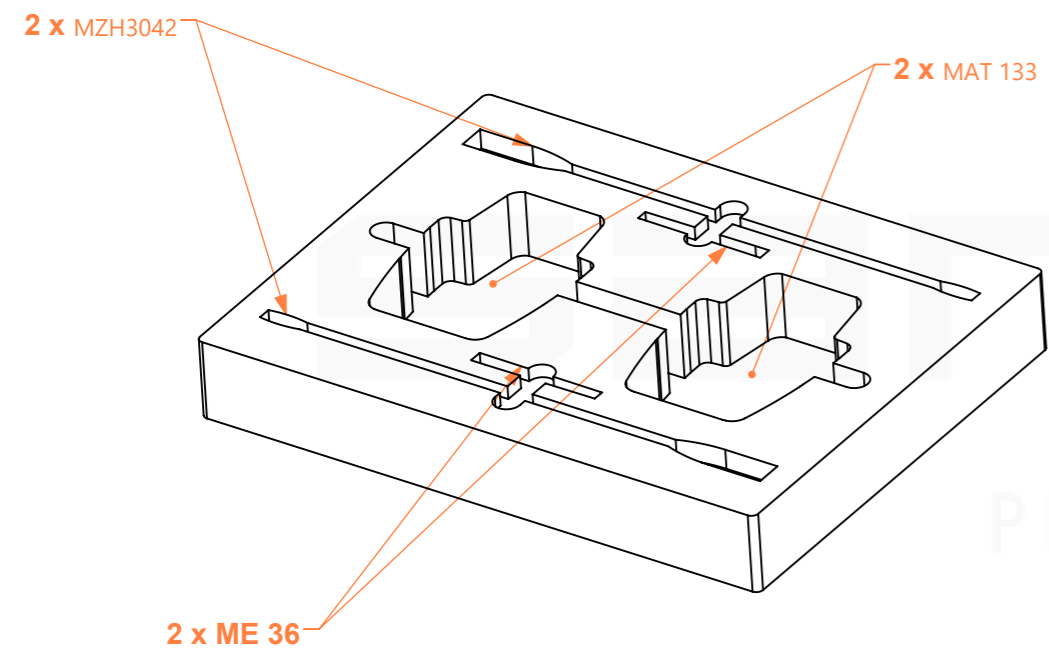
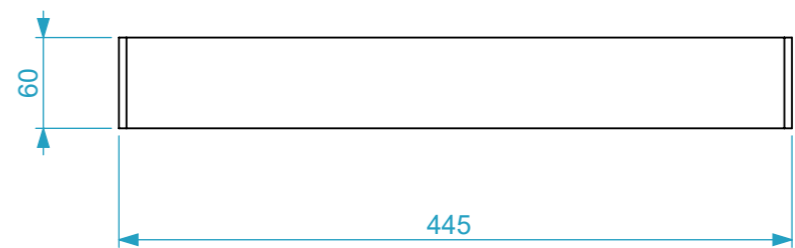
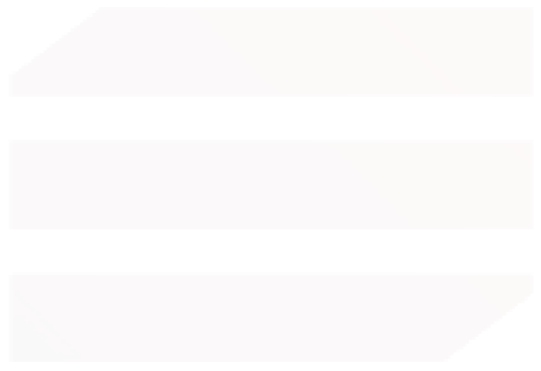


Foam Dimensions		
Width	Depth	Height
445	345	-
Weight	Approx. 0.21 Kg	
Wall Thickness		60mm



PROFESSIONAL CASES

General External Dimensions	
W	Width
D	Depth
H	Height

Name	Date
CarlaSilva	06/05/2019
Reference	EHD.167
Scale	1:5
units in mm	general tolerance 0.8mm
EHD 2X SENNHEISER MZH3062	



This drawing must not be copied or disclosed without consent of the owner



A3