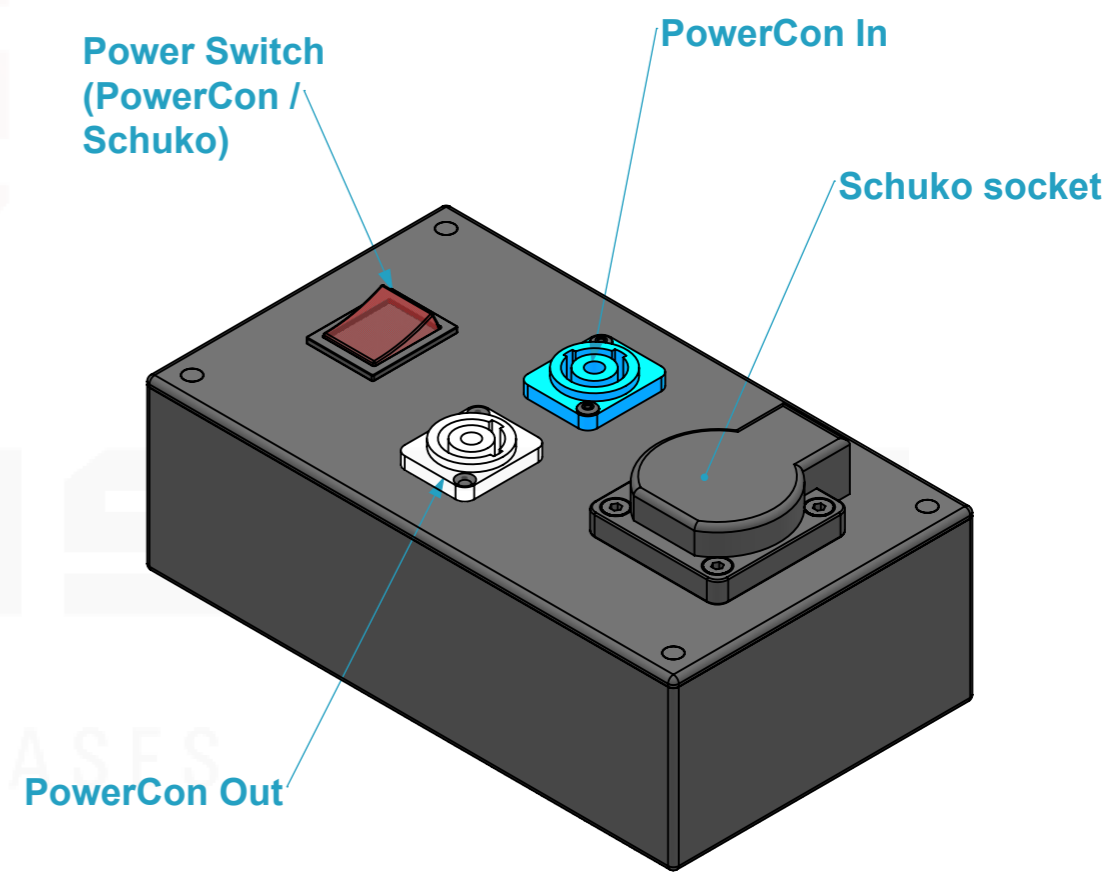
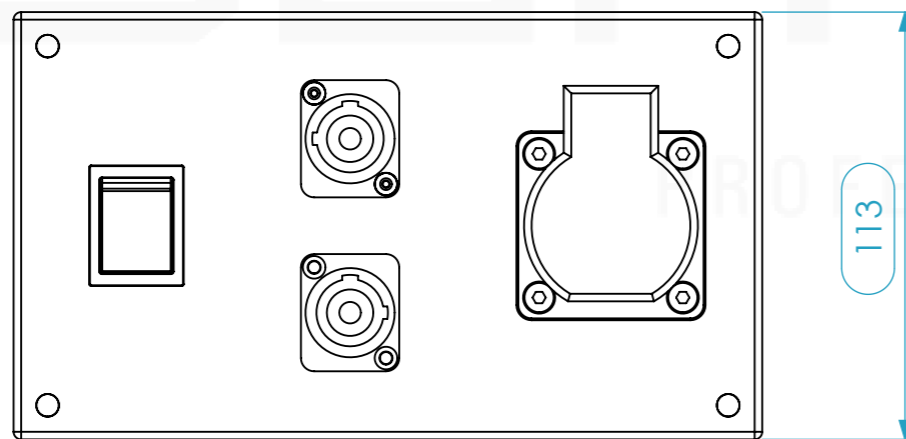
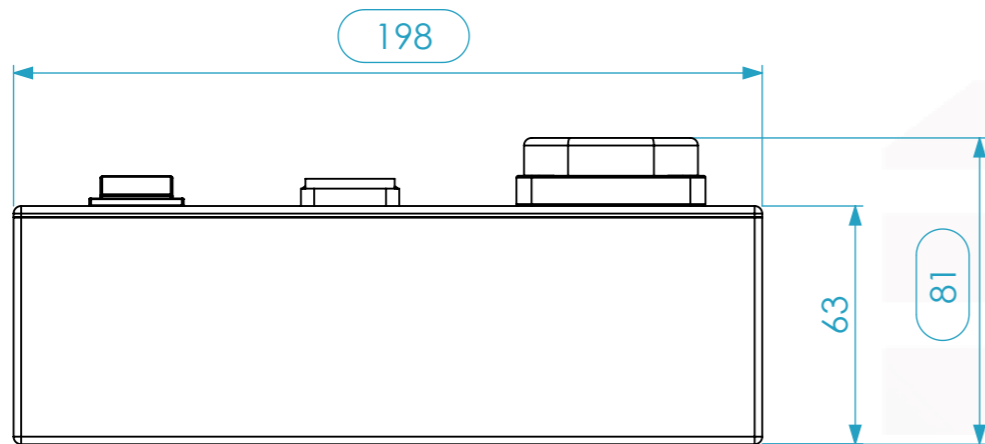


Dimensions (Max.)

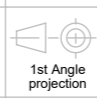
Width	Depth	Height
198	113	81
Weight	Approx. 0.16 Kg	



Drawn by	alexandre	Date	14-10-2019
Reference	EC.105		
Scale	1:2	units in mm	DO NOT SCALE
		general tolerance	0.8mm
KIT de ligações case, powercon in/out + schuko + botão			



This drawing must not be copied or disclosed without consent of the owner



A3