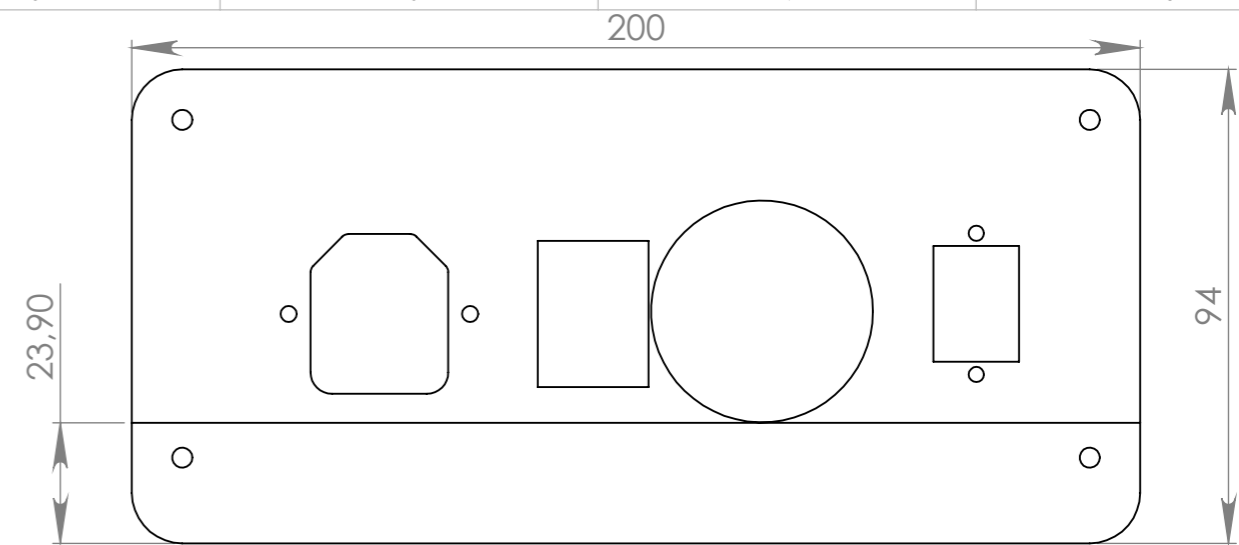
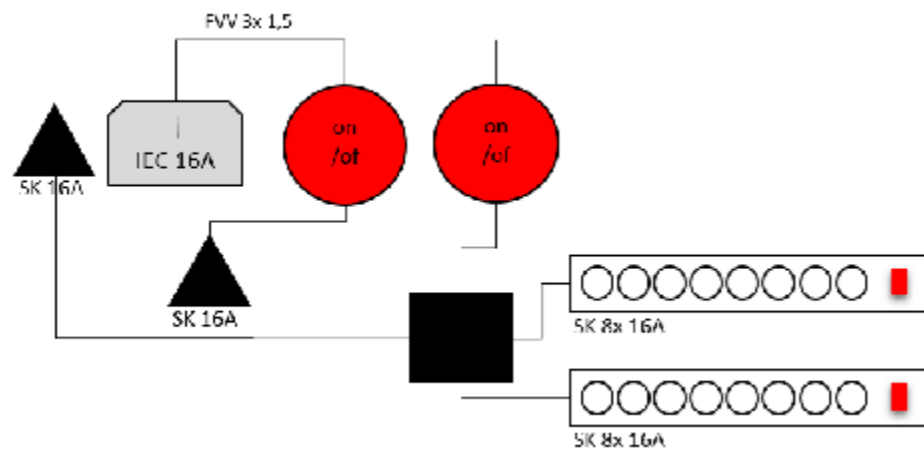


Ligações:



BARRA LIGADORES C/ PARAFUSOS 6MM
REF: EC.LIG01

REF: EC.SHU03.13 MULTITOMADA SCHUKO 6

Aplicar porcas de bussola

Tabua Fichas

Ficha RJ45/RJ45 Painel

Tomada PCE, Enc. IP44 16A 2P+T Schuko - azul
REF: PC1050

INTERRUPTOR DUPLO LUMINOSO ON-OFF 250V/15A
REF: EC.INT03

FICHA IEC MACHO PAINEL LIG-TERMINAL C/ PORTA FUSÍVEL
REF: CEC.002.01

CAIXA DE DERIVAÇÃO ESTANQUE IP56 120X80X50
REF: EC.CX120

Name	Date
Drawn by: telmosantos	14/03/2017
Reference: EC.100	
Scale: 1:8	units in mm
DO NOT SCALE	general tolerance 0.8mm
KIT LIGAÇÃO, IEC + 2X SHUKO 8IN + RJ45	

This drawing must not be copied or disclosed without consent of the owner

