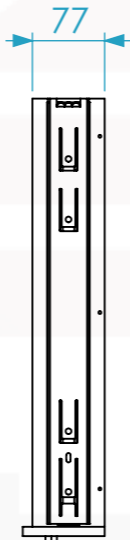


Internal Dimensions

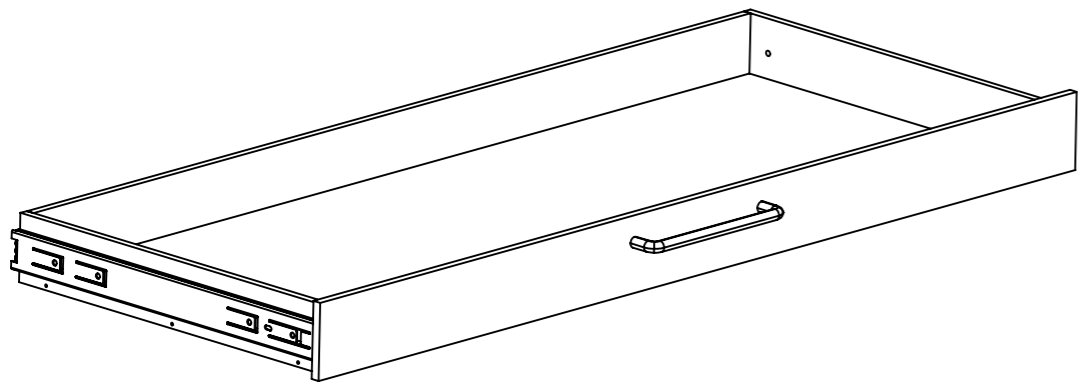
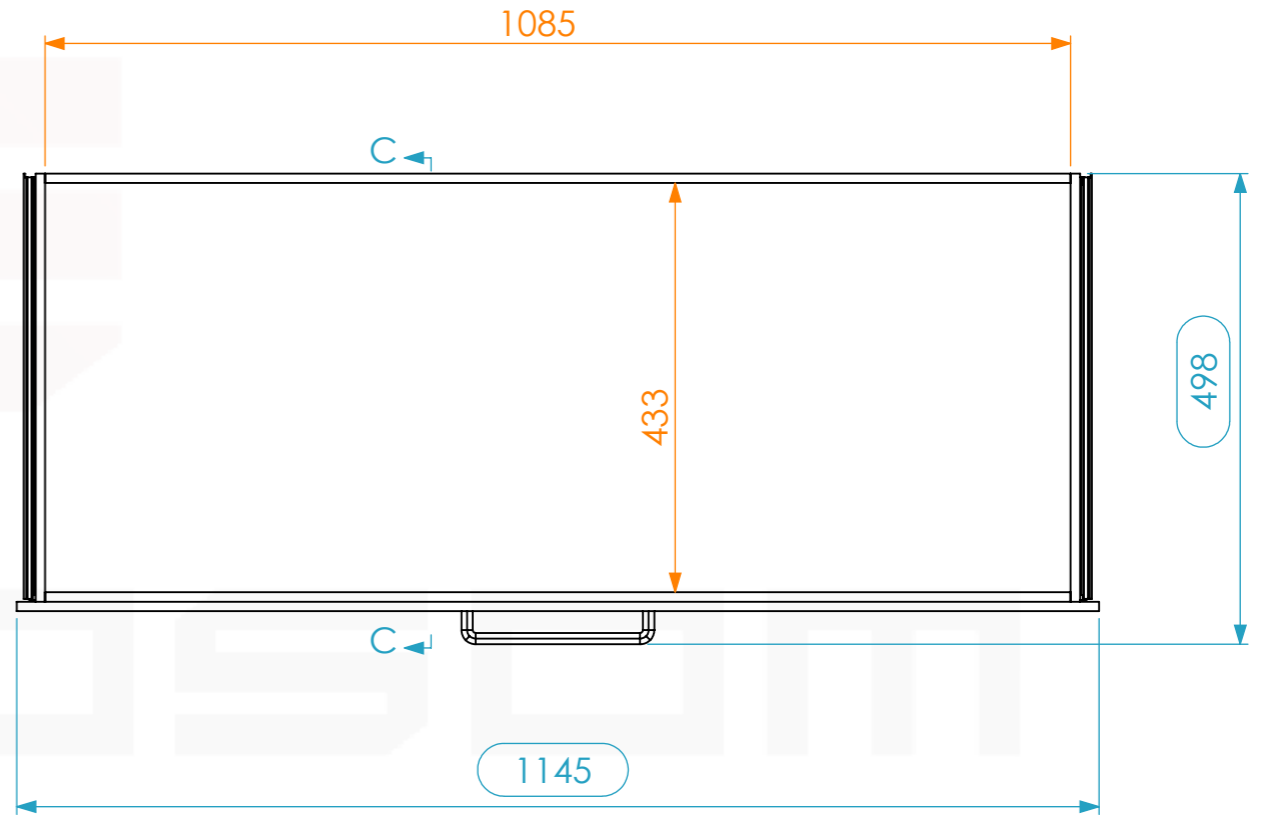
Width	Depth	Height
1085	433	2U
Weight	Approx. 6.25 Kg	
Wall Thickness		mm



C-C



87



General External Dimensions	
W	Width
D	Depth
H	Height
Usable Inner Dimensions	
Wi	Inside Width
Di	Inside Depth
Hi	Inside Height

Name	Date
CarlaSilva	19/06/2024
Reference	DRAW120.02U
Scale	1:8
units in mm	general tolerance 0.8mm
DO NOT SCALE	
GAVETA EM PVC 2U PARA RC	



This drawing must not be copied or disclosed without consent of the owner



A3