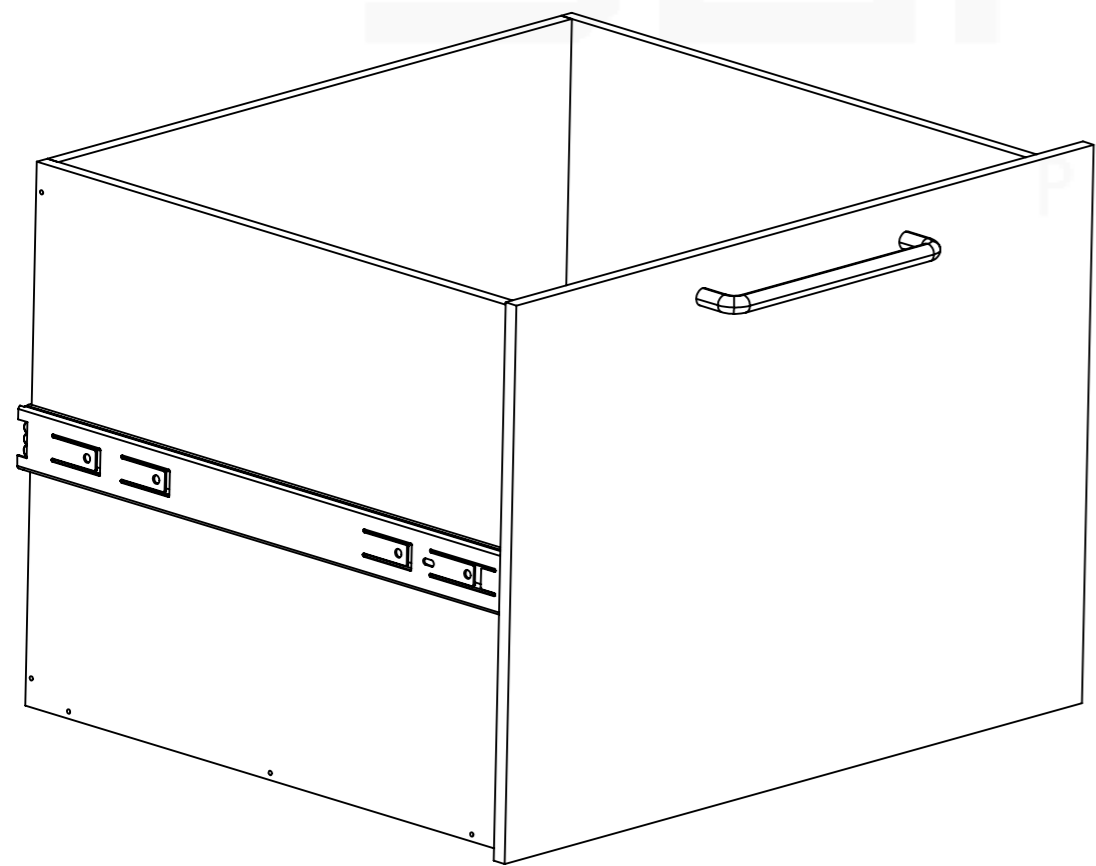
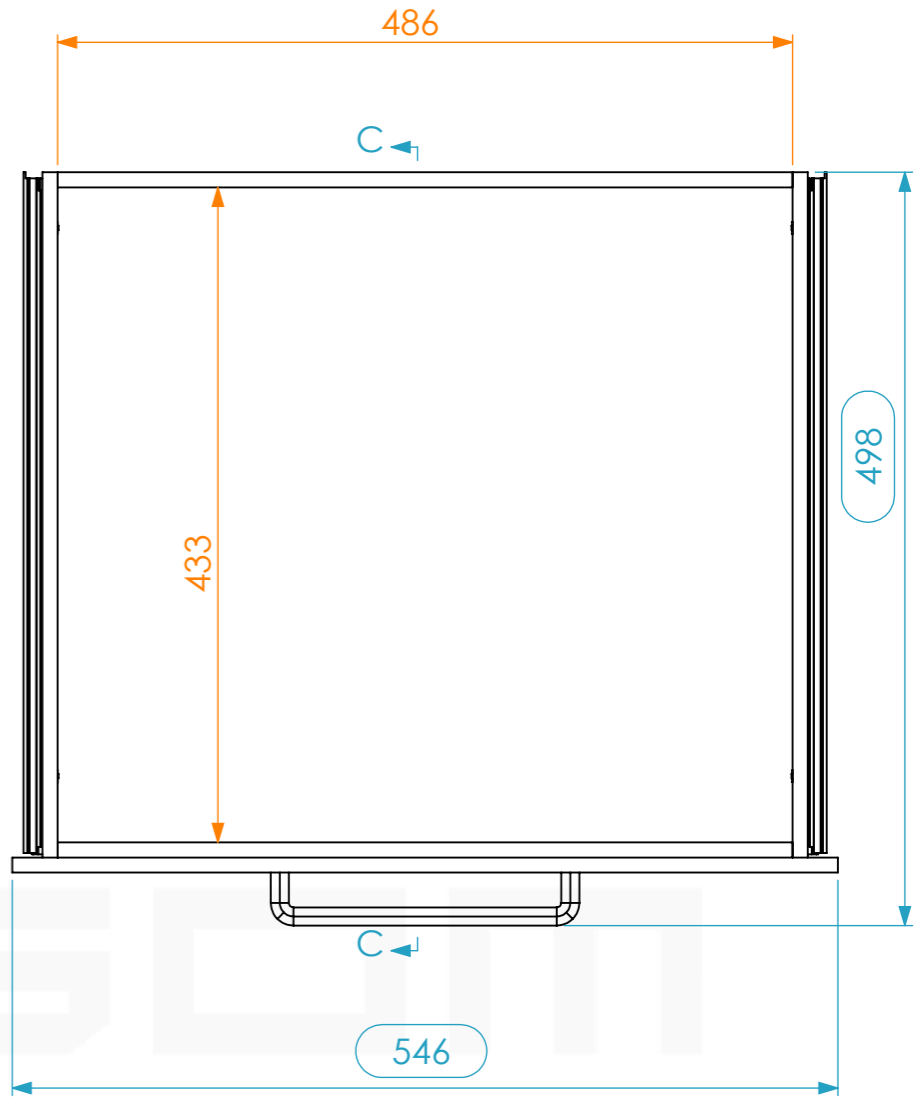
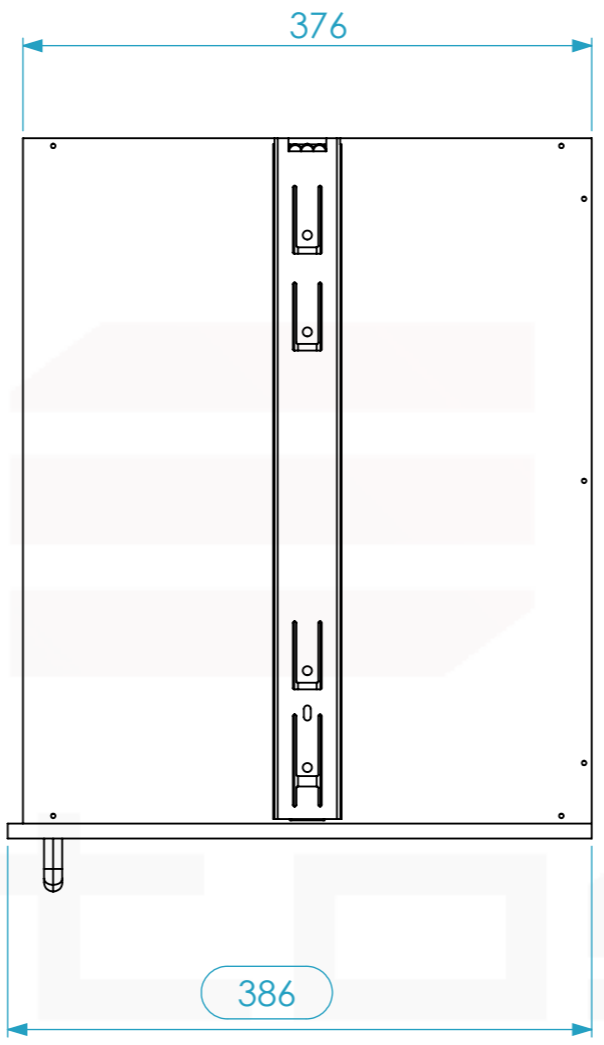
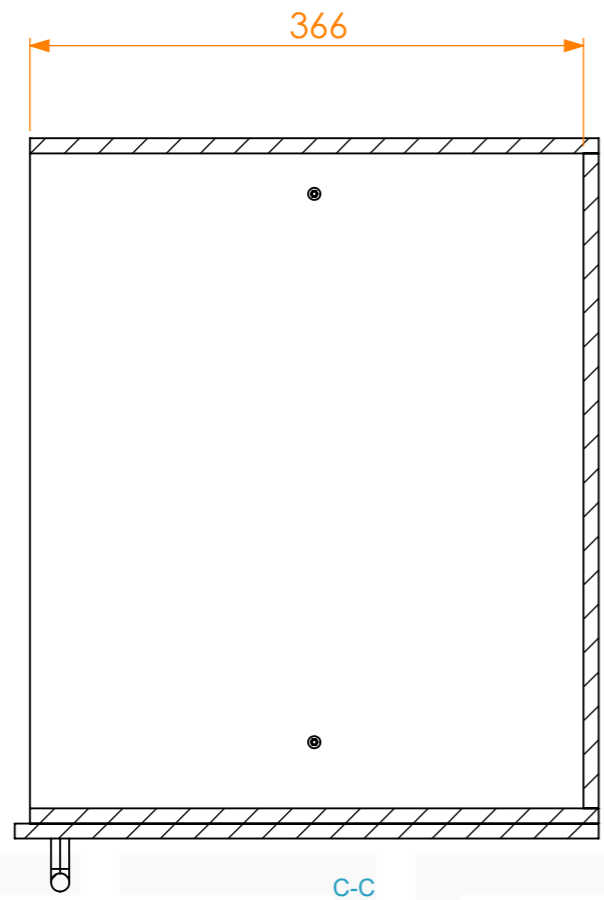


Internal Dimensions		
Width	Depth	Height
486	433	9U
Weight	Approx. 9 Kg	
Wall Thickness	10 mm	



General External Dimensions	
W	Width
D	Depth
H	Height
Usable Inner Dimensions	
Wi	Inside Width
Di	Inside Depth
Hi	Inside Height

Drawn by	Name	Date
CarlaSilva	CarlaSilva	20/01/2025
Reference	DRAW10.09U	
Scale	units in mm	general tolerance
1:5	DO NOT SCALE	0.8mm
GAVETA EM PVC 9U PARA RC		



This drawing must not be copied or disclosed without consent of the owner



A3