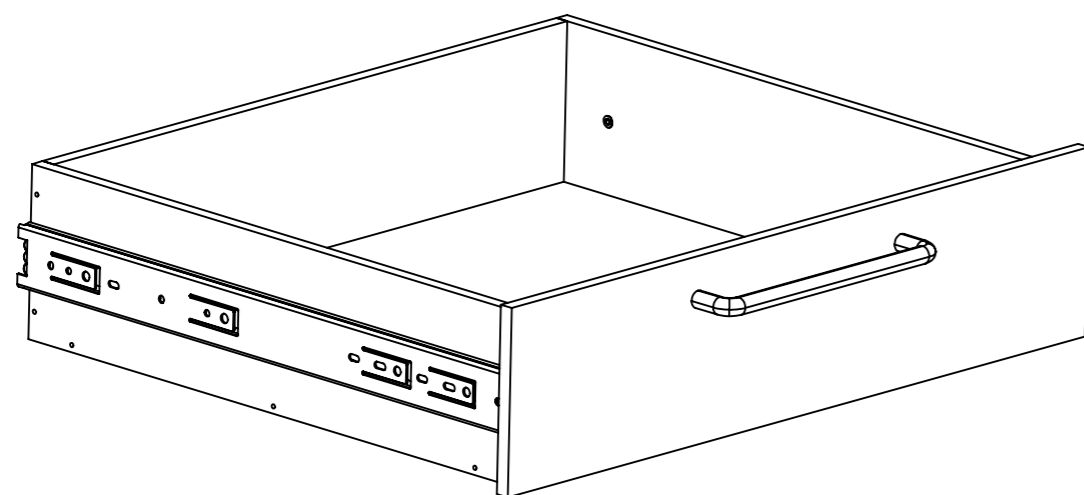
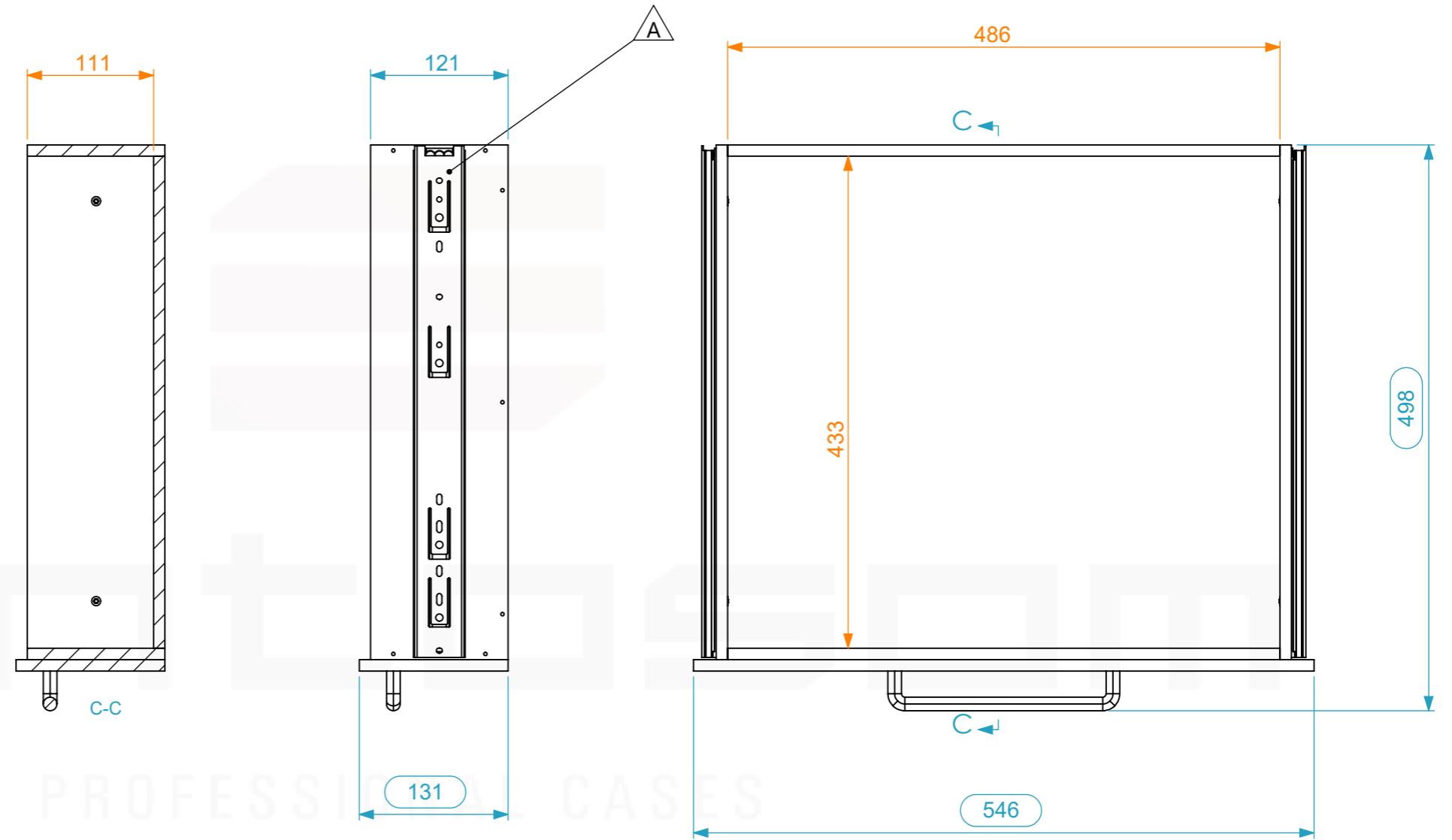


Internal Dimensions		
Width	Depth	Height
486	433	3U
Weight	Approx. 4 Kg	
Wall Thickness		10 mm

Revision Table			
Rev.	Description	Date	Draw
A	Change the runner to ref. SLIDE.RN45.90	23/05/2025	CarlaSilva



General External Dimensions		Usable Inner Dimensions	
W	Width	Wi	Inside Width
D	Depth	Di	Inside Depth
H	Height	Hi	Inside Height

Name	Date
CarlaSilva	23/05/2025
Reference	DRAW10.03U
Scale	1:5
units in mm	general tolerance 0.8mm
DO NOT SCALE	
GAVETA EM PVC 3U PARA RC	



This drawing must not be copied or disclosed without consent of the owner



A3