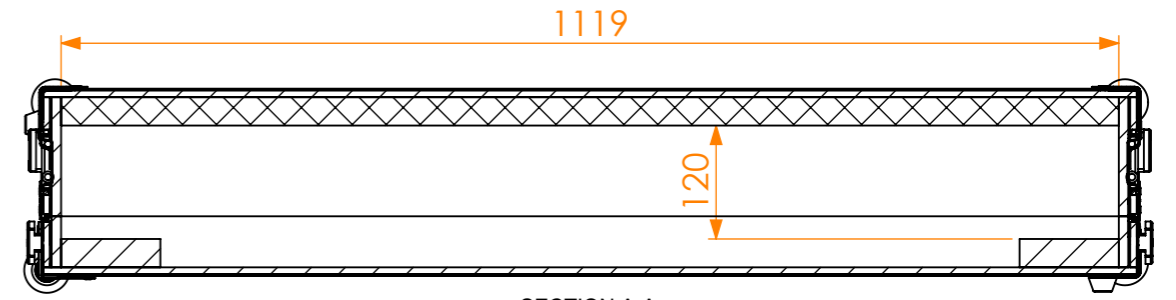
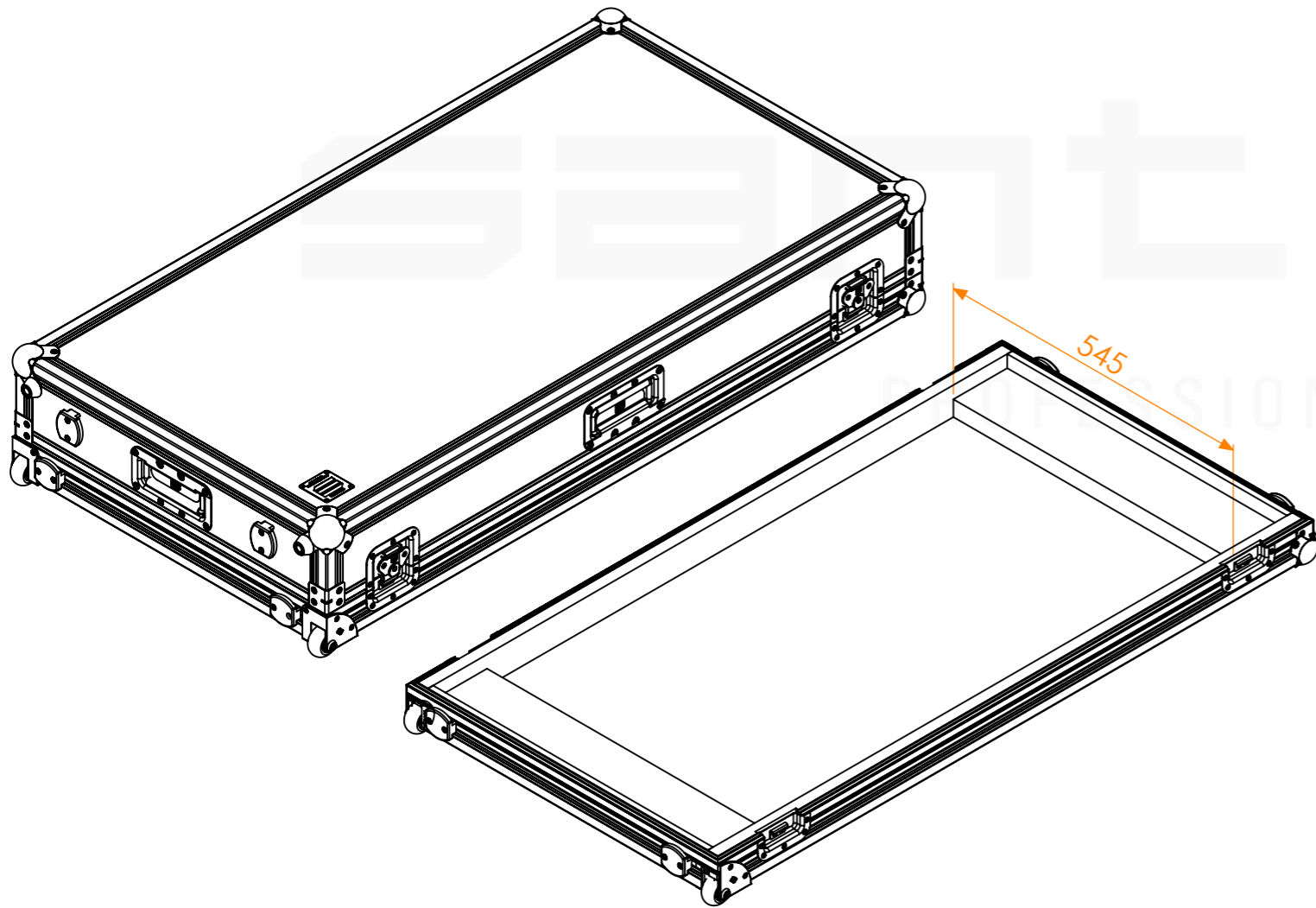
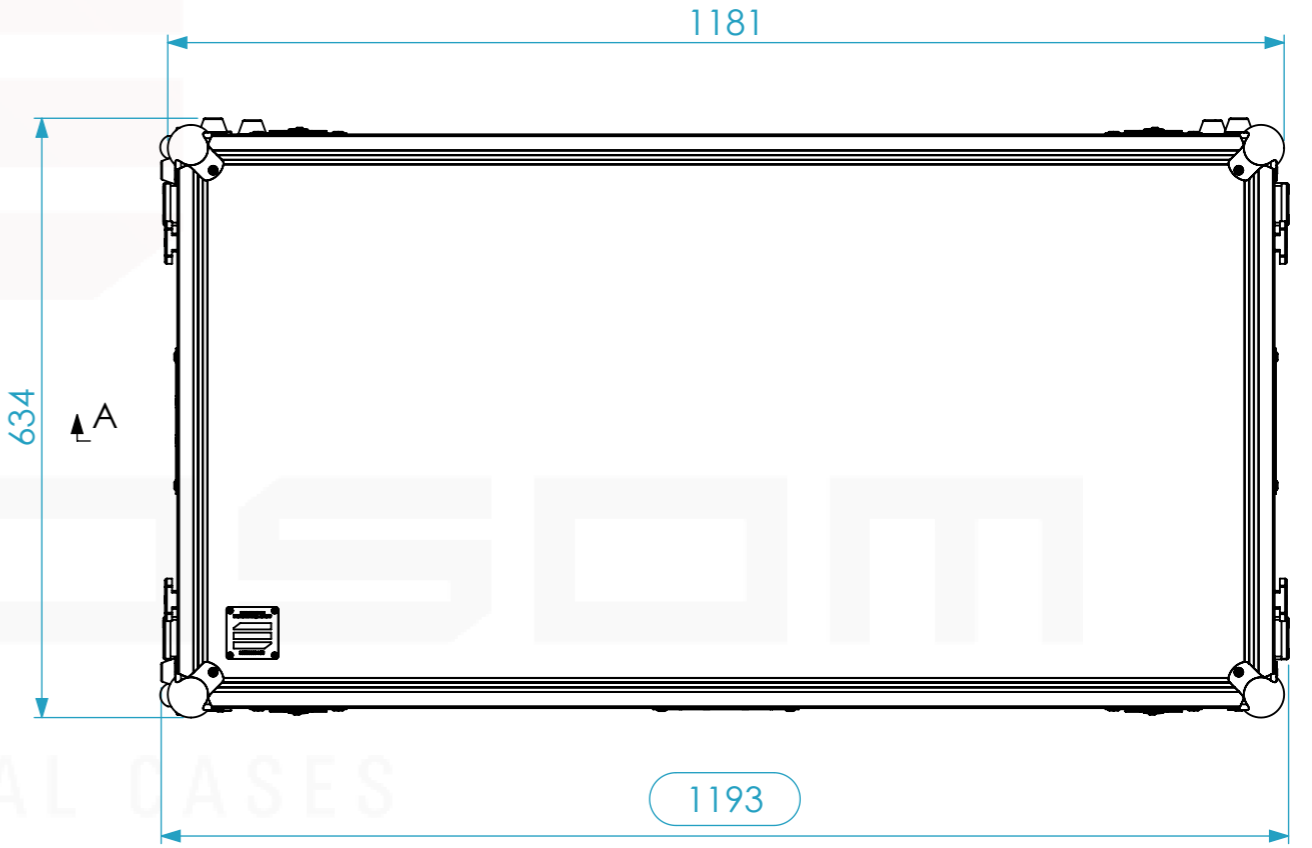
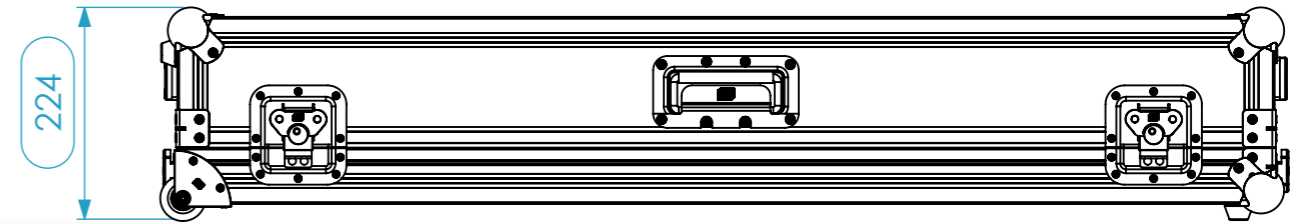
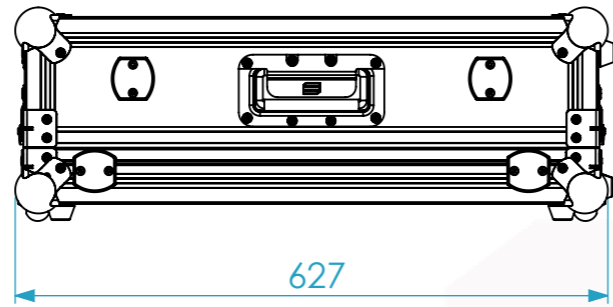


Interior dimensions

Width	Depth	Height
1119	545	120
Weight	Approx. 7 Kg	
Wall Thickness	7mm	

REVISIONS				
ZONE	REV.	DESCRIPTION	DATE	APPROVED
-	1	Final Drawing	13/08/2014	Delfim Alves
-	2	Final Drawing	04-09-2014	Delfim Alves
-	3	Updated dimensions: +10mm in length	26/09/2018	Catarina Duque



SECTION A-A

Drawn by	Name	Date
CatarinaDuque	CatarinaDuque	26-09-2018
Reference	REGI7.1160	
Scale	units in mm	general tolerance
1:8	DO NOT SCALE	0.8mm
FC. 2X CDJ-850 / 900 / 2000 + DJM-2000 PORTATIL - RODAS		



This drawing must not be copied or disclosed without consent of the owner



A3