

**Interior Regi dimensions**

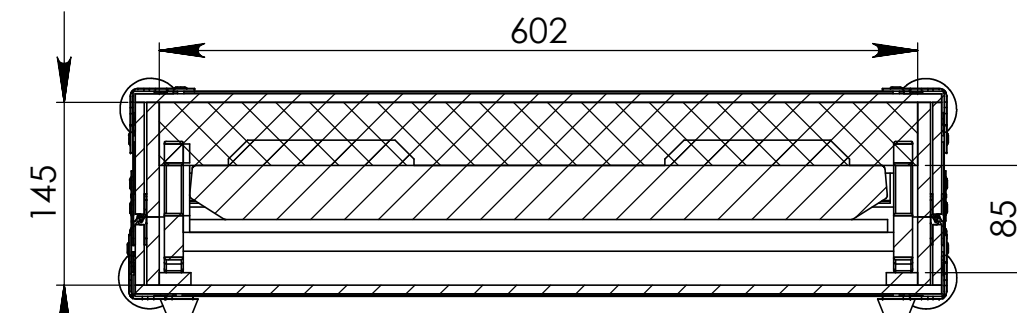
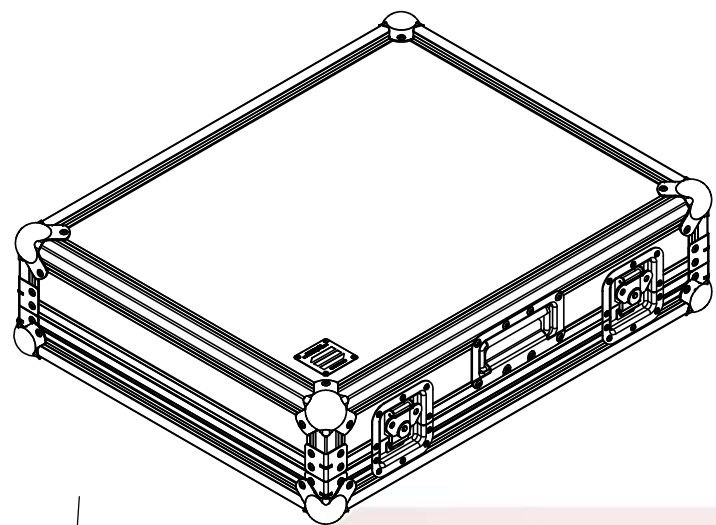
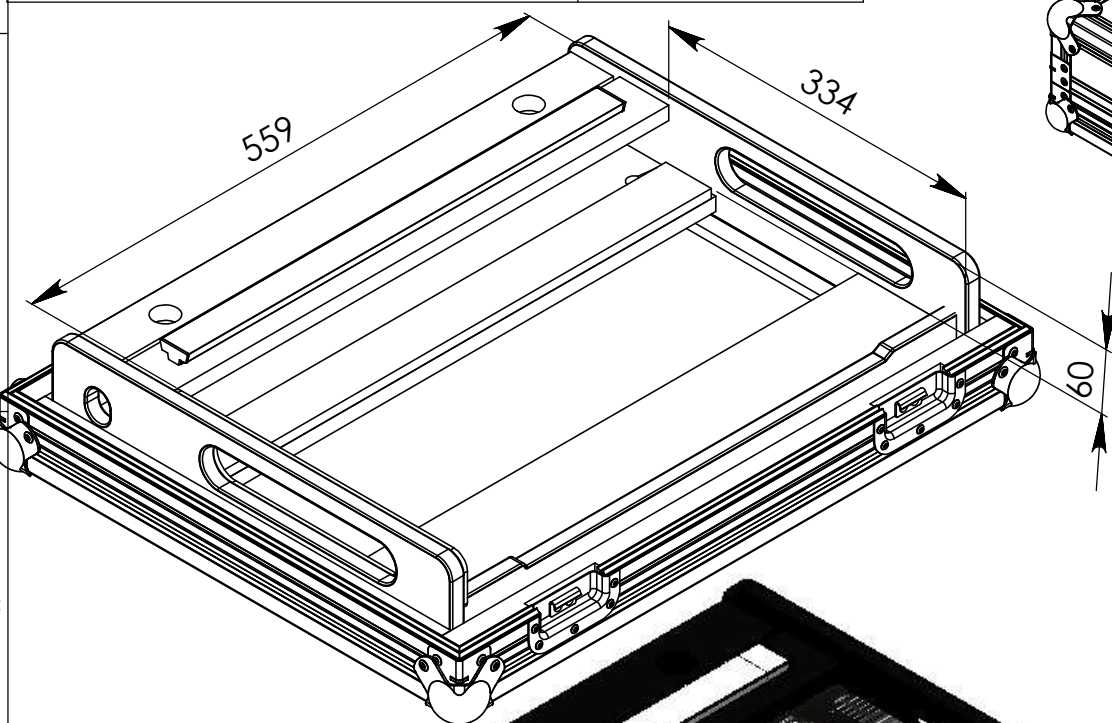
Width	Depth	Height
559	334	60

**Interior Case dimensions**

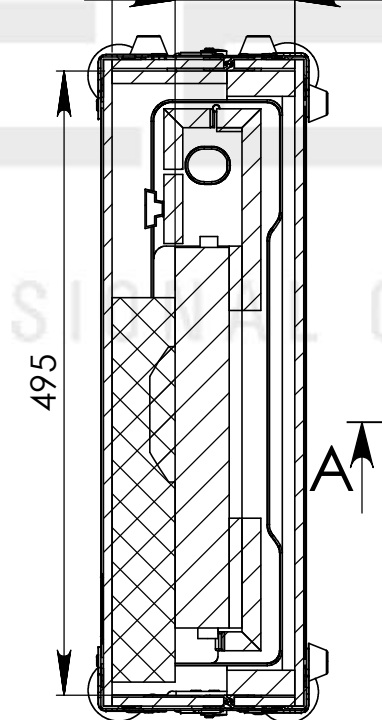
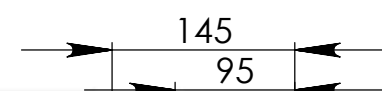
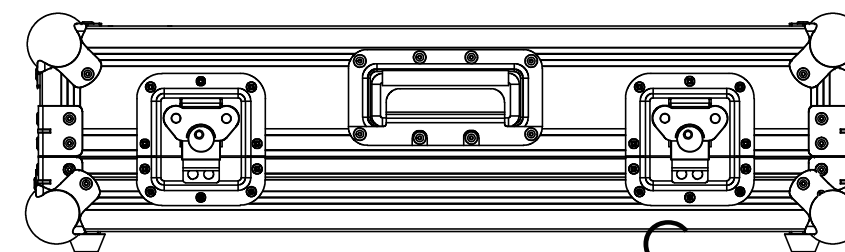
602	495	145
Weight	Approx. 40 Kg	
Wall Thickness	7mm	

REVISIONS

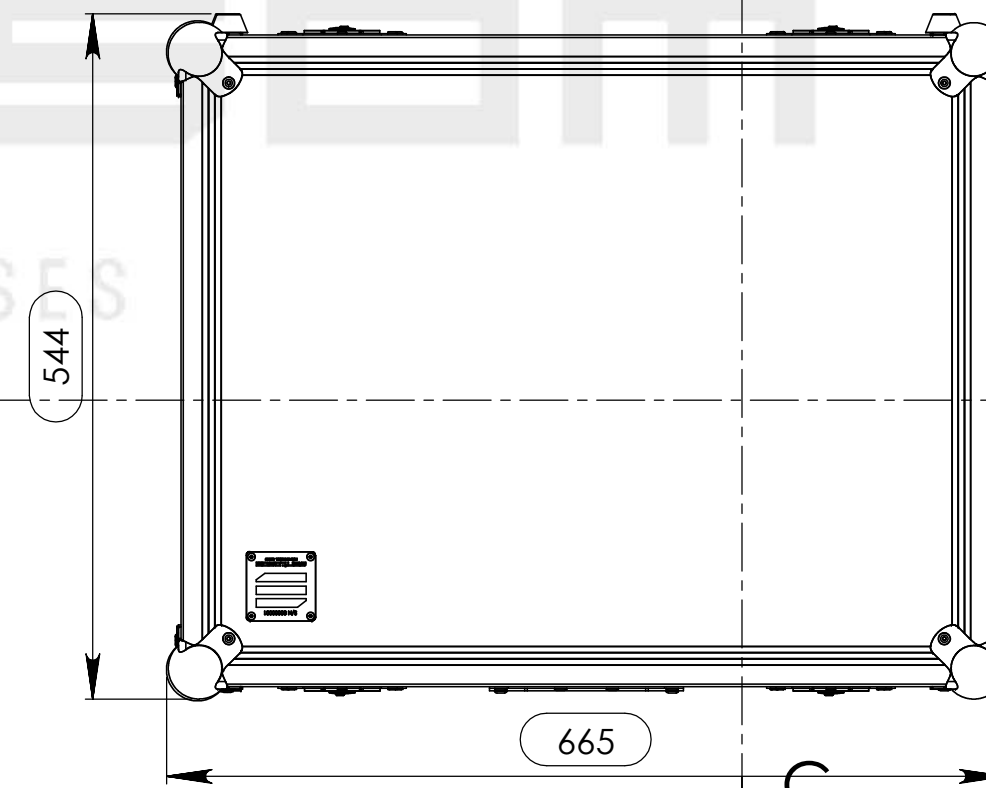
ZONE	REV.	DESCRIPTION	DATE	APPROVED
-	0	Final Drawing	15/05/2015	Carlos Rodrigues



SECTION A-A



SEÇÃO C-C



Hardware	
Qty	Description
8	Large corner bracket f. 35mm case angle
4	Key lockable medium Butterfly special
8	Rubber foot 30 x 15mm, black
2	Wheels 50mm corner
8	Medium ball corner zinc plated
1	Recessed sprung handle - Small

This drawing must not be copied or disclosed without consent of the owner



Scale	1:6	units in mm	general tolerance	0.8mm
Reference	DJR7.058P			
Name		Date		
projects		18/05/2015		
FC, PIONEER DJ CONTROLLER DDJ-SR				

