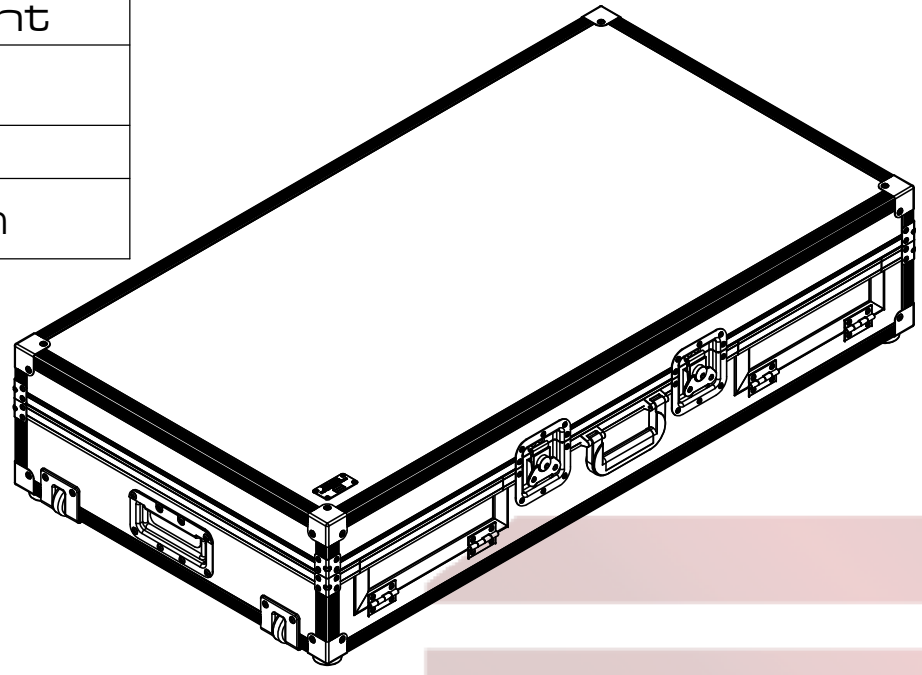
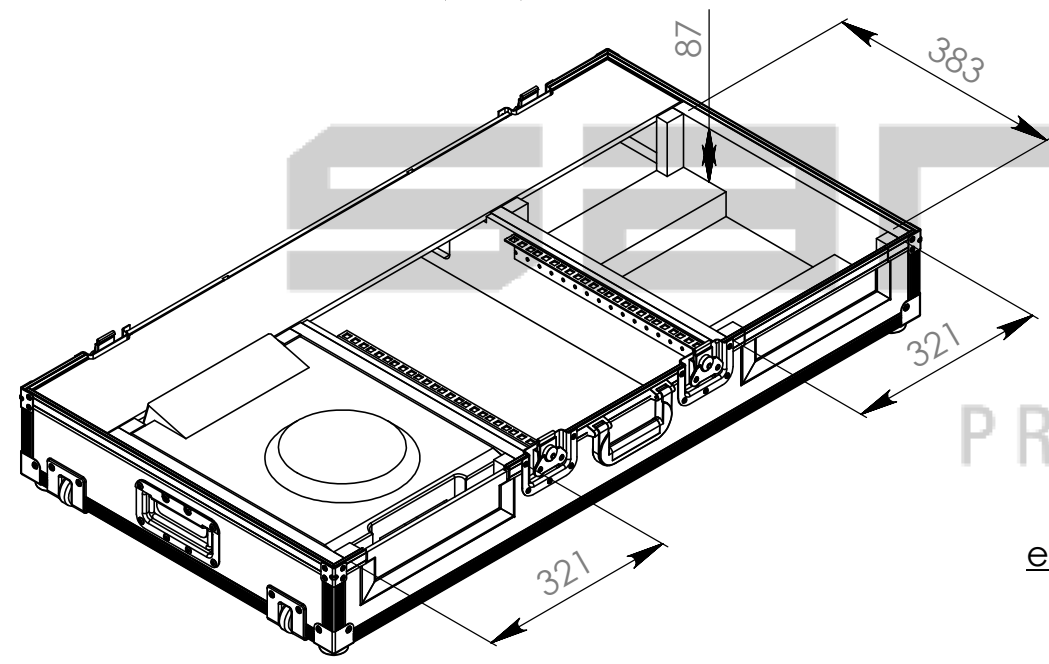
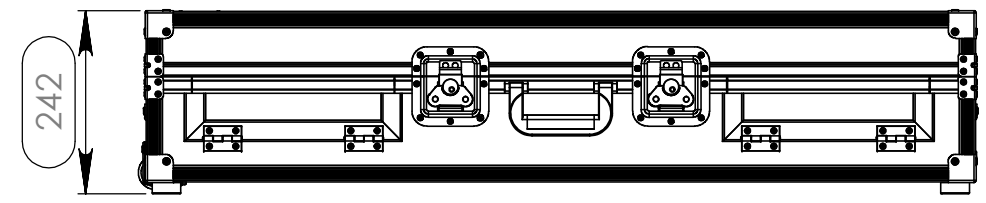
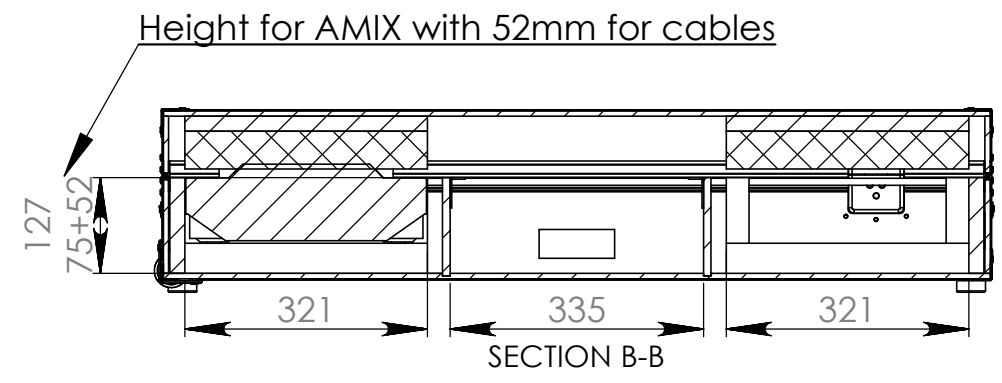
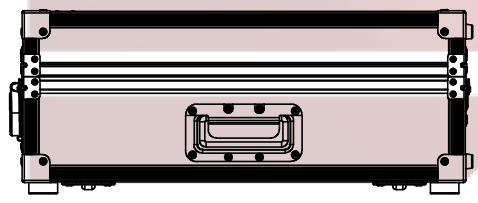
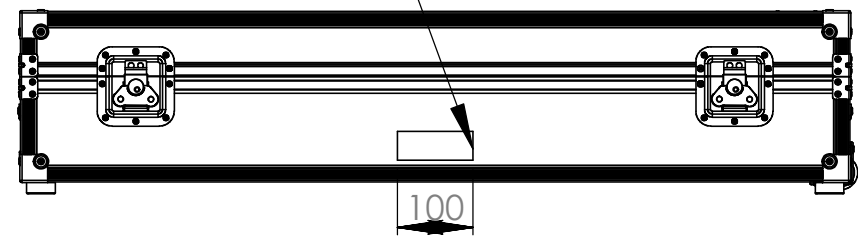


Interior dimensions		
Width	Depth	Height
1076	564	208
Weight	Approx. 14.19 Kg	
Wall Thickness	7mm	



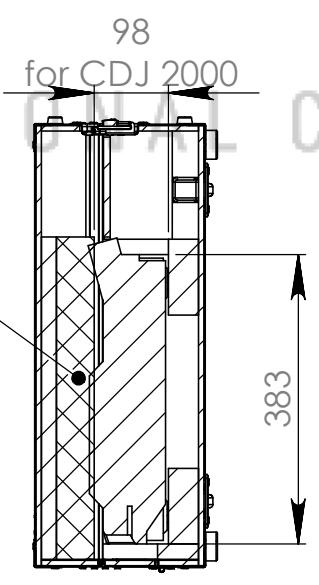
REVISIONS				
ZONE	REV.	DESCRIPTION	DATE	APPROVED
-	0	Preliminary Drawing	23/04/2013	Daniel Lopes
-	1	Changed the interior design	24/04/2013	Daniel Lopes
-	2	Changed the interior dimensions	02/05/2013	Daniel Lopes

cut to connect cables

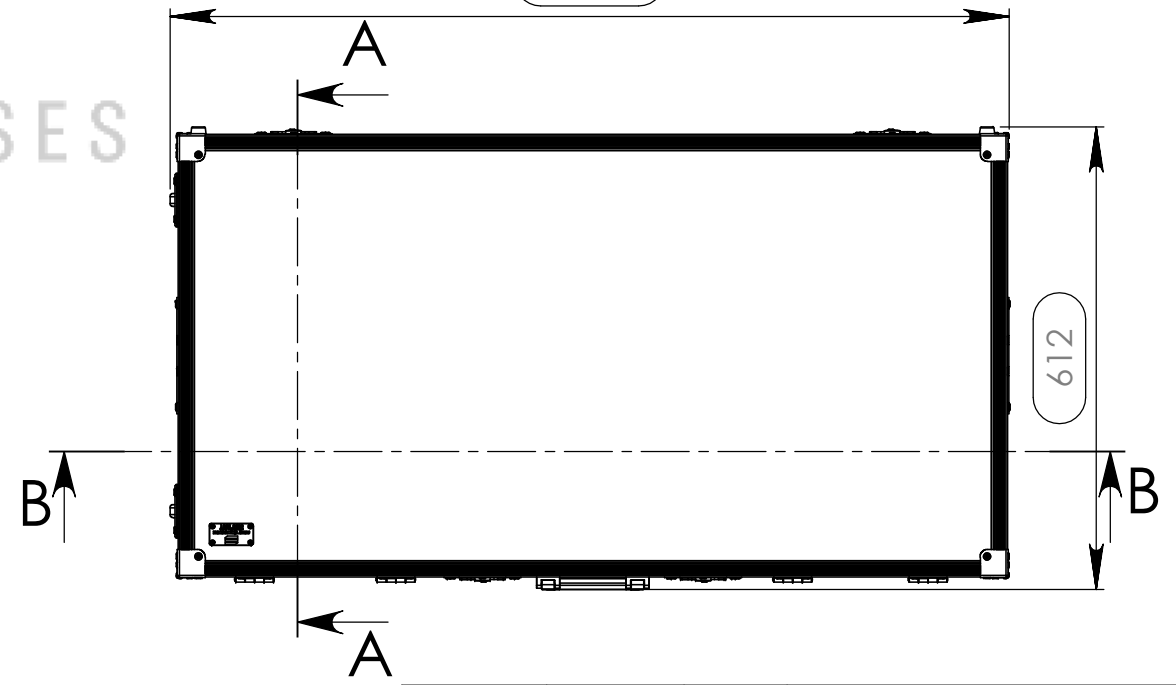


santosom

PROFESSIONAL CASES



eggbox 50mm



Hardware	
Qty	Description
2	50mm/2" Dia Wheel and Housing
4	Key lockable medium Butterfly special
2	Recessed sprung handle - Small
8	Square Case Corner
8	Medium corner-brace zinc plated 1,0mm
4	Rubber foot 20 x 9 mm, black
4	Rubber foot 38mm x 15 mm
1	Chrome plated plastic with soft black plastic insert
4	Hinge small 1,3 mm Steel zinc plated

Drawn by	DanielLopes	Date	02-05-2013
Reference	DJR1.107BR		
Scale	1:10	units in mm	general tolerance 0.5mm
FC. REGIE			
"DENON-SC2900+AMIX-RMC55+DENON-SC2900", RODAS			

This drawing must not be copied or disclosed without consent of the owner

1st Angle projection