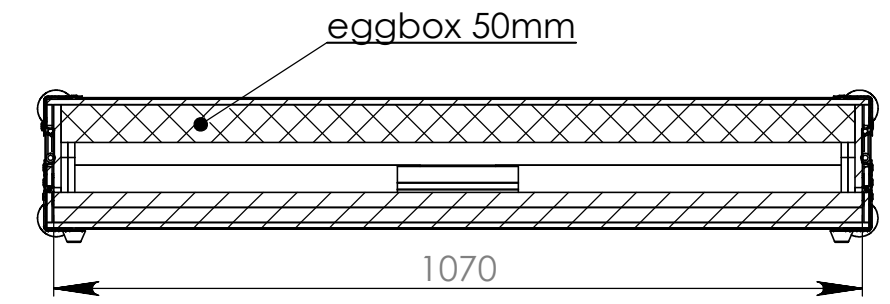
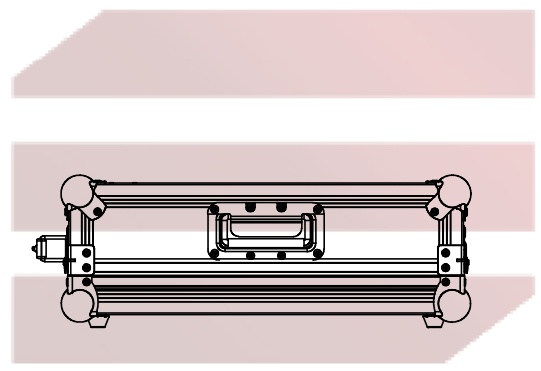
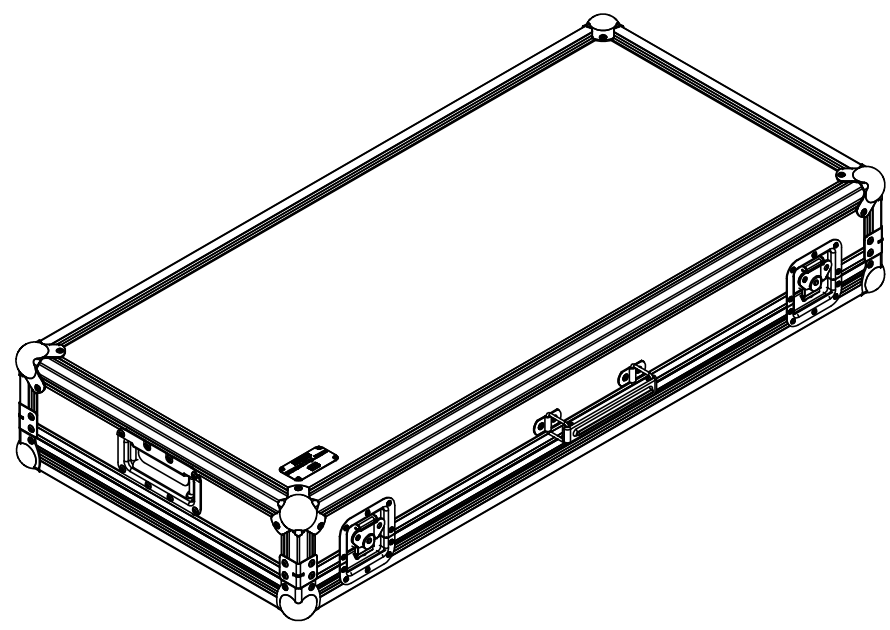
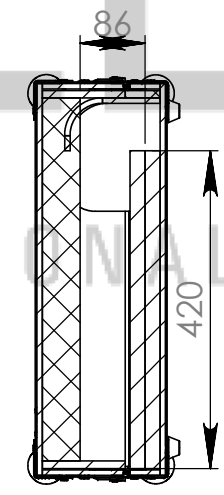
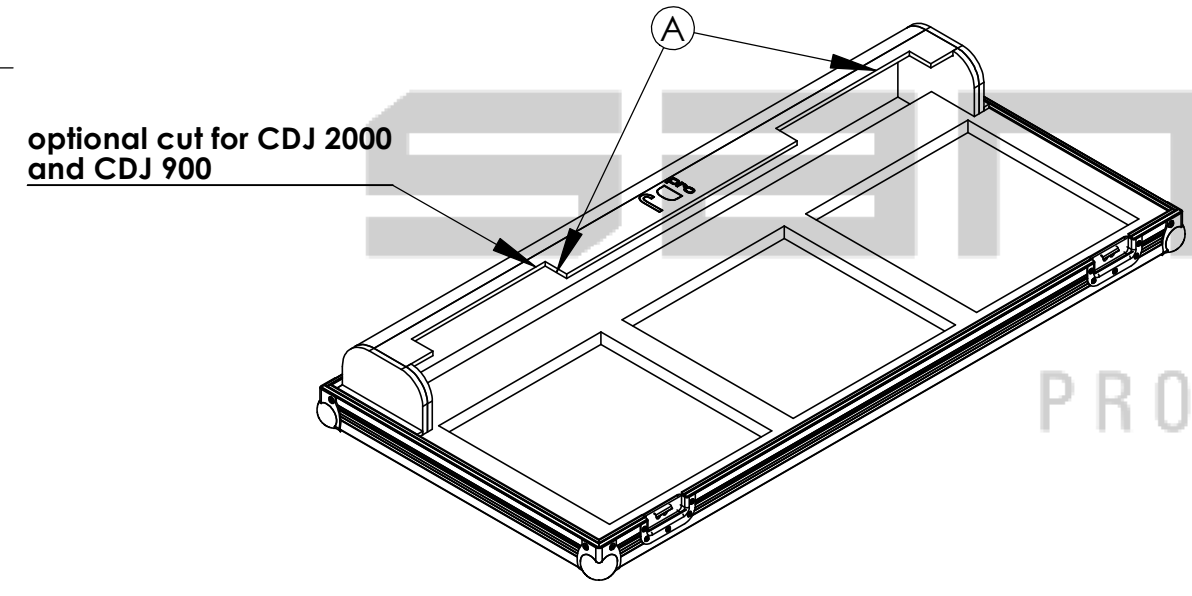
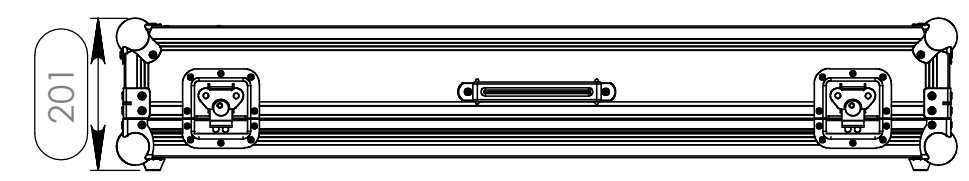


| Interior dimensions | | |
|---------------------|---------------|--------|
| Width | Depth | Height |
| 1070 | 420 | 86 |
| Weight | Approx. 18 Kg | |
| Wall Thickness | 7mm | |

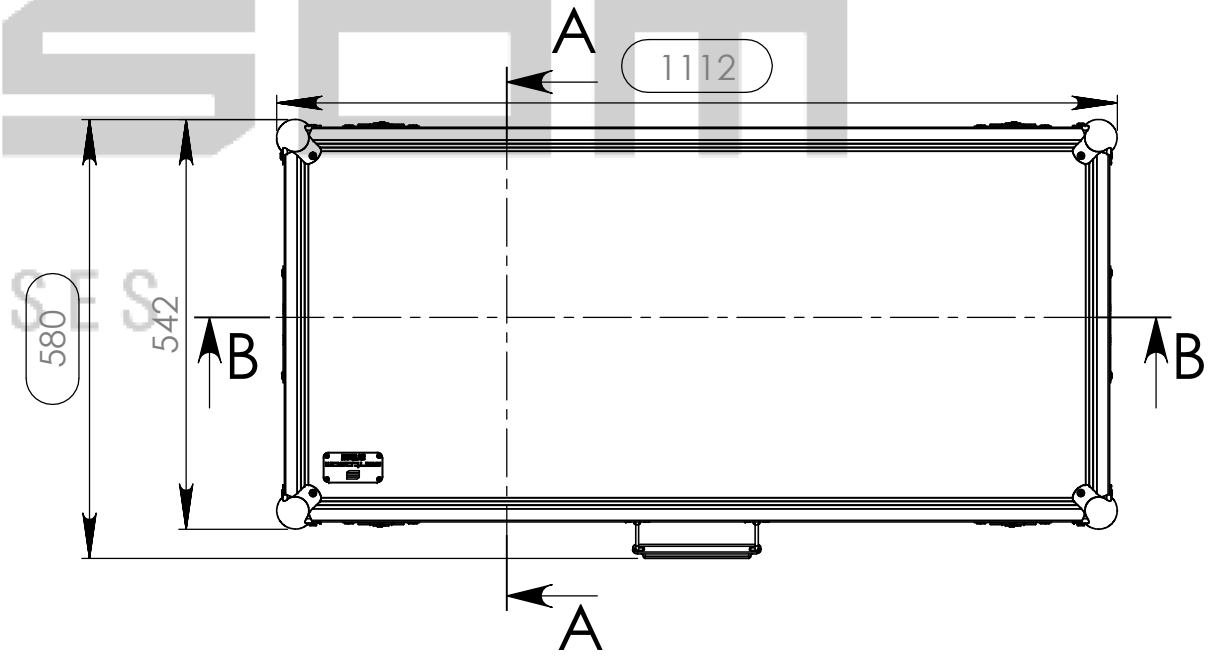
| REVISIONS | | | | |
|-----------|------|--------------------------------------|------------|--------------|
| ZONE | REV. | DESCRIPTION | DATE | APPROVED |
| - | - | Final Drawing | 05/06/2010 | Telmo Santos |
| A | 1 | Added a cut for CDJ 2000 and CDJ 900 | 17/06/2013 | Daniel Lopes |



SECTION B-B



SECTION A-A



| Hardware | | |
|----------|--------|-------------------------------------------------------|
| Qty | Ref. | Description |
| 4 | 4120 | Medium ball corner zinc plated |
| 4 | 40403 | Large corner bracket f. 35mm case angle |
| 4 | 4127 | Combined ball corner and brace to suit 52 mm lidmaker |
| 4 | 17290S | Key lockable medium Butterfly special |
| 2 | 340821 | Recessed sprung handle - Small |
| 1 | 3417 | Leather Case Handle |
| 4 | 4901 | Rubber foot 30 x 15mm, black |

This drawing must not be copied or disclosed without consent of the owner

| | | |
|----------------------|--------------|-------------------|
| Drawn by | Name | Date |
| DanielLopes | DanielLopes | 17-06-2013 |
| Reference | DJR1.107 | |
| Scale | units in mm | general tolerance |
| 1:10 | DO NOT SCALE | 0.8mm |
| 1st Angle projection | FC, Regie3 | |

