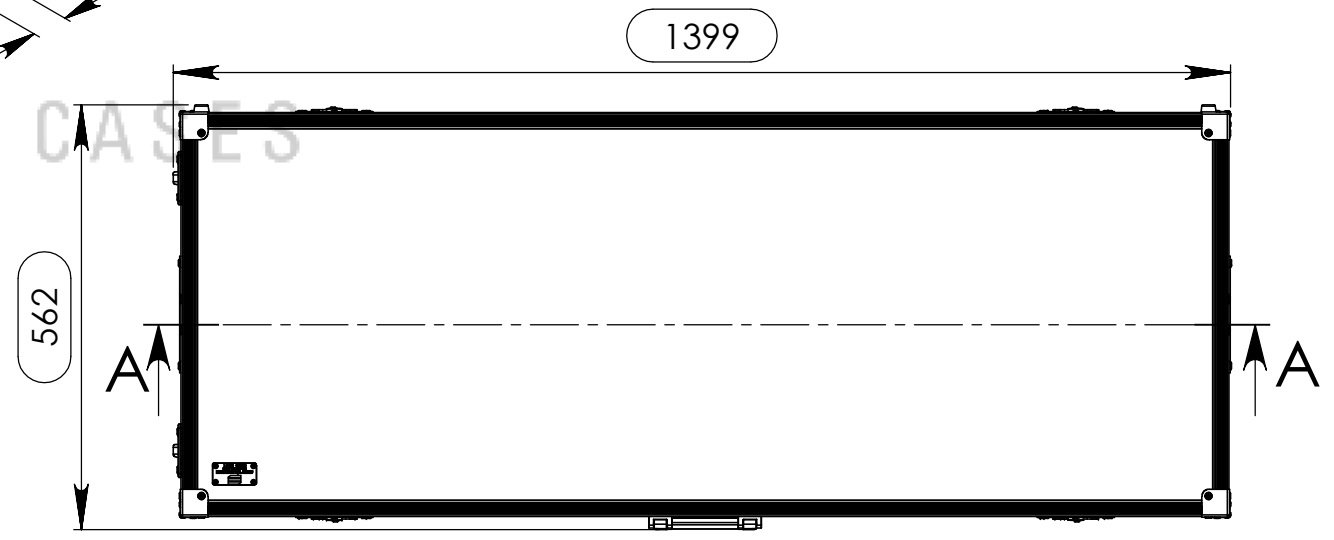
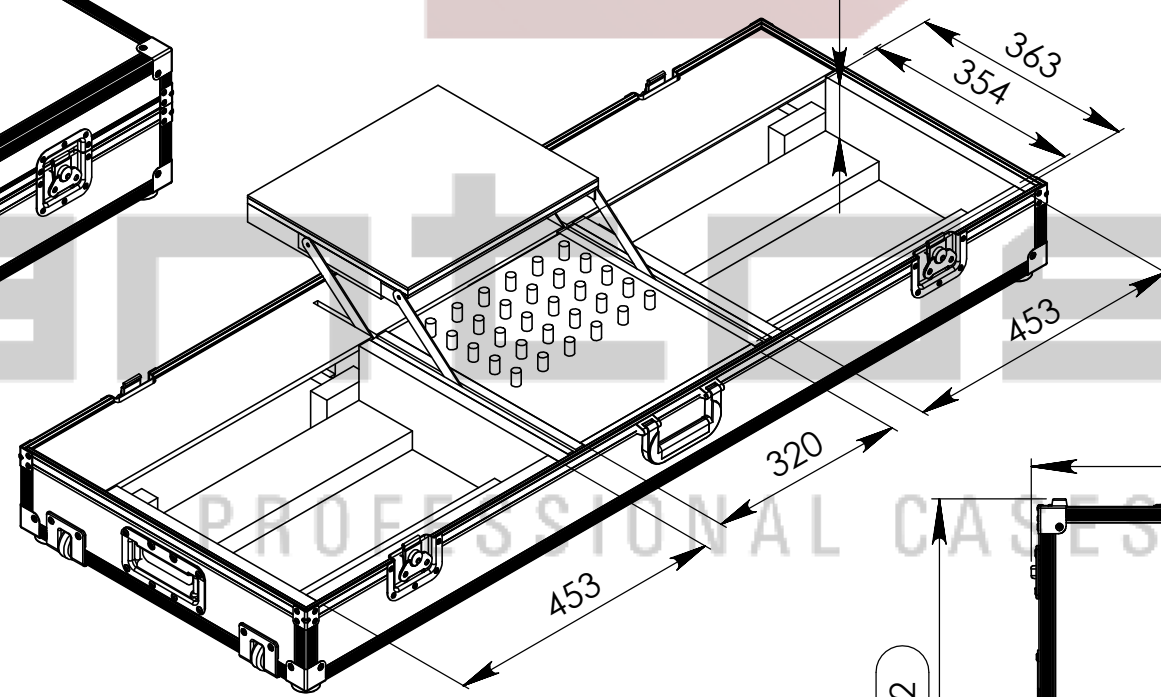
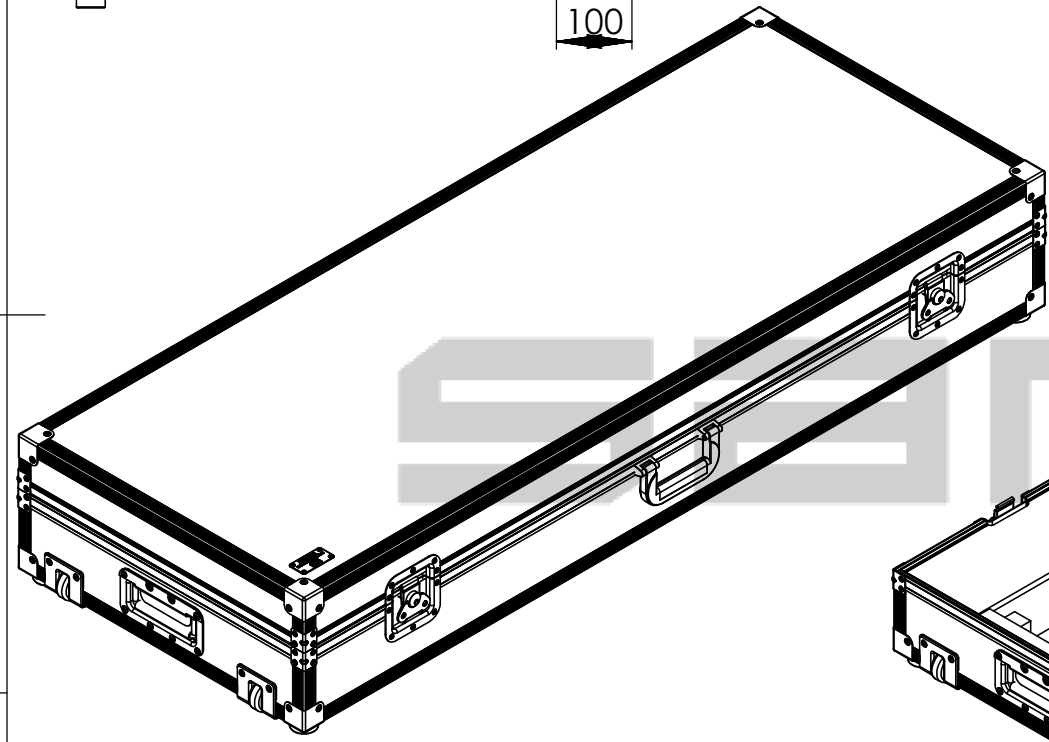
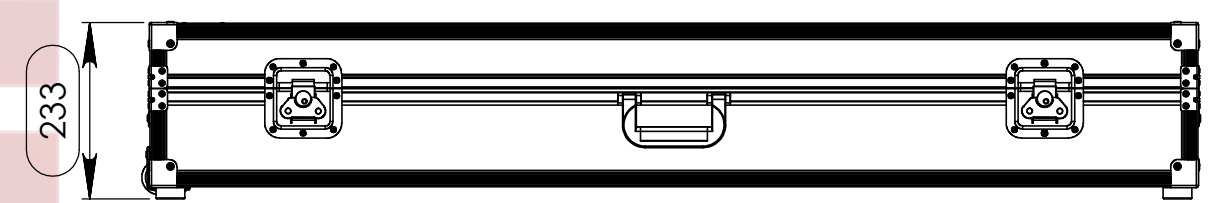
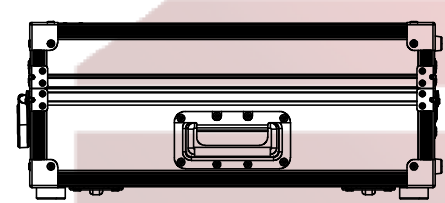
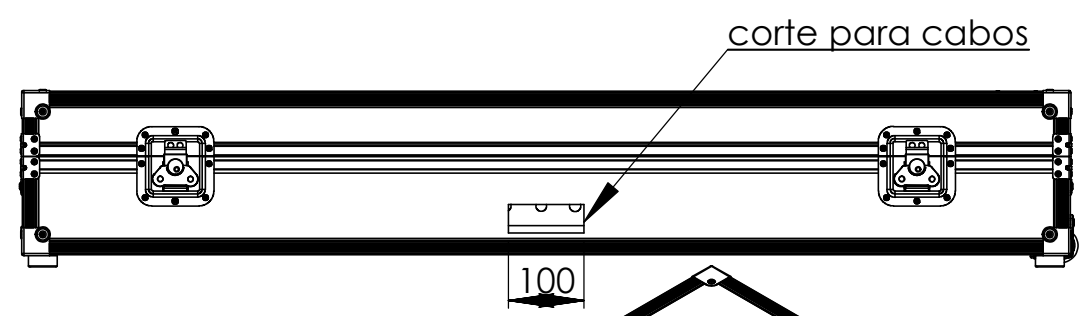
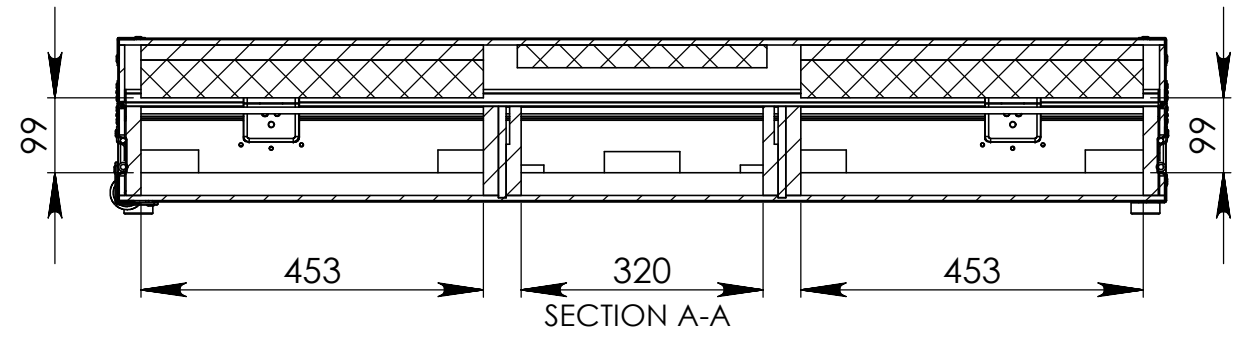


| Interior dimensions |                  |        |
|---------------------|------------------|--------|
| Width               | Depth            | Height |
| 1365                | 513              | 199    |
| Weight              | Approx. 21.42 Kg |        |
| Wall Thickness      | 7mm              |        |

| REVISIONS |      |               |            |              |
|-----------|------|---------------|------------|--------------|
| ZONE      | REV. | DESCRIPTION   | DATE       | APPROVED     |
| -         | 0    | Final Drawing | 17/03/2014 | Daniel Lopes |



| Hardware |        |  |
|----------|--------|--|
| Qty      | Ref.   | Description  |
| 2        | W2001  | 50mm/2" Dia Wheel and Housing                        |
| 4        | 17290S | Key lockable medium Butterfly special                |
| 2        | 340822 | Recessed sprung handle - Small                       |
| 8        | 4000   | Square Case Corner                                   |
| 8        | 40407  | Medium corner-brace zinc plated 1,0mm                |
| 4        | 4903   | Rubber foot 20 x 9 mm, black                         |
| 4        | 4907   | Rubber foot 38mm x 15 mm                             |
| 1        | 3430   | Chrome plated plastic with soft black plastic insert |

This drawing must not be copied or disclosed without consent of the owner

|   |                   |             |              |
|---|-------------------|-------------|--------------|
| Drawn by                                    | DanielLopes       | Date        | 17-03-2014   |
| Reference                                   | DJR.108           |             |              |
| Scale                                       | 1:10              | units in mm | DO NOT SCALE |
| 1st Angle projection                        | general tolerance | 0.8mm       |              |
| FC DJ. 2X SL1210 + MESA + COMPUTADOR, RODAS |                   |             |              |

