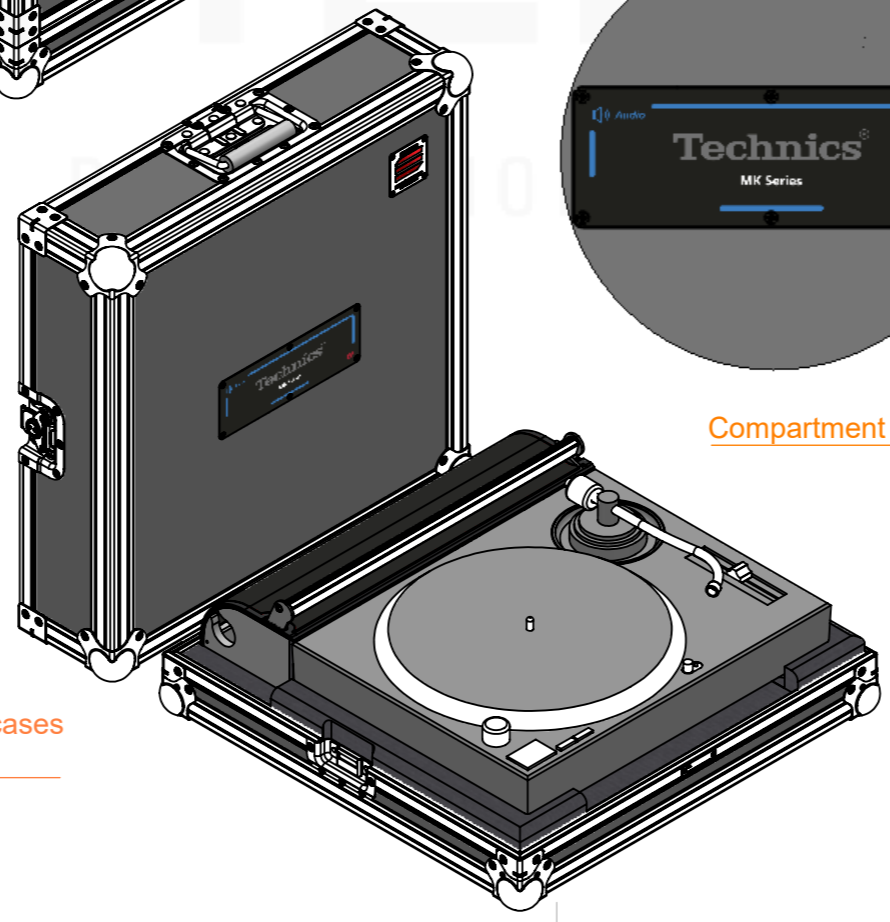
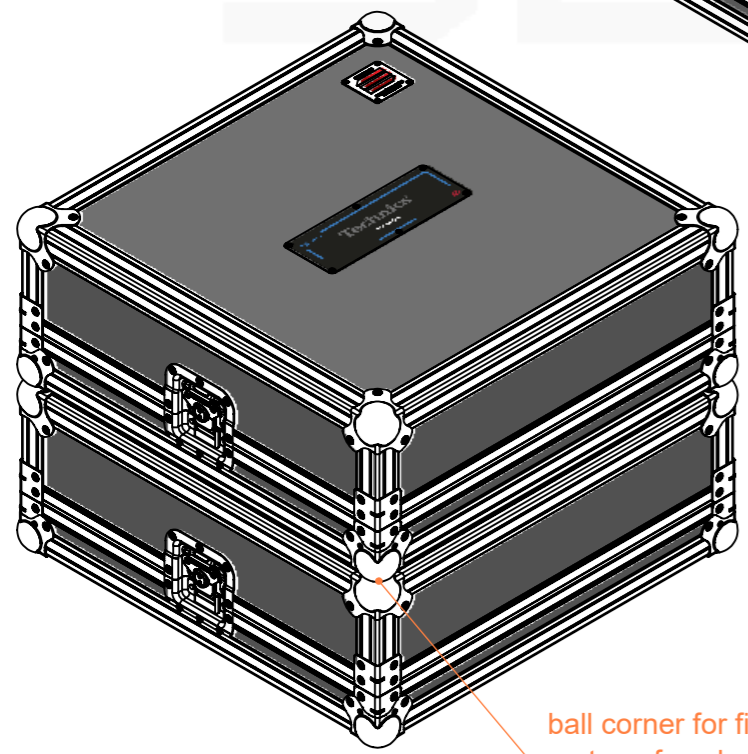
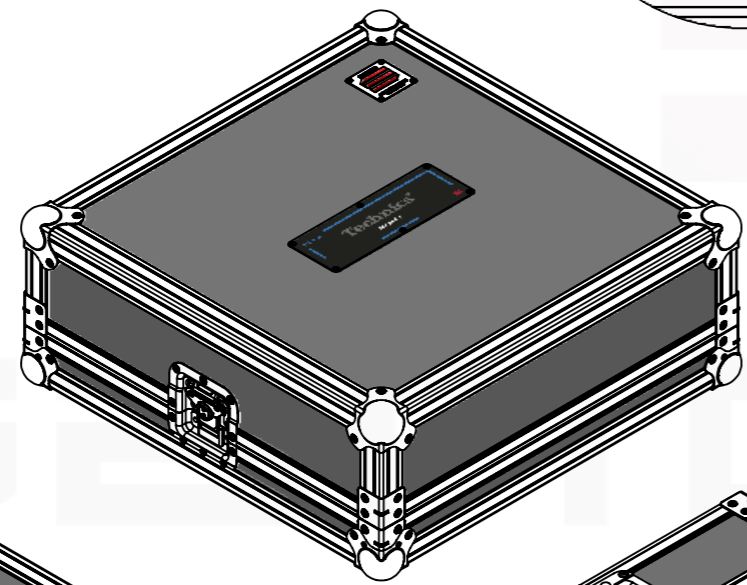
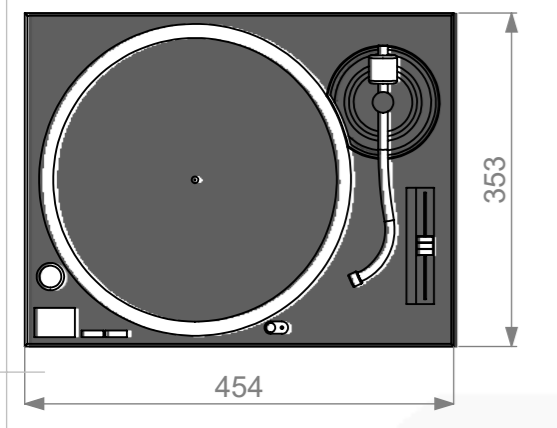
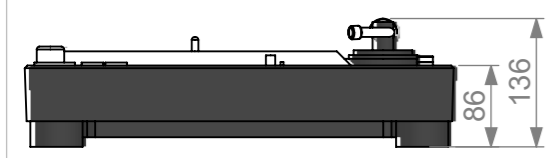
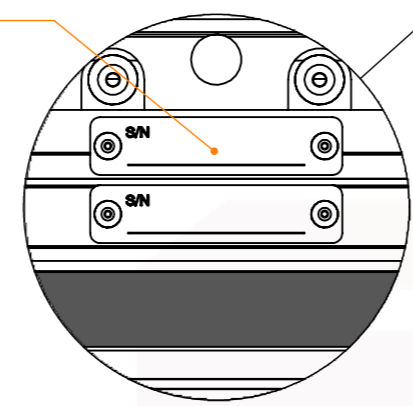


Equipment		Technics MK Series	
Width	454	Depth	353
Height	136	Weight	Approx. 9.6Kg
Internal Dimensions			
Width	453	Depth	427
Height	79	Weight	Approx. 9 Kg
Wall Thickness			mm

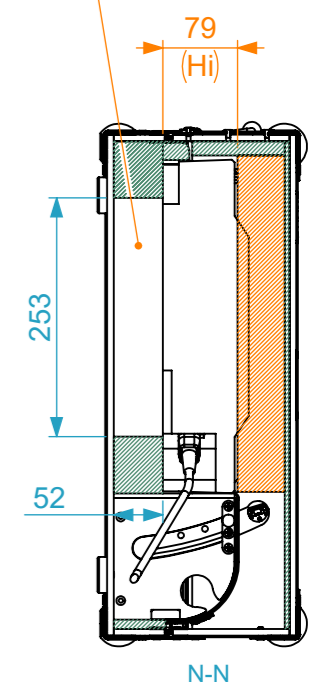
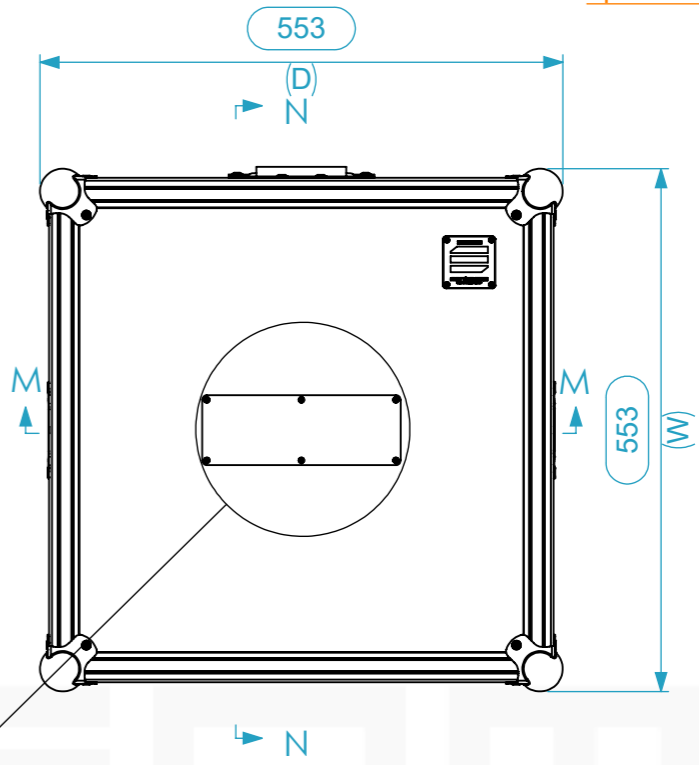
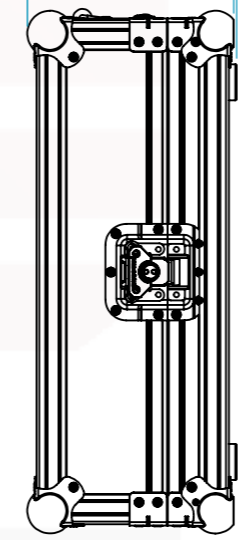


ball corner for fitting cases on top of each other

Plate for equipment serial number

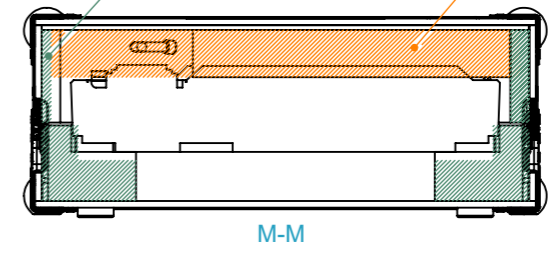


222 (H)
219



HD Foam

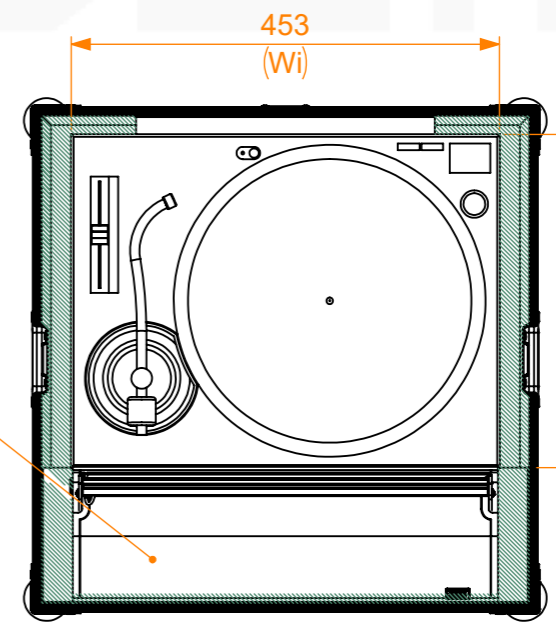
EGGBOX Foam 50 mm thick



M-M

Space for cables

Compartment for cables



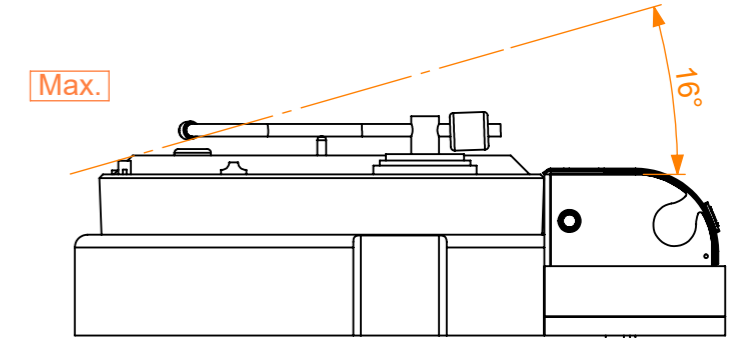
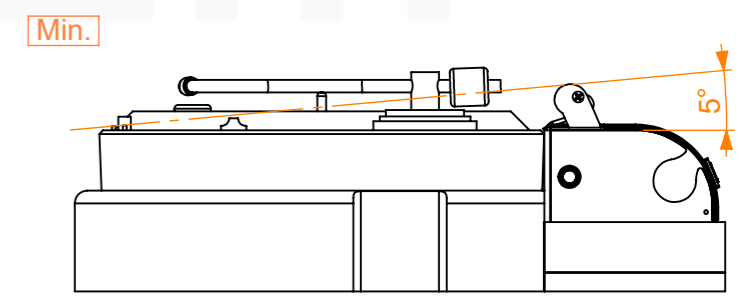
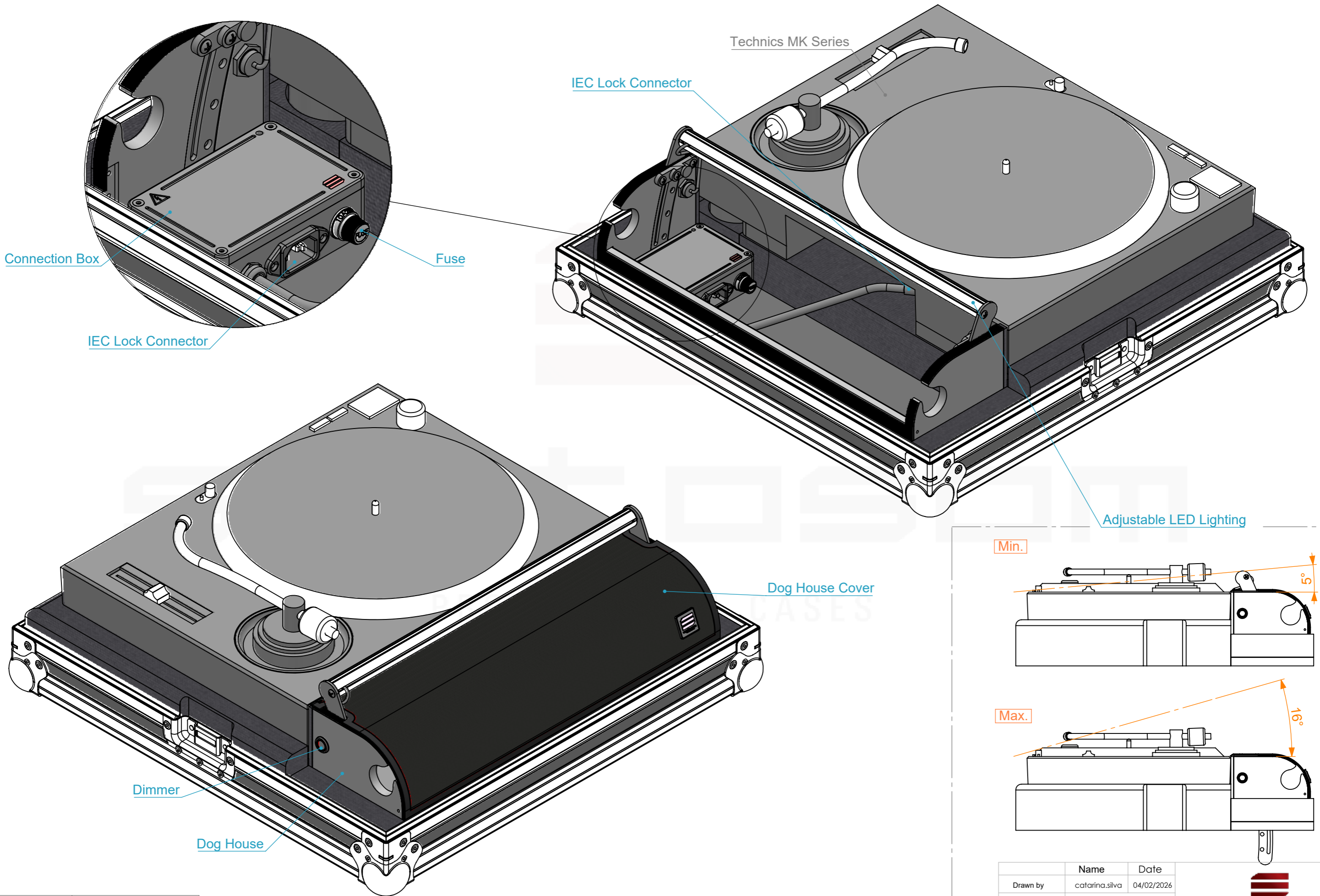
General External Dimensions		Usable Inner Dimensions	
W	Width	Wi	Inside Width
D	Depth	Di	Inside Depth
H	Height	Hi	Inside Height

Drawn by	Name	Date
catarina.silva	04/02/2026	
Reference	DJPL.TECMK	
Scale	units in mm	general tolerance
1:8	DO NOT SCALE	0.8mm
Hand case PRO, Technics MK Series /doghouse		



A3 This drawing must not be copied or disclosed without consent of the owner





Equipments	Not Included
Accessories	Included

A3 This drawing must not be copied or disclosed without consent of the owner

Drawn by	Name	Date
catarina.silva		04/02/2026
Reference	DJPL.TECMK	
Scale	units in mm	general tolerance
1:3	DO NOT SCALE	0.8mm
Hand case PRO, Technics MK Series /doghouse		

