

Equipment		Allen & Heath XONE 92	
Width	320	Depth	358
Height	105	Weight	Approx. 7Kg
Internal Dimensions			
Width	323	Depth	427
Height	86	Weight	Approx. 18 Kg
Wall Thickness			mm

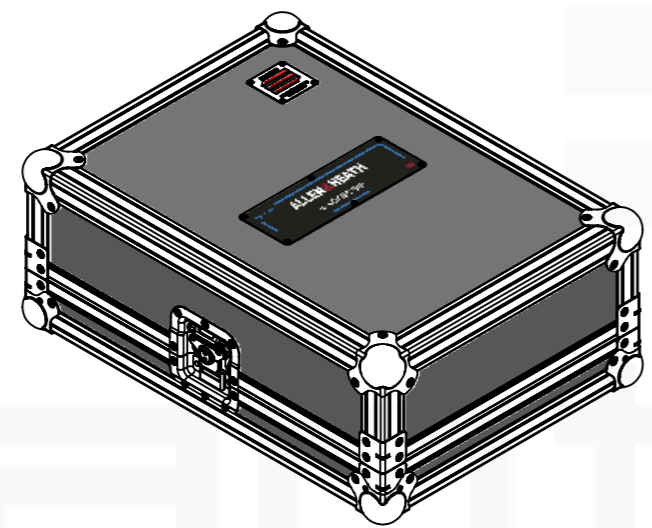
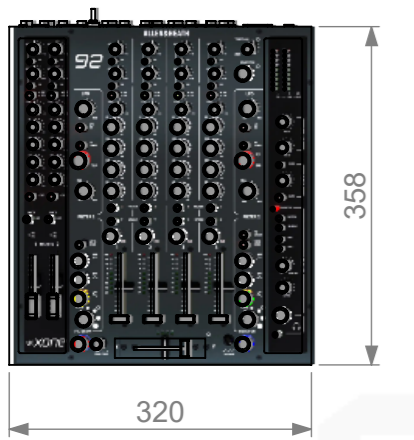
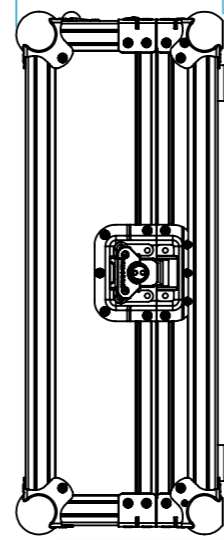
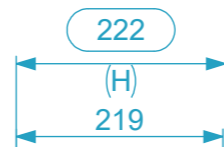
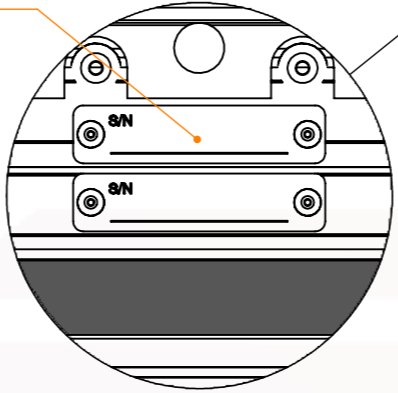
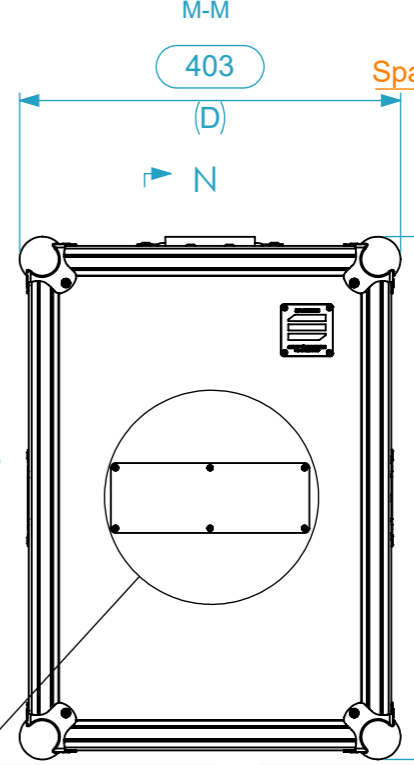
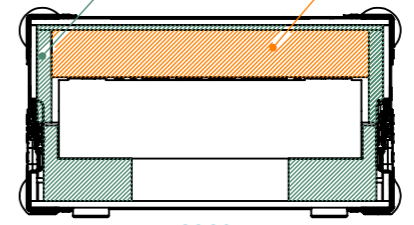


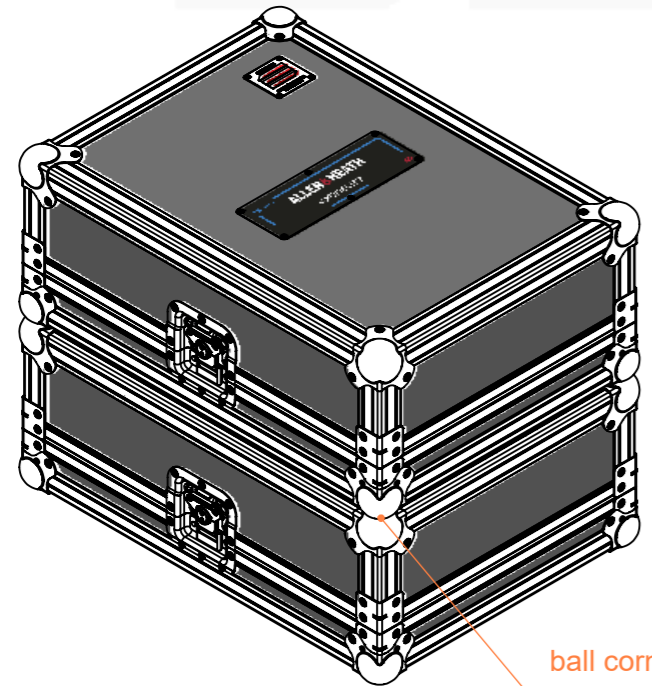
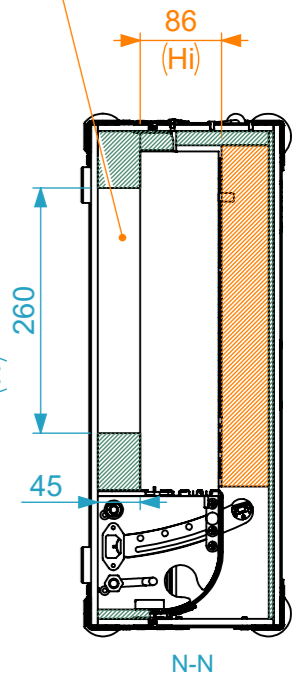
Plate for equipment serial number



HD Foam
EGGBOX Foam 50 mm thick



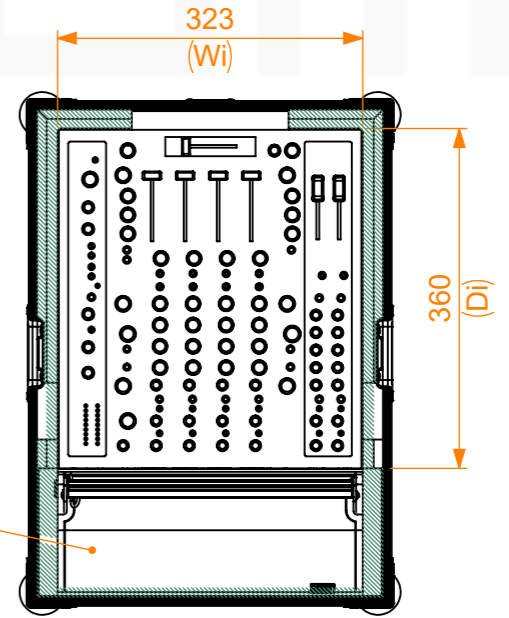
Space for cables



ball corner for fitting cases on top of each other



Compartment for cables

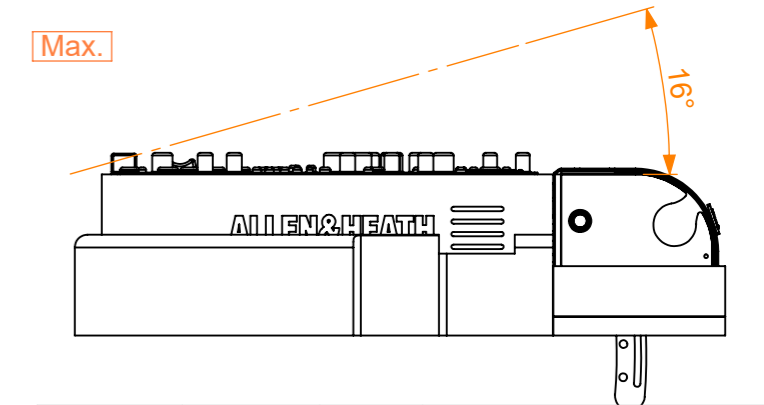
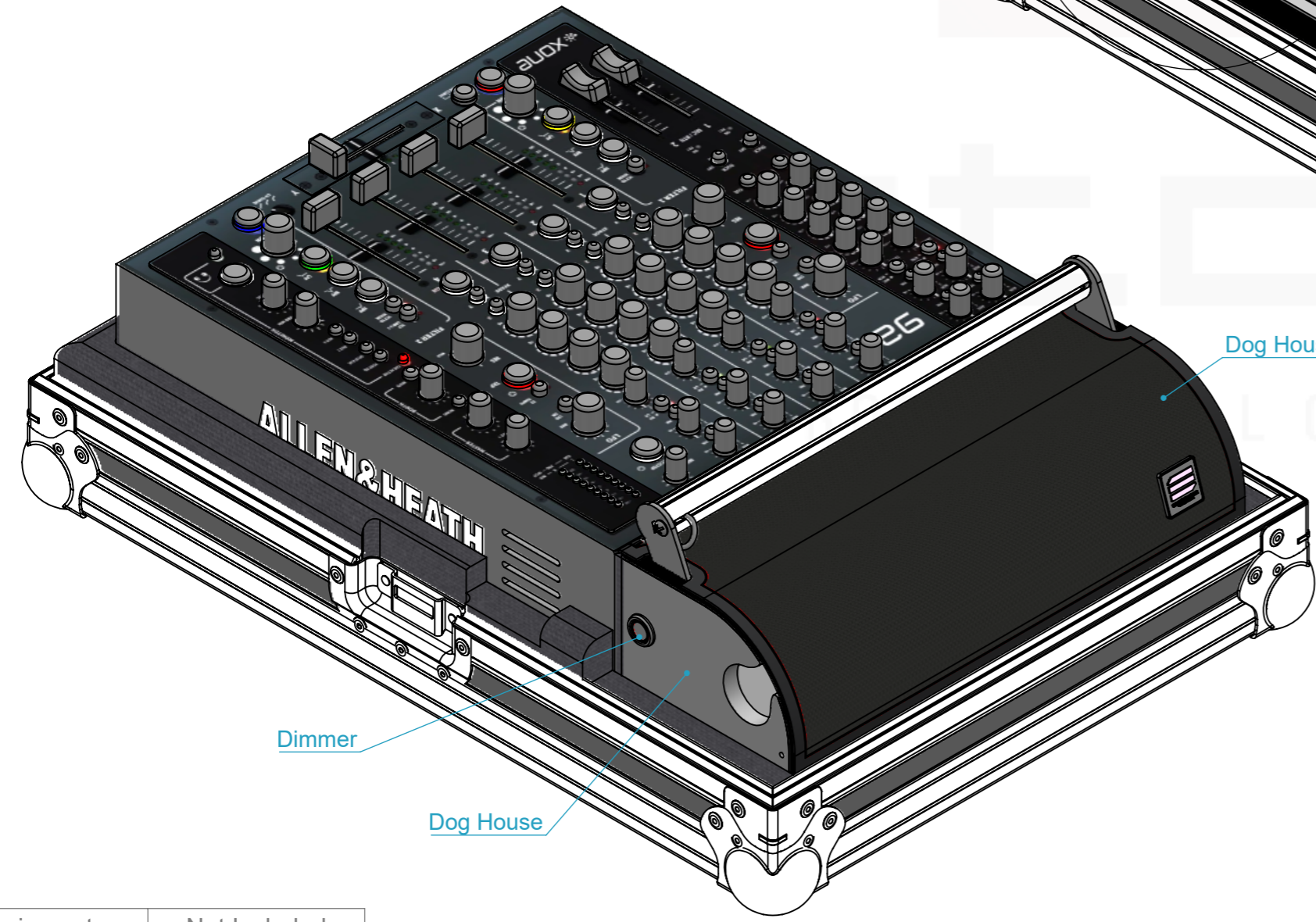
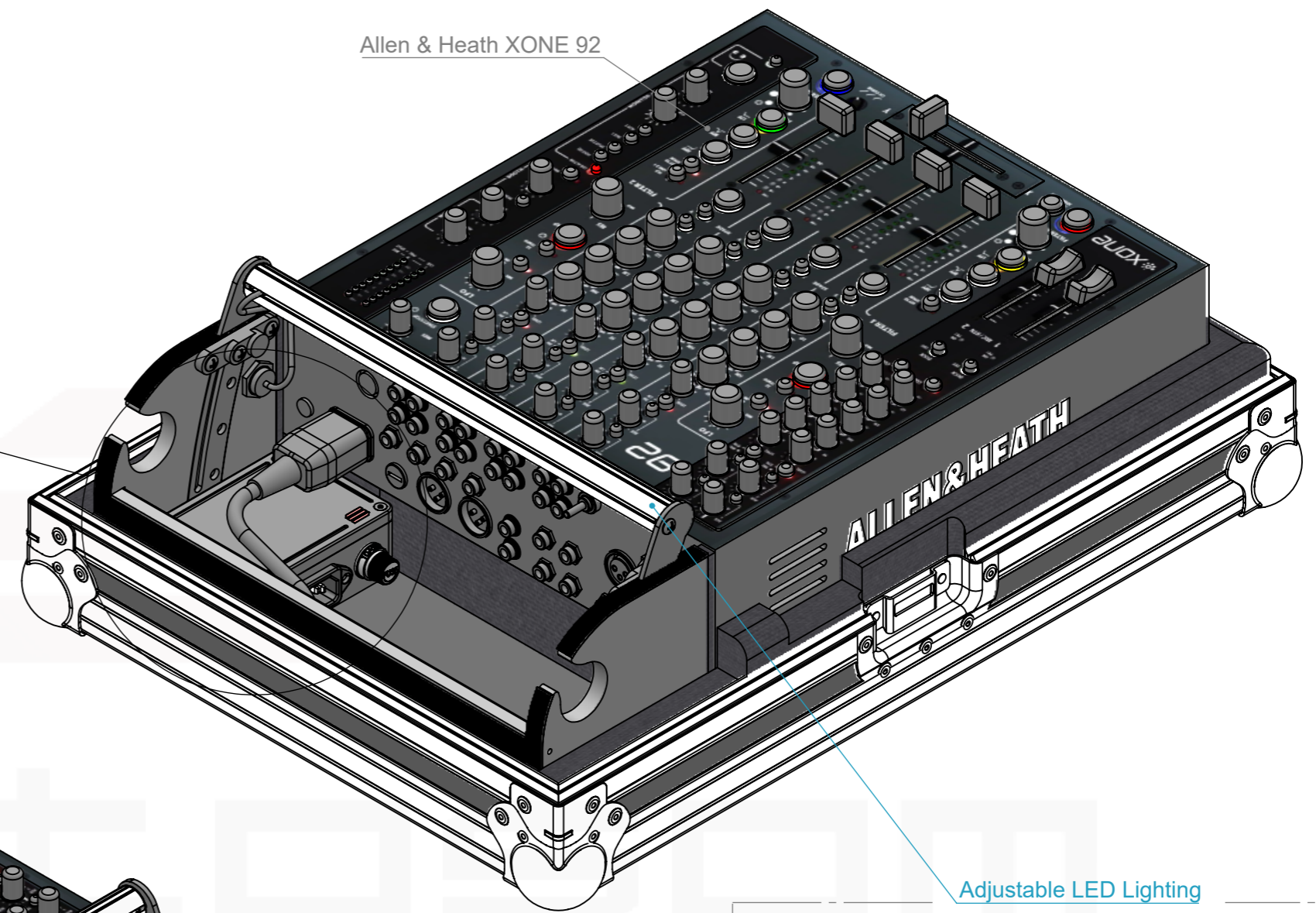
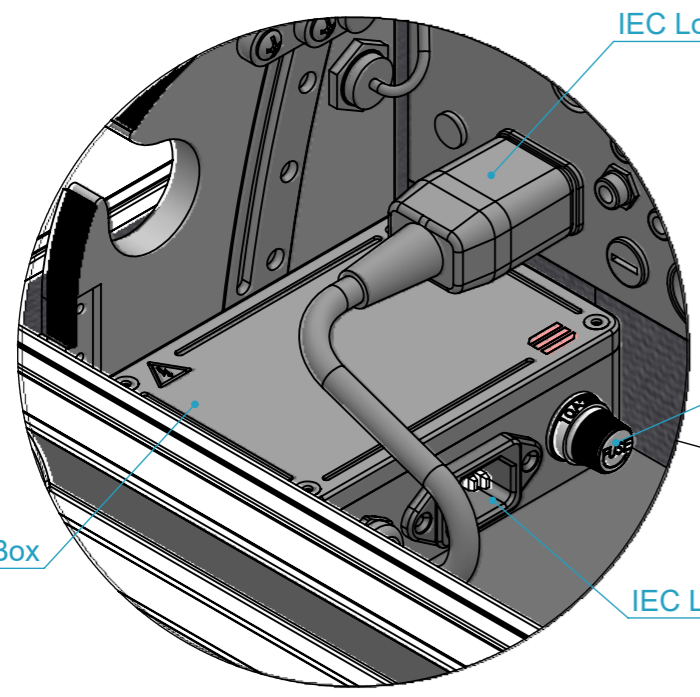


General External Dimensions		Usable Inner Dimensions	
W	Width	Wi	Inside Width
D	Depth	Di	Inside Depth
H	Height	Hi	Inside Height

A3 This drawing must not be copied or disclosed without consent of the owner

Drawn by	Name	Date
Reference	catarina.silva	04/02/2026
	DJPL.ALHX92	
Scale	units in mm	general tolerance
1:8	DO NOT SCALE	0.8mm
Hand case PRO, Allen & Heath XONE 92 w/doghouse		





Equipments	Not Included
Accessories	Included

A3 This drawing must not be copied or disclosed without consent of the owner

Drawn by	Name	Date
catarina.silva	04/02/2026	
Reference	DJPL.ALHX92	
Scale	units in mm	general tolerance
1:3	DO NOT SCALE	0.8mm
1st Angle projection	Hand case PRO, Allen & Heath XONE 92 w/doghouse	

