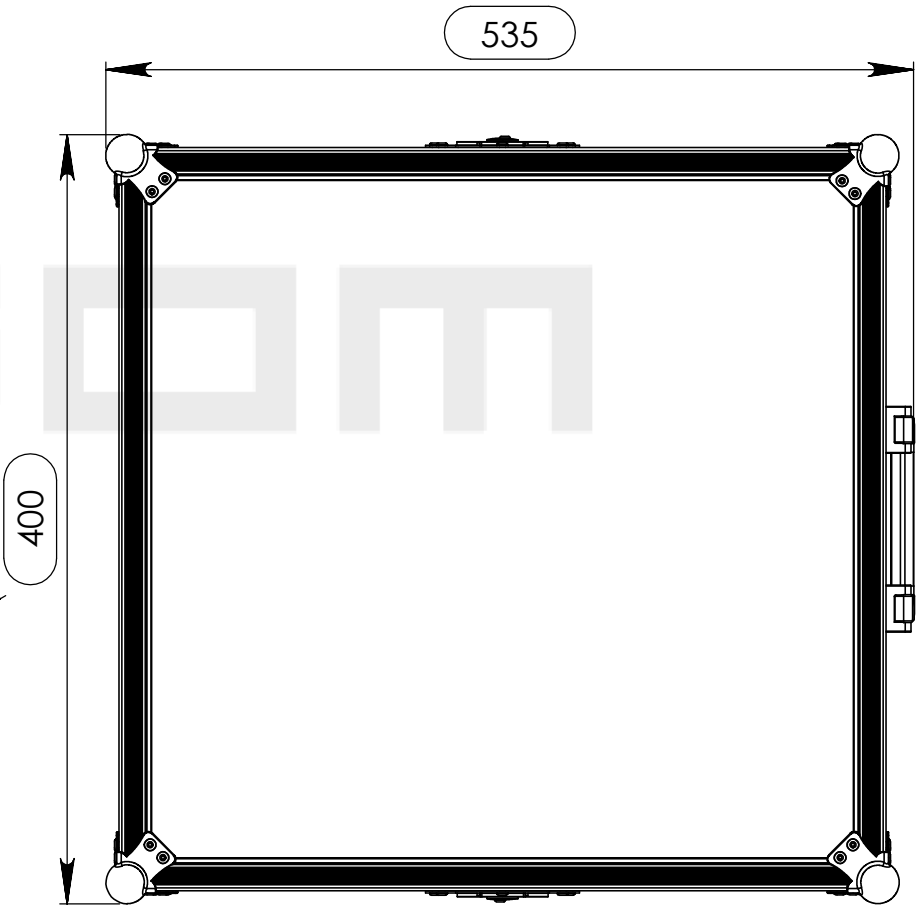
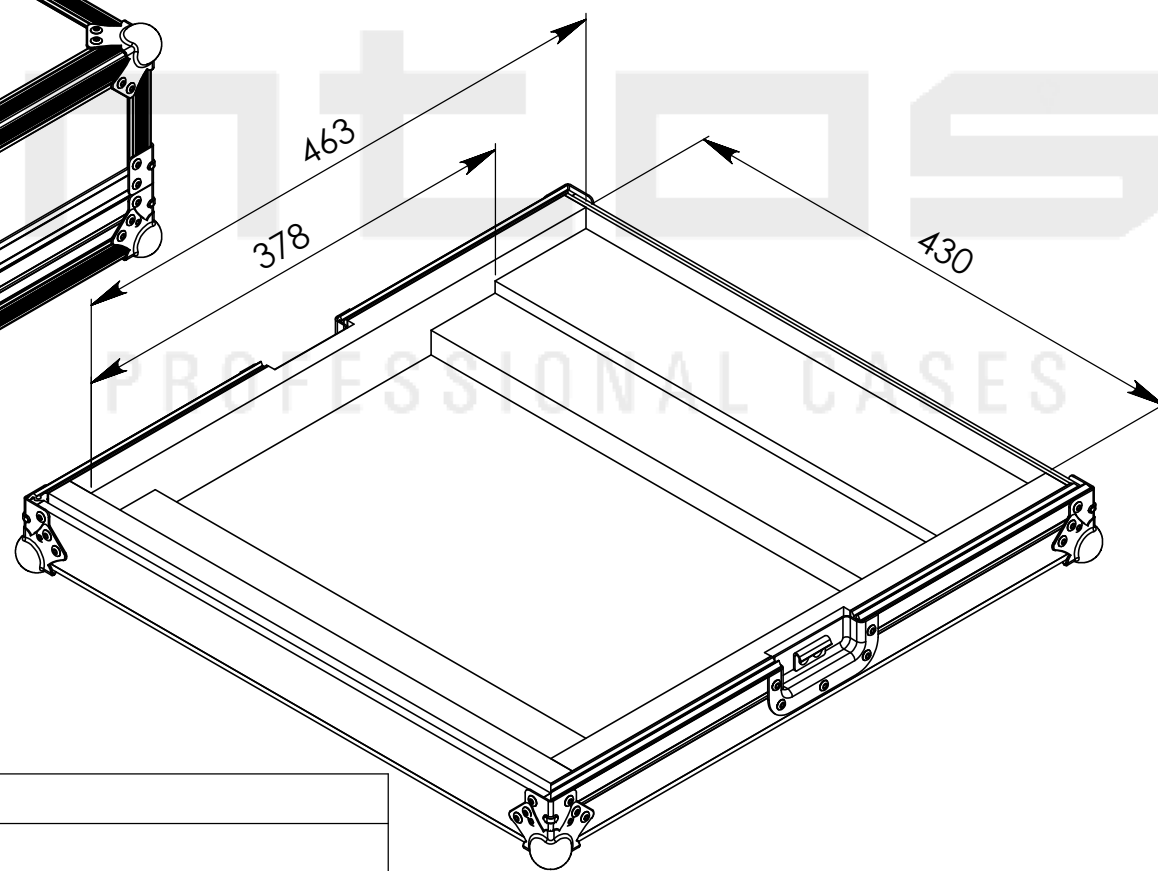
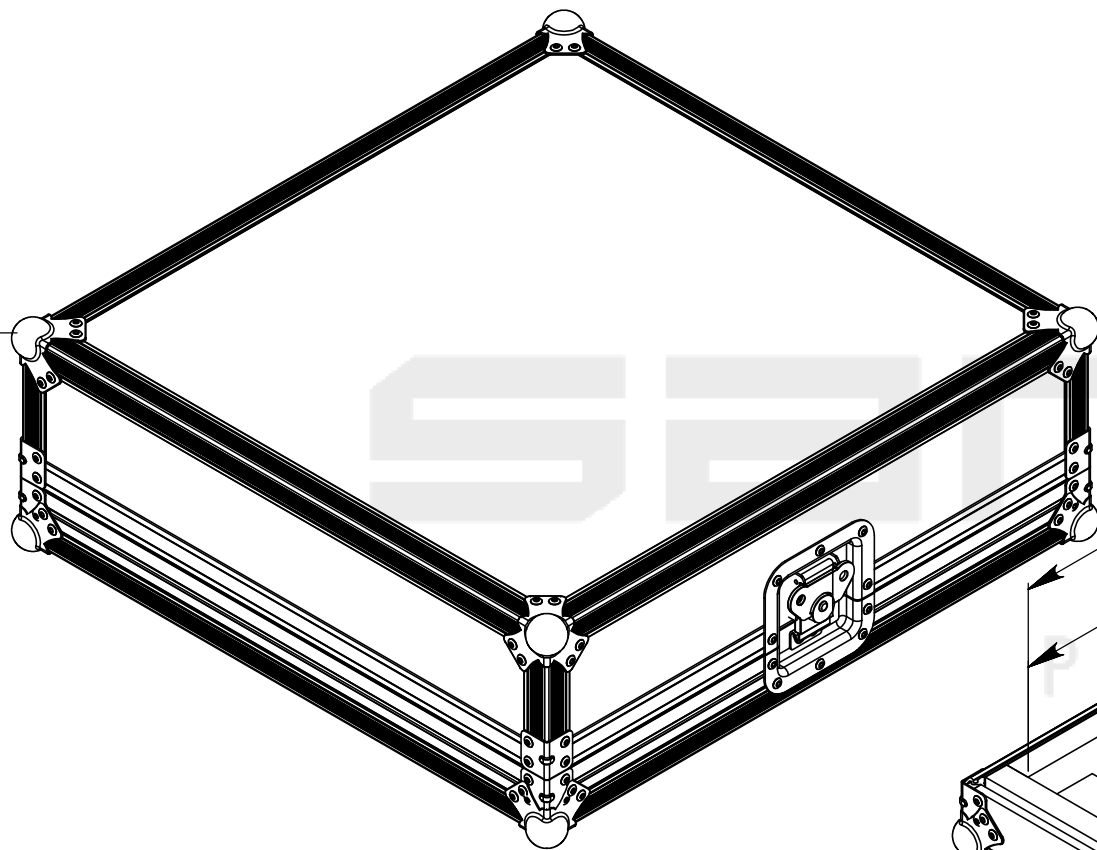
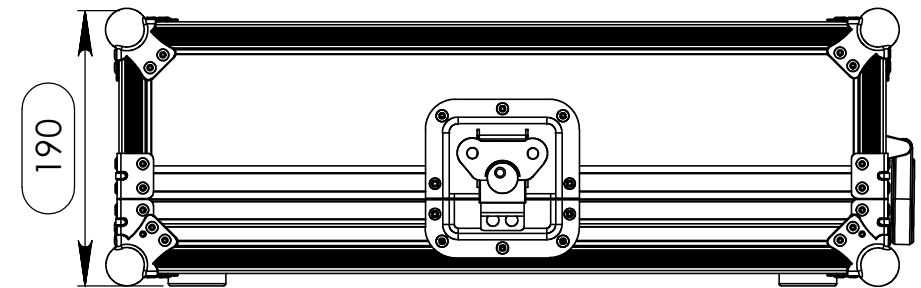
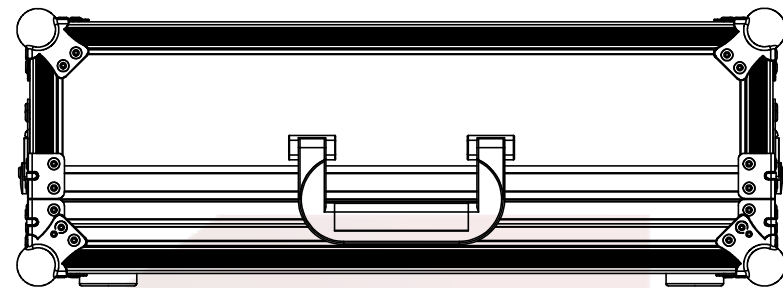
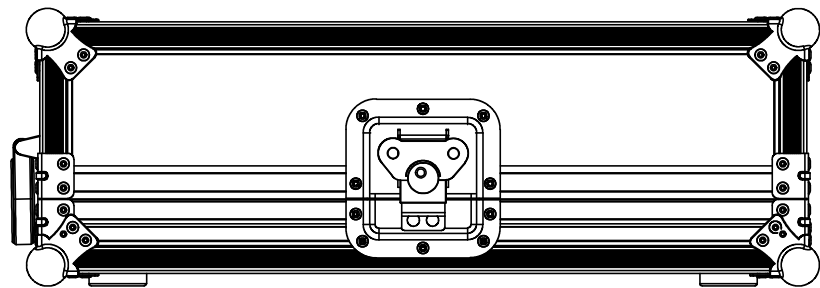


Interior dimensions

Width	Depth	Height
430	378	105
Weight	Approx. 9 Kg	
Wall Thickness		7mm



Hardware

Qty	Ref.	Description
8	40407	Medium corner-brace zinc plated 1,0mm
8	4112	Small ball corner - 3 leg - zinc plated
4	4906	38 mm rubber foot black with steel insert. Height: 10 mm.
1	3430	Chrome plated plastic with soft black plastic insert
2	17290S	Key lockable medium Butterfly special

This drawing must not be copied or disclosed without consent of the owner

Drawn by	Name	Date
DanielLopes	DanielLopes	10-10-2014
Reference	DJ.U33A	
Scale	units in mm	general tolerance
1:5	DO NOT SCALE	0,8mm
1st Angle projection	FC DJ - CD, CDJ-2000 30XLR + 3X NLB	

