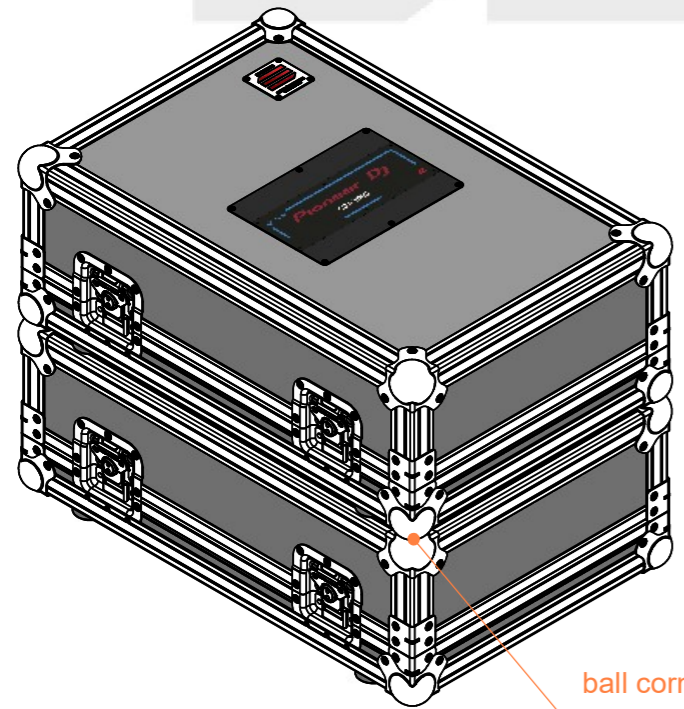
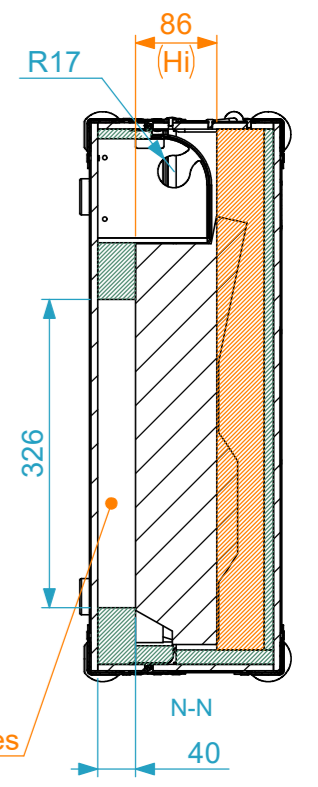
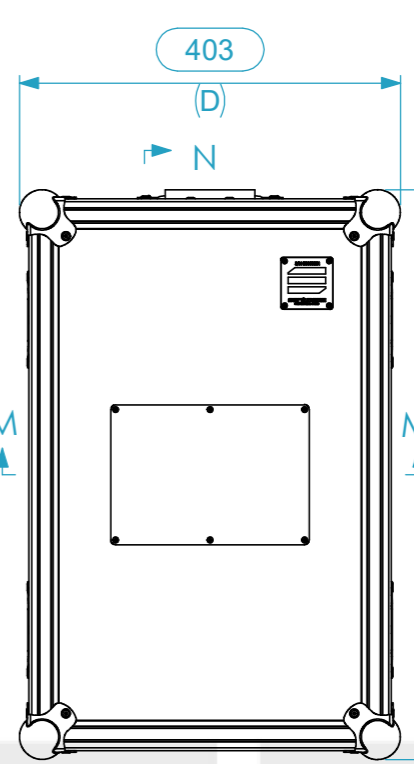
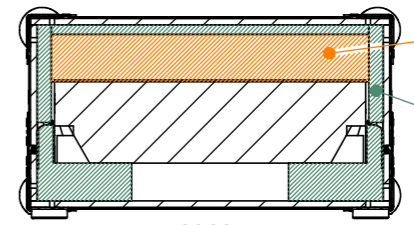
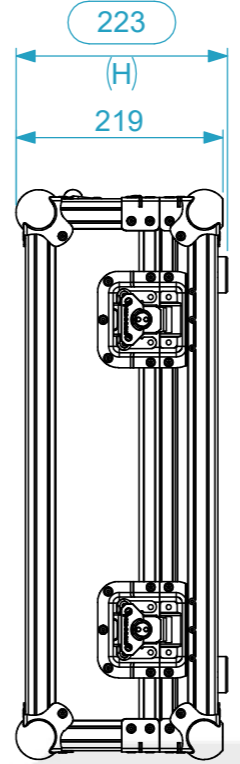
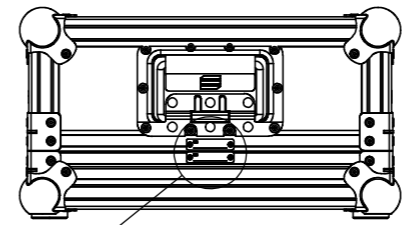
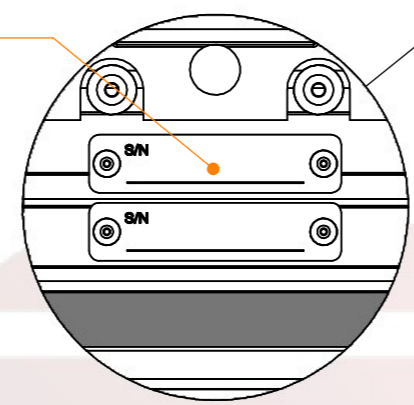
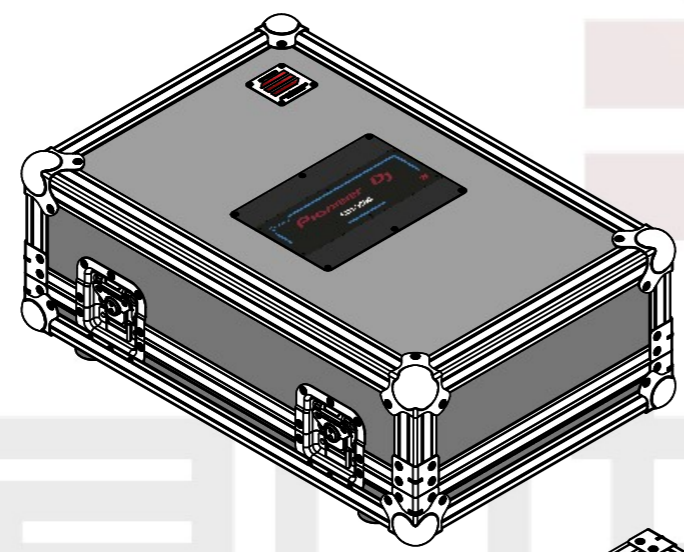


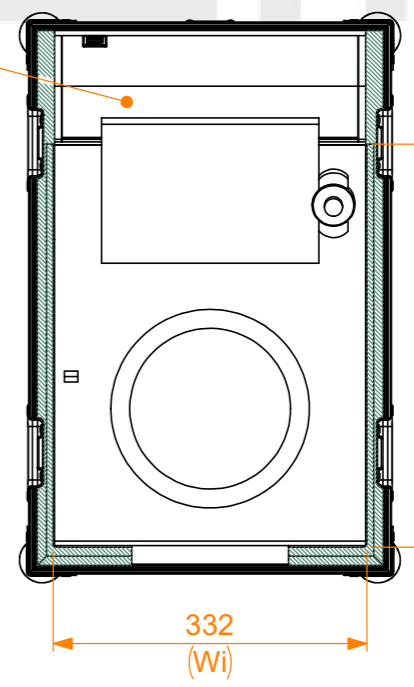
Equipment		Pioneer CDJ-3000	
Width	Depth	Height	
329	453	118	
Weight	Approx. 5.5Kg		
Internal Dimensions			
Width	Depth	Height	
332	427	86	
Weight	Approx. 8 Kg		
Wall Thickness		7mm	



ball corner for fitting cases into each other



Compartment for cables



General External Dimensions		Usable Inner Dimensions	
W	Width	Wi	Inside Width
D	Depth	Di	Inside Depth
H	Height	Hi	Inside Height

A3 This drawing must not be copied or disclosed without consent of the owner

Drawn by	Name	Date
catarina.silva	catarina.silva	15/12/2025
Reference	DJ.U40APRO	
Scale	units in mm	general tolerance
1:8	DO NOT SCALE	0.8mm
Hand case, Pioneer CDJ-3000 w/doghouse		





Equipments	Not Included
Accessories	Included

A3 This drawing must not be copied or disclosed without consent of the owner

Drawn by	Name	Date
catarina.silva	catarina.silva	15/12/2025
Reference	DJ.U40APRO	
Scale	units in mm	general tolerance
1:3	DO NOT SCALE	0.8mm
Hand case, Pioneer CDJ-3000 w/doghouse		

