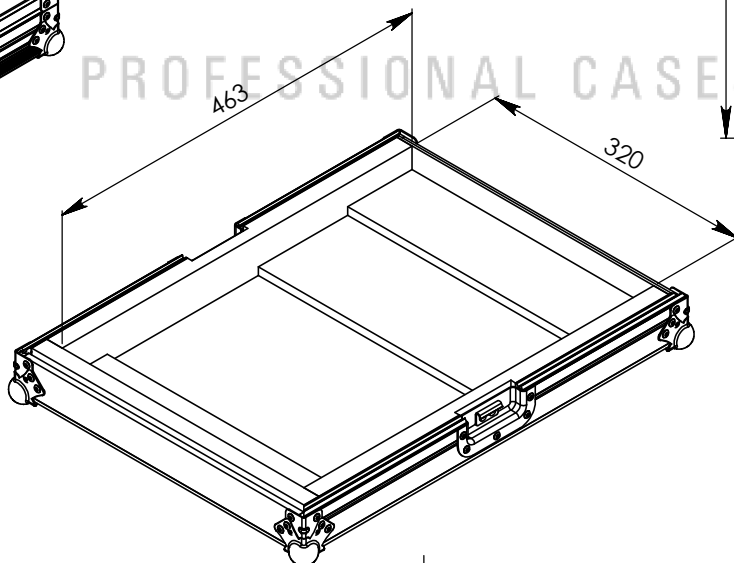
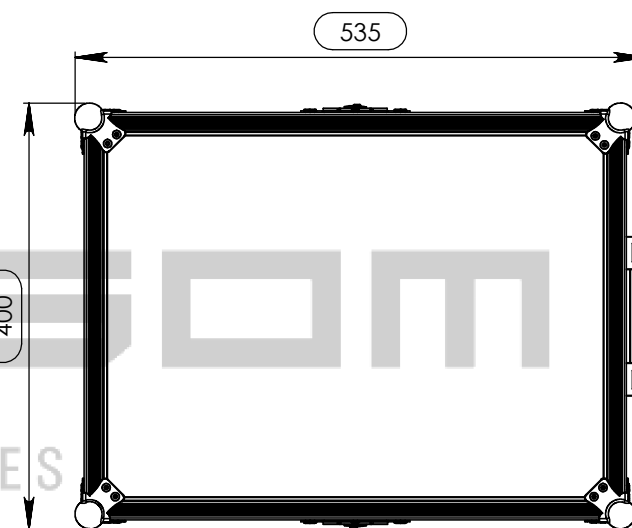
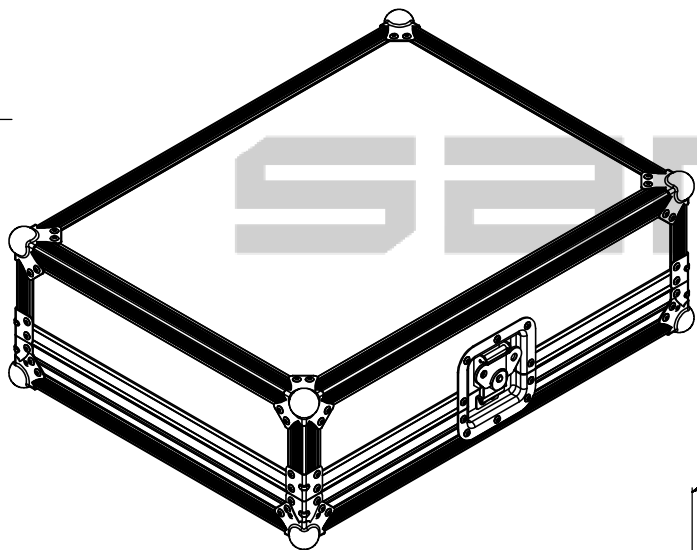
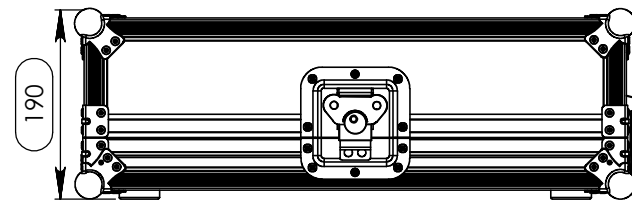
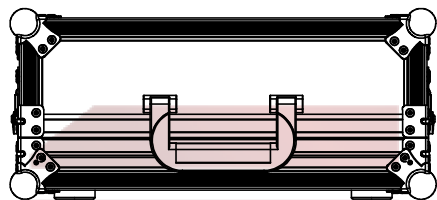
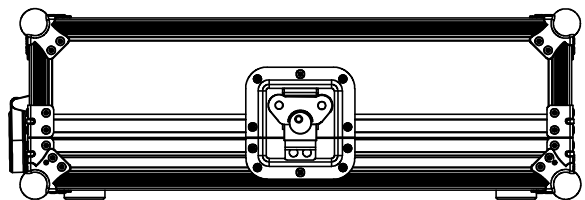


Interior dimensions		
Width	Depth	Height
320	463	110
Weight	Approx. 8 Kg	
Wall Thickness		7mm



Drawn by	Name	Date
projects		27/04/2016
Reference	DJ.U33A	
Scale	1:5	UNITS IN mm DO NOT SCALE
		general tolerance 0.8mm
	FC DJ - CD, CDJ-2000	

This drawing must not be copied or disclosed without consent of the owner

