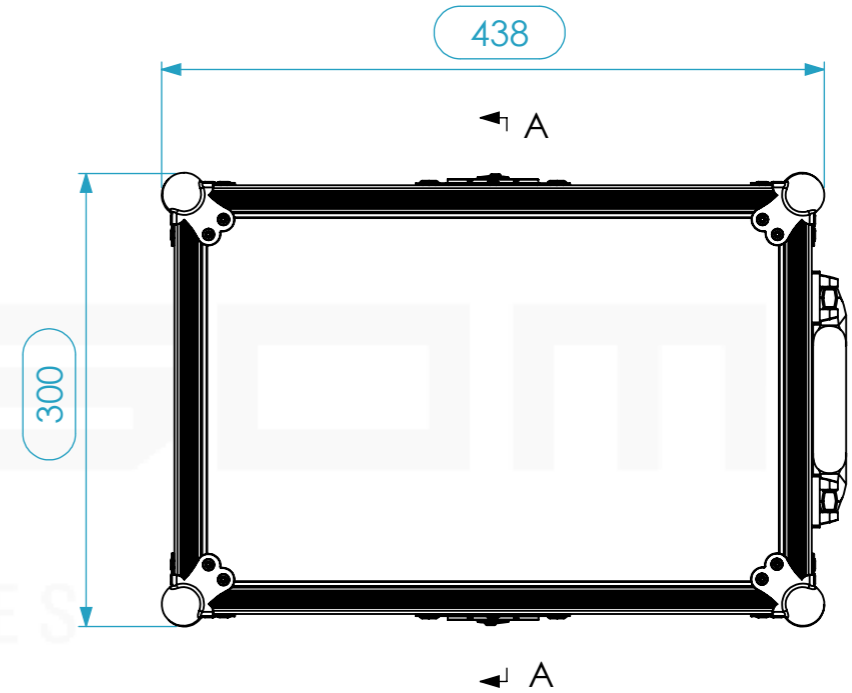
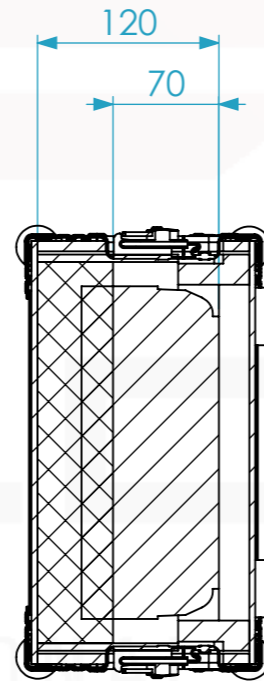
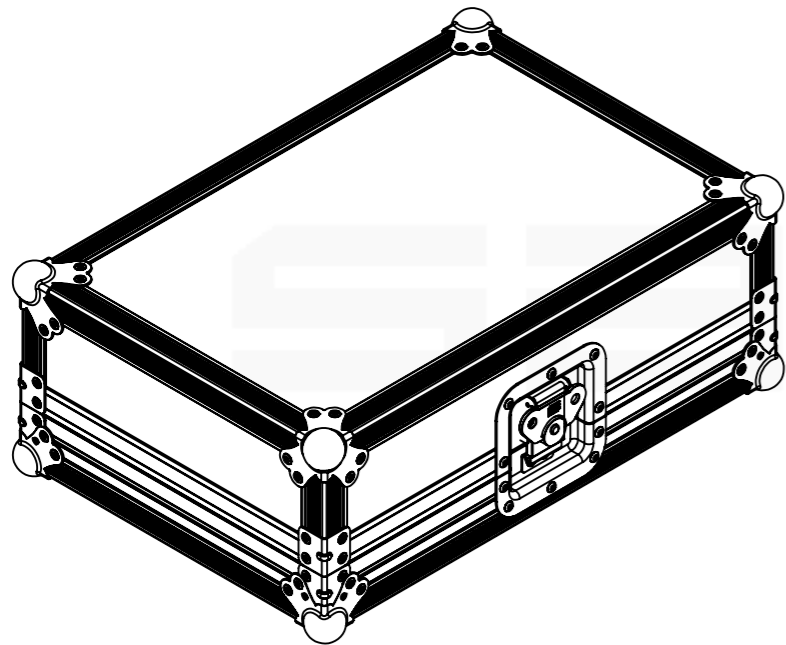
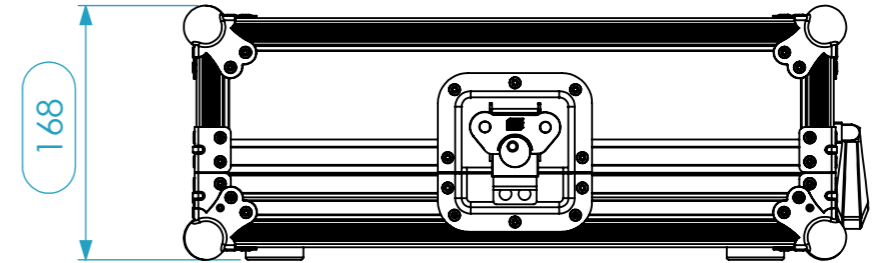
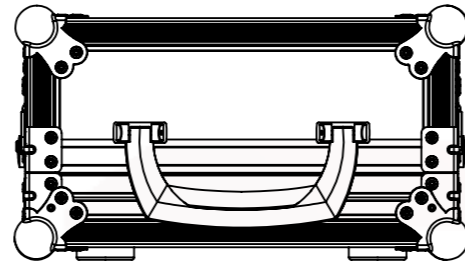
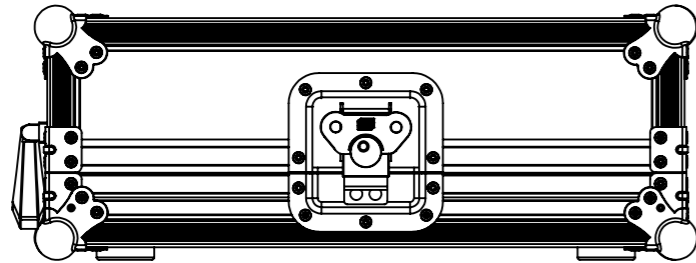
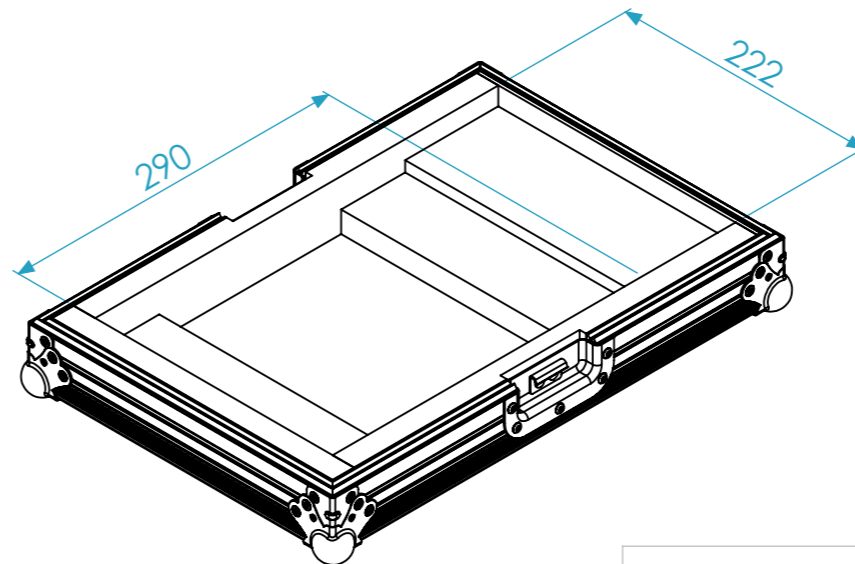


Internal Dimensions		
Width	Depth	Height
258	222	70
Weight	Approx. 7 Kg	
Wall Thickness		7mm

REVISIONS				
ZONE	REV.	DESCRIPTION	DATE	APPROVED
-	-	Final Drawing	20/05/2015	Carlos Rodrigues



SEÇÃO A-A



Hardware		
Qty	Ref.	Description
8	40407	Medium corner-brace zinc plated 1,0mm
8	C1345Z	Small ball corner - 3 leg - zinc plated
4	4906	38 mm rubber foot black H:10 mm.
2	17290S	Key lockable medium Butterfly special
1	H1431	Briefcase Handles - Black

This drawing must not be copied or disclosed without consent of the owner

Drawn by	Name	Date
jorgepacheco	jorgepacheco	20/03/2018
Reference	DJ.U24	
Scale	units in mm	general tolerance
1:5	DO NOT SCALE	0.8mm
1st Angle projection	FC DJ, PIONEER CDJ-350	

