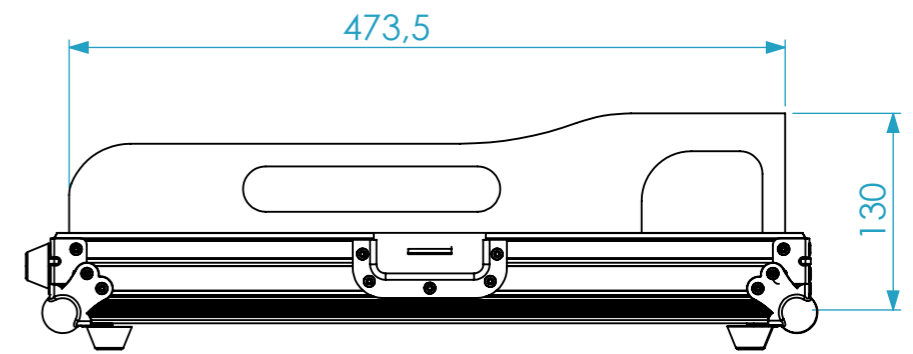
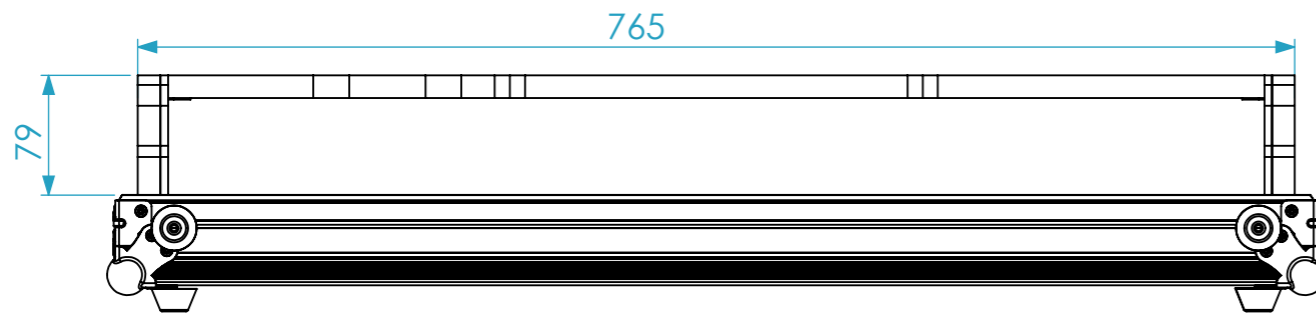
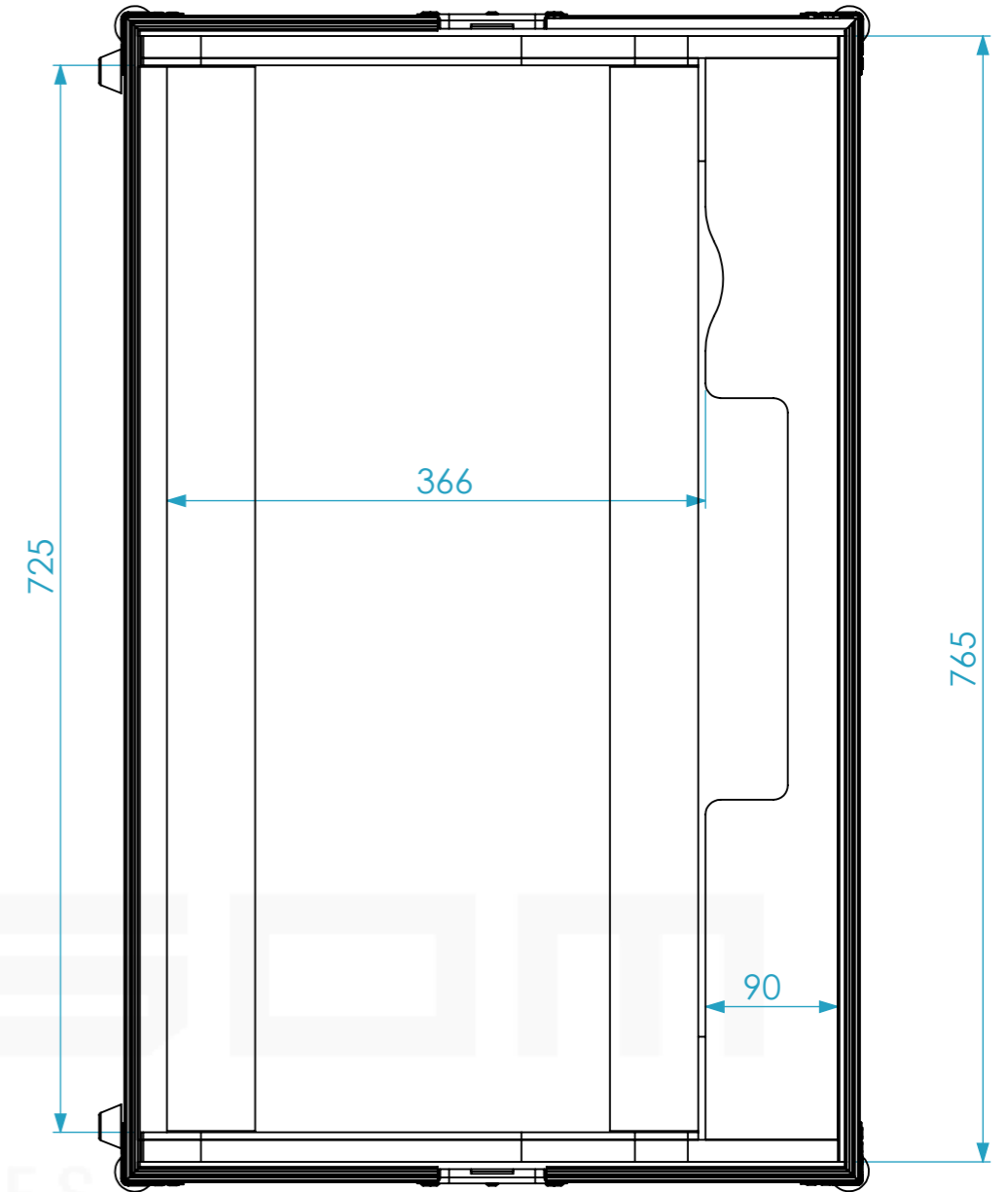




Pioneer XDJRX



PROFESSIONAL CASES

Drawn by	Name	Date
projects		01/09/2017
Reference	DJ.929.A01	
Scale	units in mm	general tolerance
1:3	DO NOT SCALE	0,8mm
MÓVEL PARA FC. PIONEER DJ - XDJ-RX		



This drawing must not be copied or disclosed without consent of the owner



A3