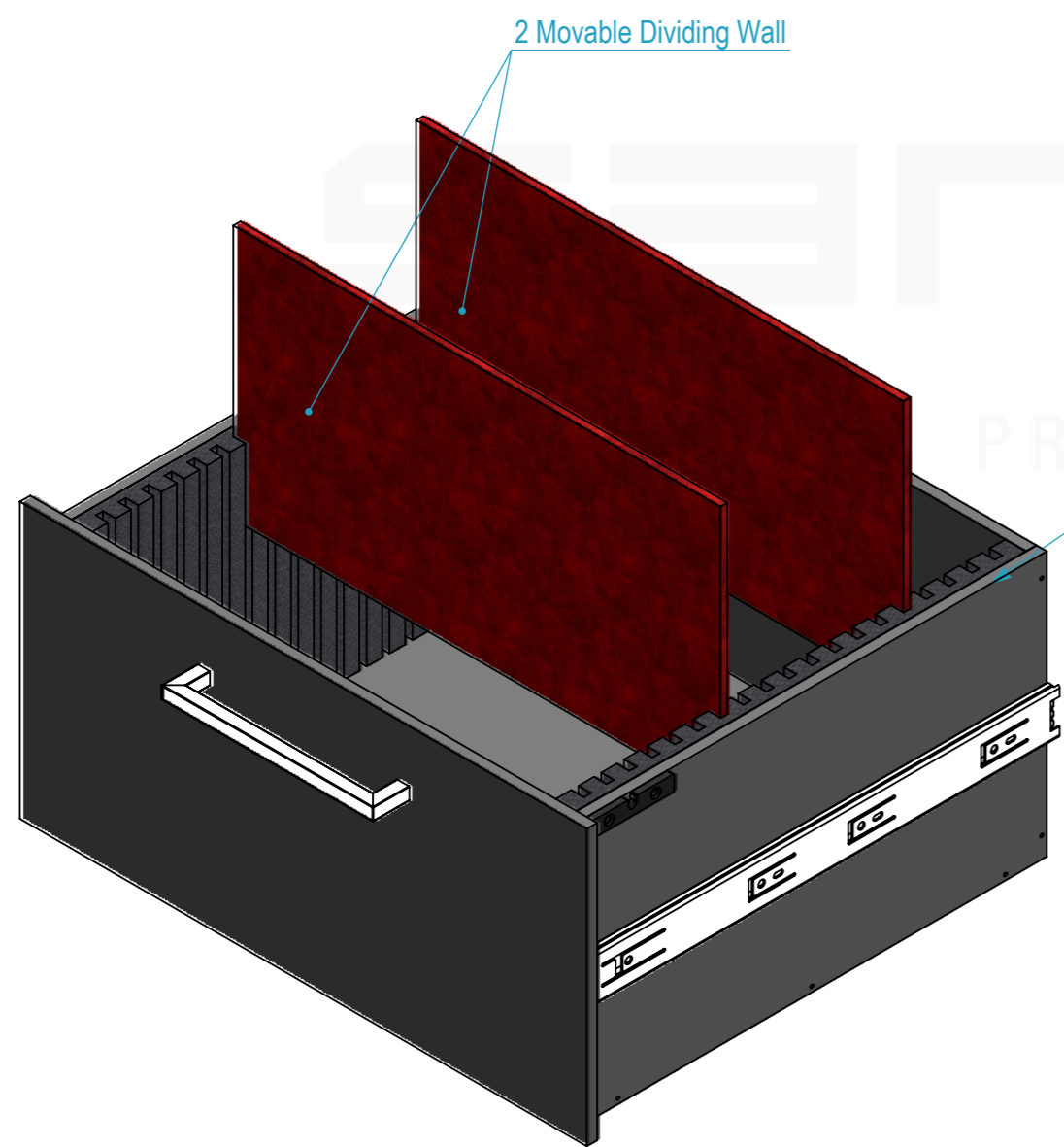
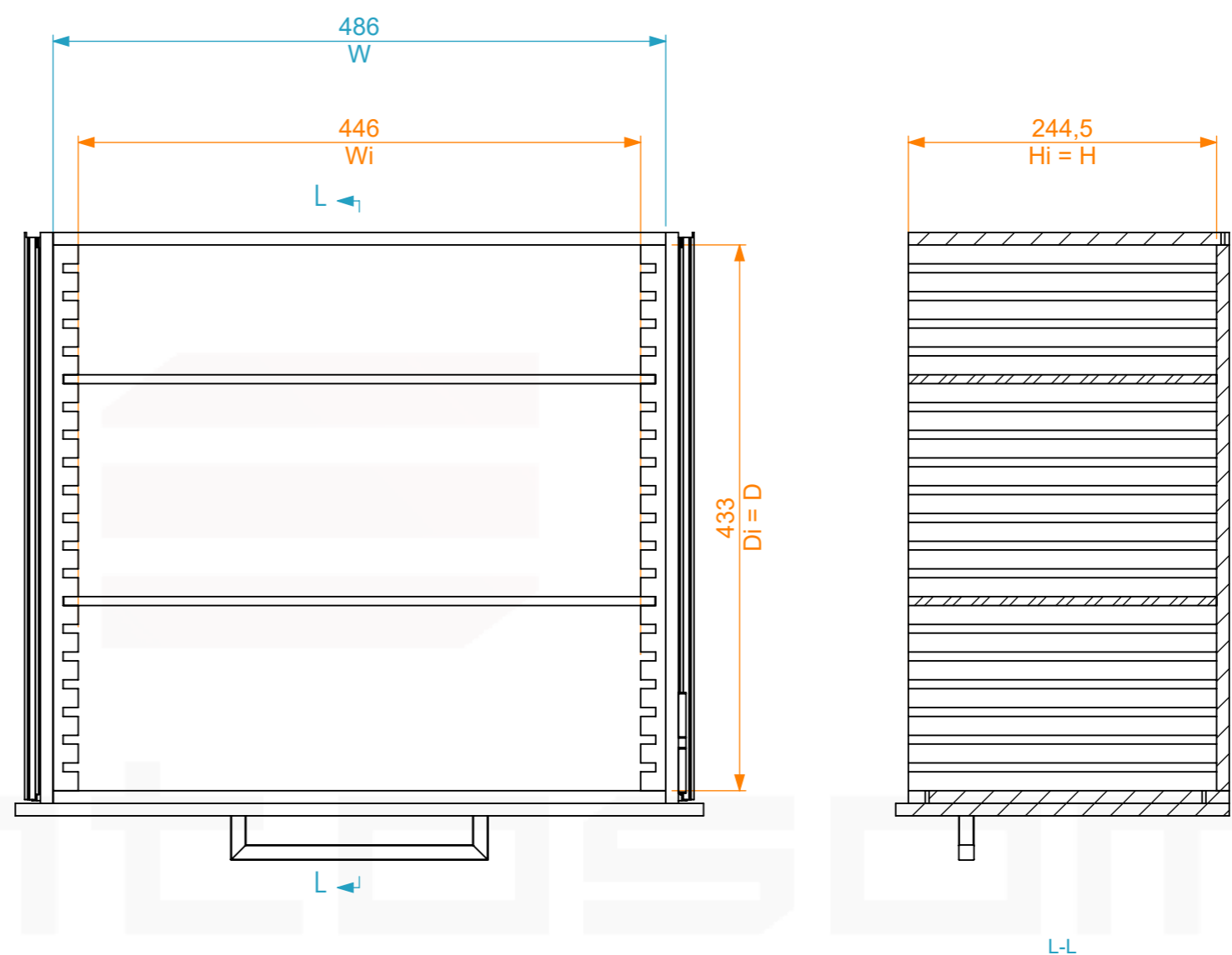


Weight	Approx. 1.22 Kg
Wall Thickness	7mm



PROFESSIONAL CASES

General External Dimensions	
W	Width
D	Depth
H	Height
Usable Inner Dimensions	
Wi	Inside Width
Di	Inside Depth
Hi	Inside Height

Name	Date
Drawn by projects	05/05/2021
Reference	DDRAW1.620
Scale	1:5
units in mm	general tolerance 0.8mm
DO NOT SCALE	
6U movable dividing wall for Drawer	



A3 This drawing must not be copied or disclosed without consent of the owner



1st Angle projection