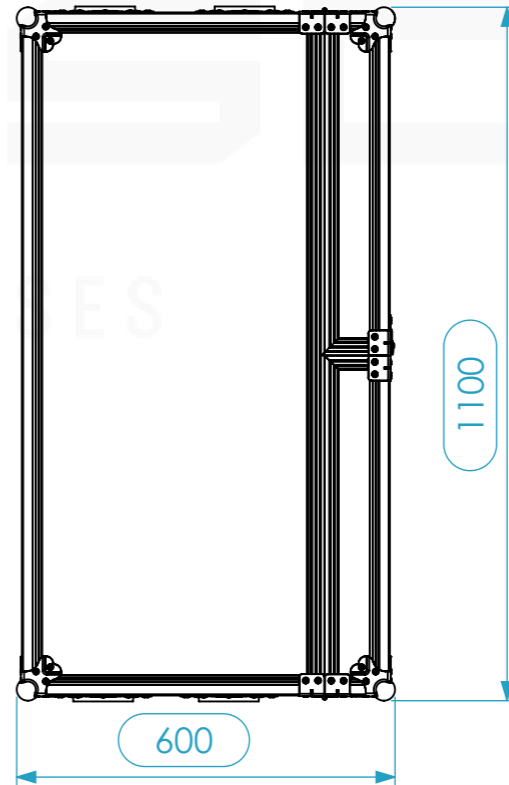
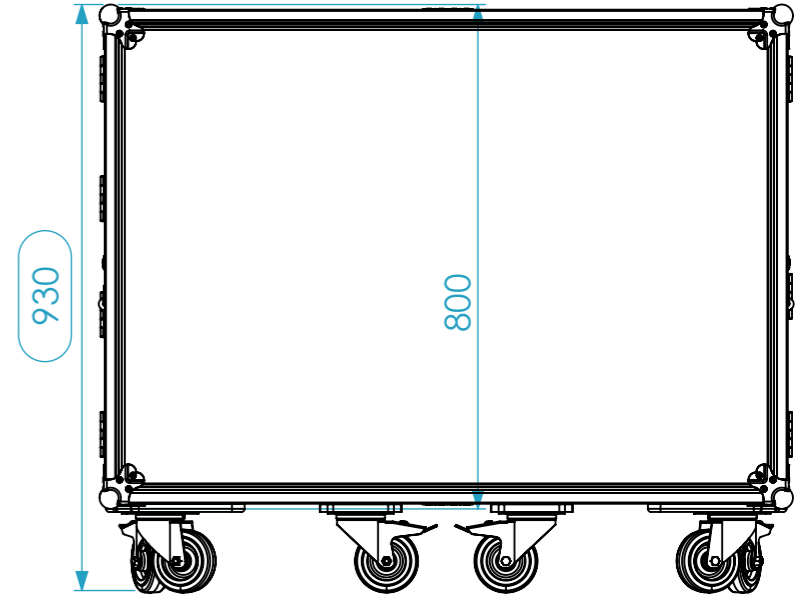
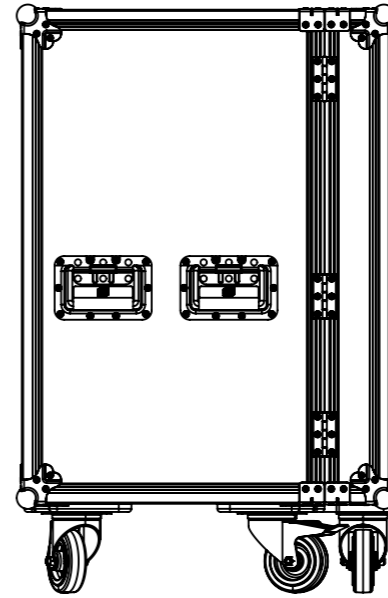
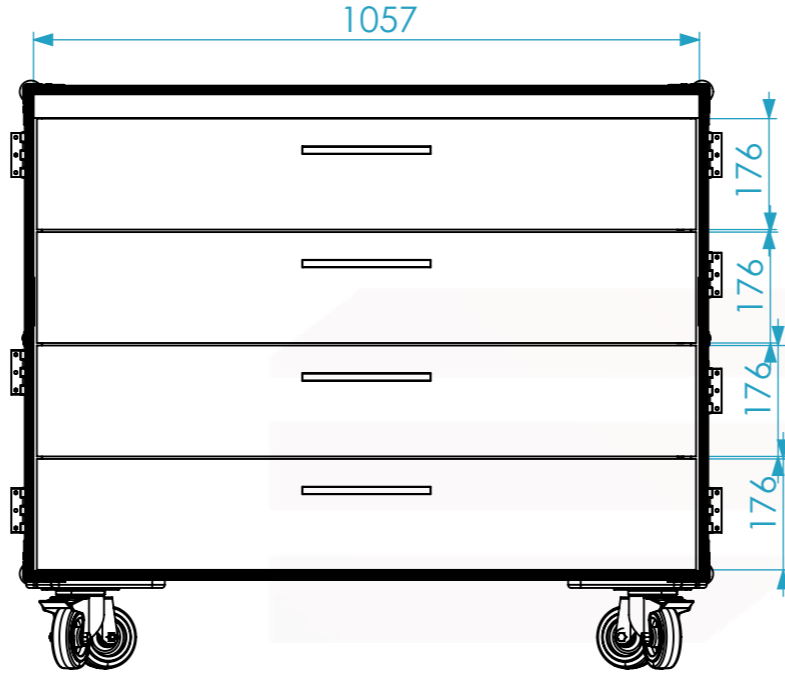
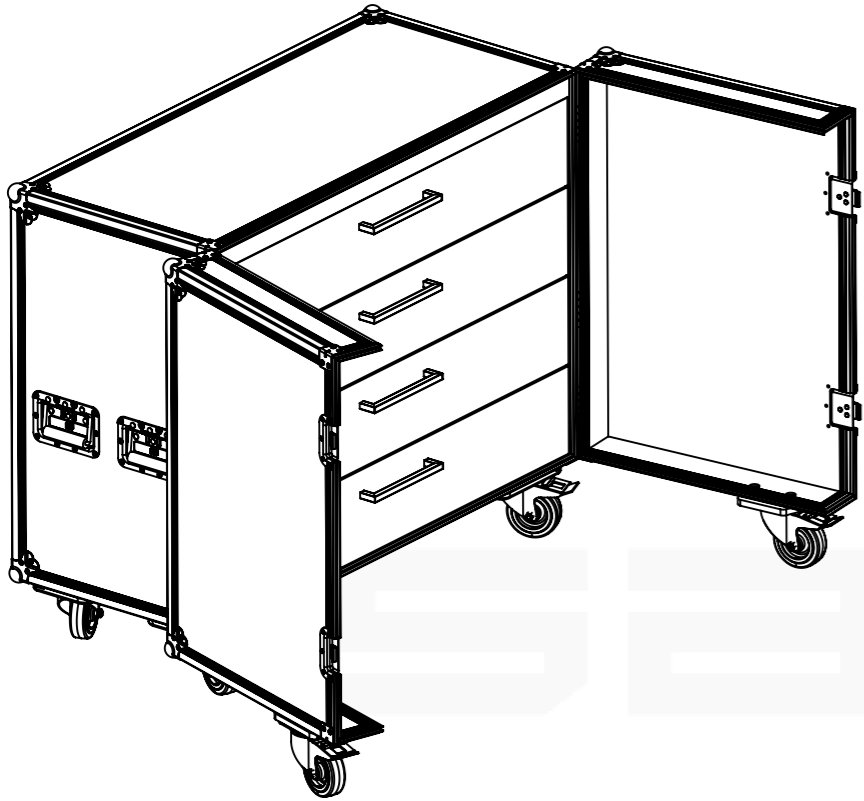


Interior dimensions

Width	Depth	Height
	556	758
Weight	Approx. 62.91 Kg	
Wall Thickness	mm	



Hardware

Qty	Ref.	Description
4	RODAS.1001	Castor plate wood black
8	410429	Heavy Duty Ball Corner
2	RODA.100	Swivel castor Ø100 mm
4	RODA.100T	Swivel castor Ø100mm with brake
2	17290S	Key lockable medium Butterfly special
4	34082	Recessed Sprung Handle Medium
12	40403	Large corner bracket f. 35mm case angle
7	2602	Medium duty butt hinge z./p.
4	DRAW110.04U	Drawer 4U for road case 1100

This drawing must not be copied or disclosed without consent of the owner

Drawn by	Name	Date
CatarinaDuque	CatarinaDuque	30-10-2017
Reference	DCBB.444D	
Scale	units in mm	general tolerance
1:12	DO NOT SCALE	0.8mm
DRAWER CASE 1D 4 DRAWERS: 4U, 4U, 4U, 4U		



A3

1st Angle projection