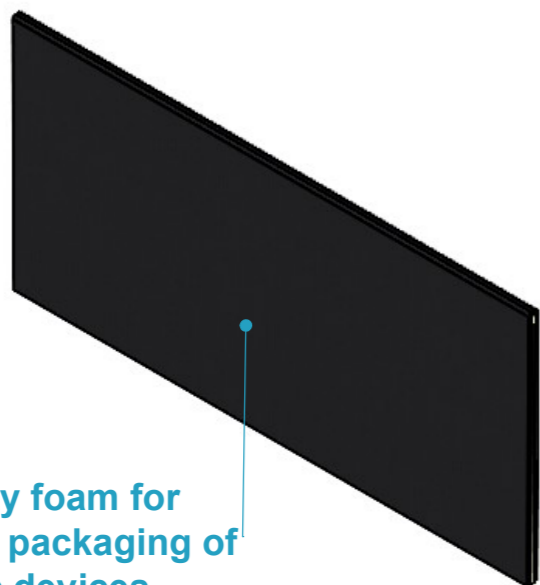
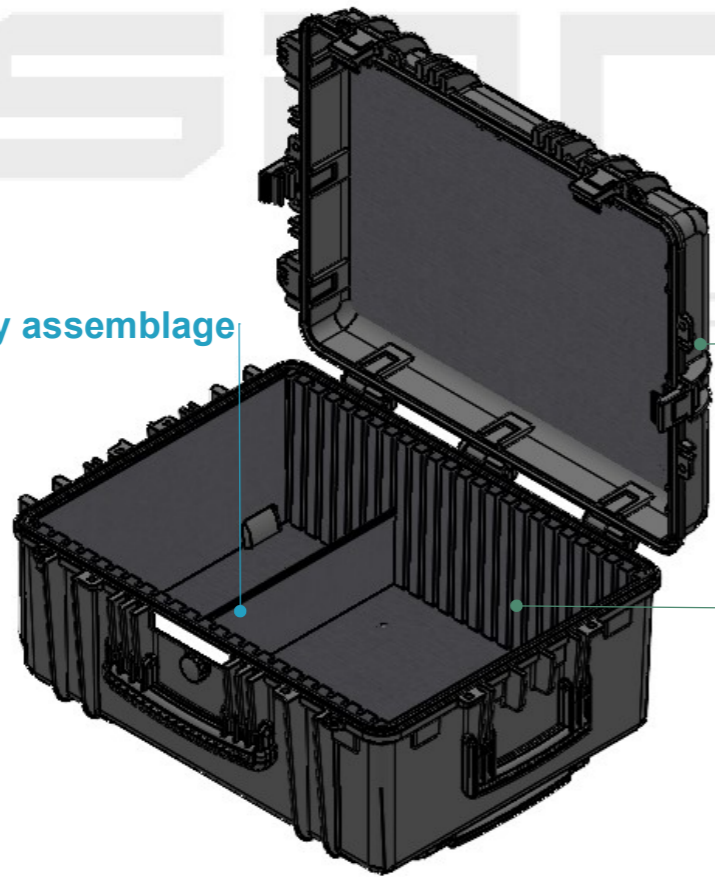
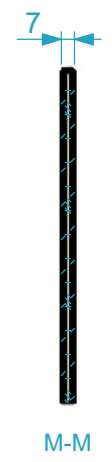
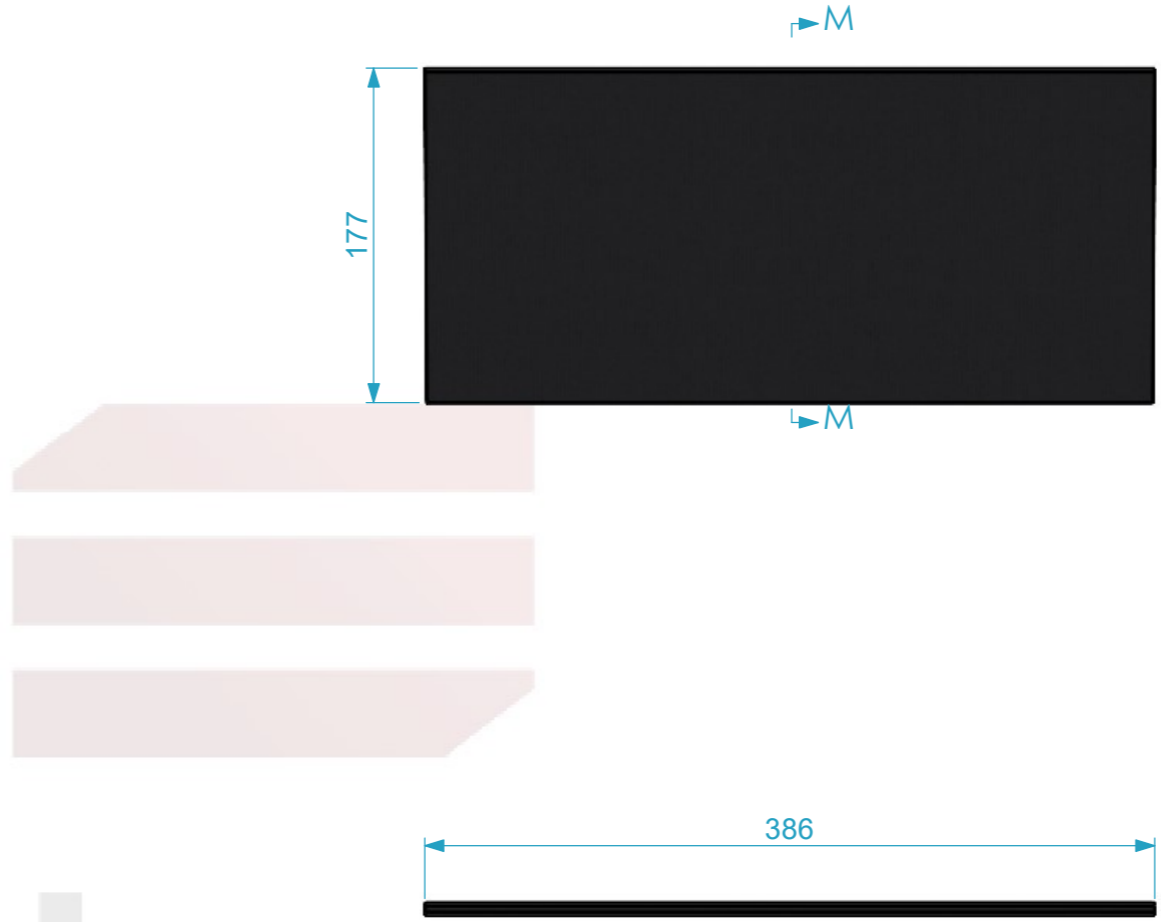


Dimensions		
Width	Depth	Height
384	177	
Thickness		7 mm



High density foam for protection and packaging of electronic devices



Easy assemblage

Explorer cases
 * 5325.BE
 * 5326.BE
 (*)

Grooved foam for dividing walls

SANTOSOM
 PROFESSIONAL CASES

(*) Related optional items, not included

General External Dimensions	
W	Width
D	Depth
H	Height

Drawn by	Name	Date
alvaro.santos	alvaro.santos	3/25/2025
Reference	D02.03803.MAX	
Scale	units in mm	general tolerance
1:4	DO NOT SCALE	0.8mm
Divisória para PX2L (5325, 5326)		



This drawing must not be copied or disclosed without consent of the owner



A3