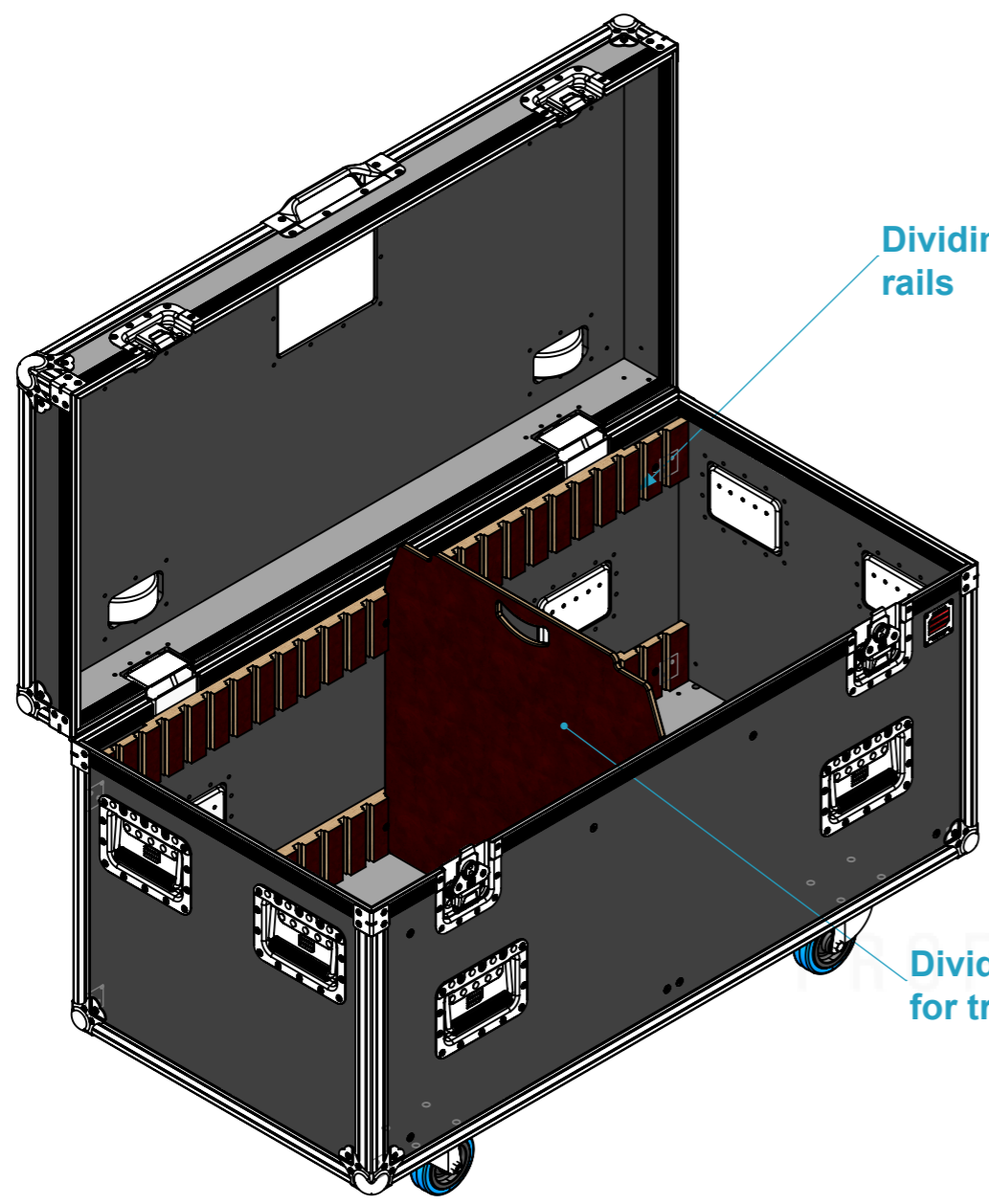


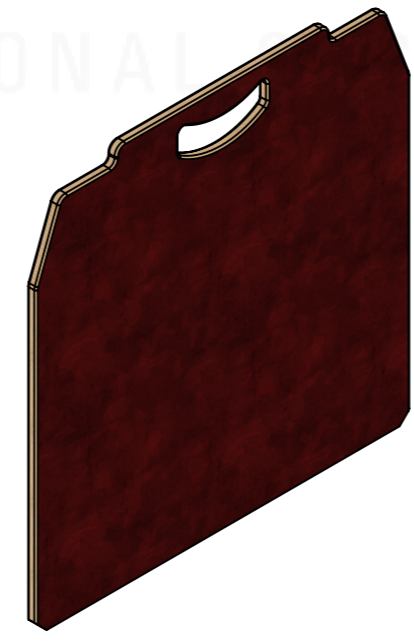
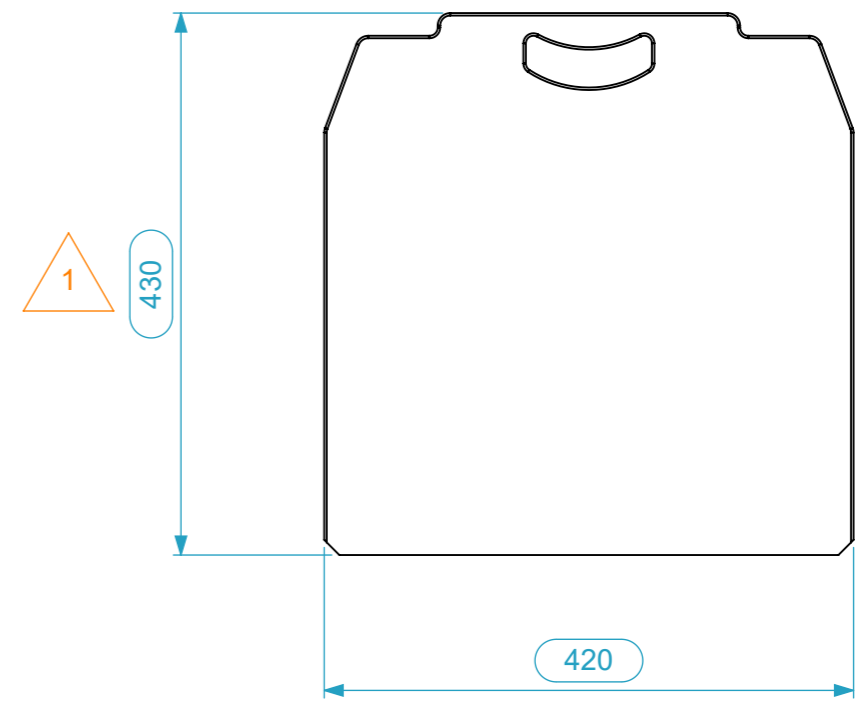
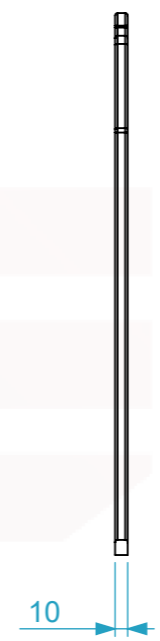
Weight	Approx. 1 Kg
Wall Thickness	10mm

REVISIONS			
REV.	DESCRIPTION	DATE	APPROVED
1	Height increased 10 mm (from 540 to 550 mm)	14-09-2018	Alexandre



Dividing wall rails

Dividing wall for trunk



Drawn by	Name	Date
alexandre	alexandre	24/06/2022
Reference	D01.04848	
Scale	units in mm	general tolerance
1:6	DO NOT SCALE	0.8mm
Divisória para ML 48.48		



This drawing must not be copied or disclosed without consent of the owner



A3