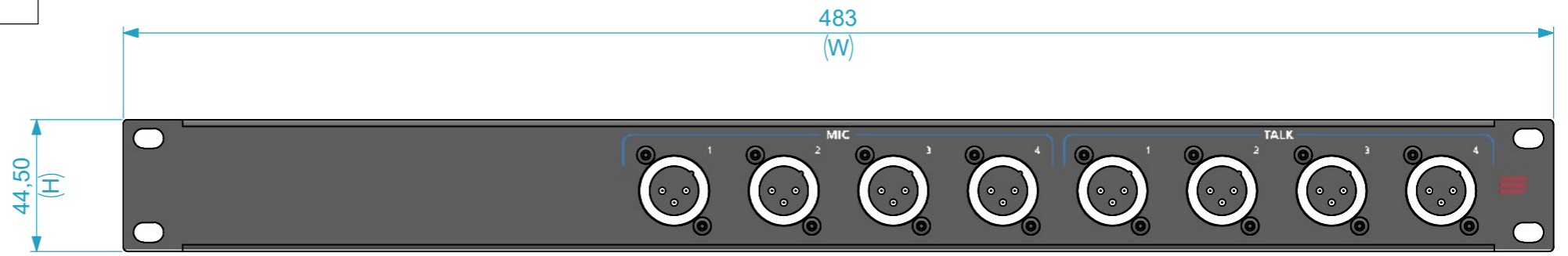


Dimensions

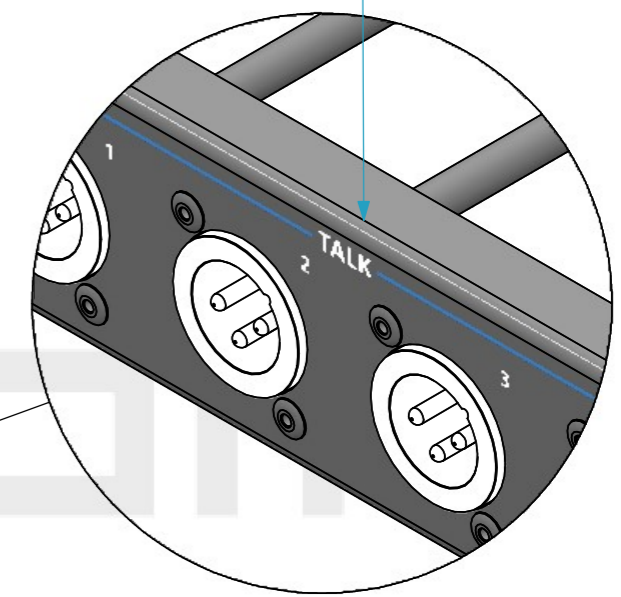
Width	Depth	Height
483	12	44.5
Weight	Approx. 0.92 Kg	



Appliance of 3 pole female receptacle, solder cups, Nickel housing and silver contacts.

19", U shaped Rack panel, 1U.
Epóxi-Polièster RAL 905, electrostatic paint, fine texture.

Multicolour UV printed



Appliance of 3 pole 3 pole 1/4" professional phone plug, nickel contacts, nickel shell

Appliance of 3 pole male receptacle, solder cups, Nickel housing and silver contacts.



General External Dimensions	
W	Width
D	Depth
H	Height

Name	Date	
Drawn by	alvaro.santos	21/05/2025
Reference	EC.MIC4.XLRMP.NP3X	
Scale	units in mm	general tolerance
1:2	DO NOT SCALE	0.8mm
1st Angle projection		



This drawing must not be copied or disclosed without consent of the owner

A3

Cabo microfone Ø4 - XLR macho painel / Jack 6.5