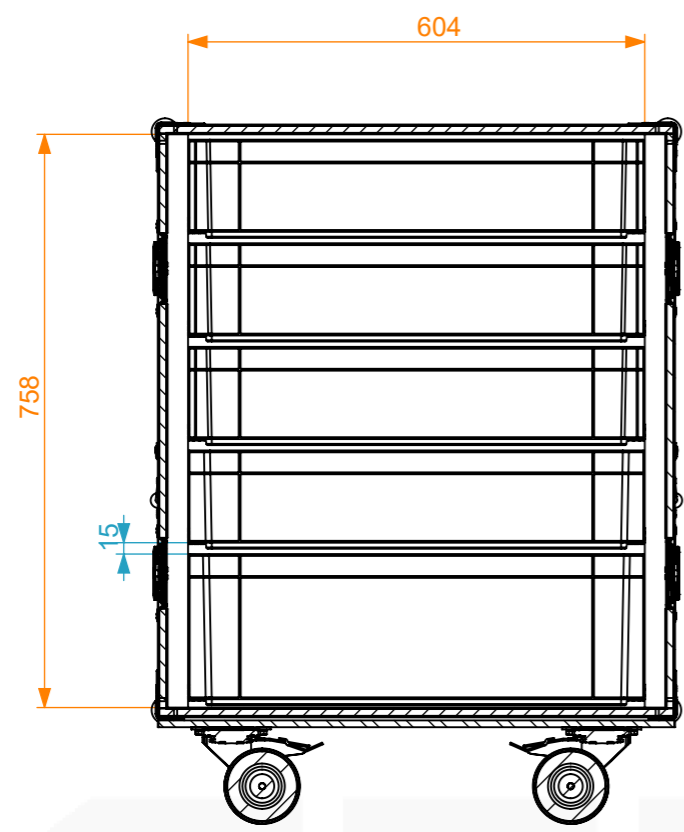
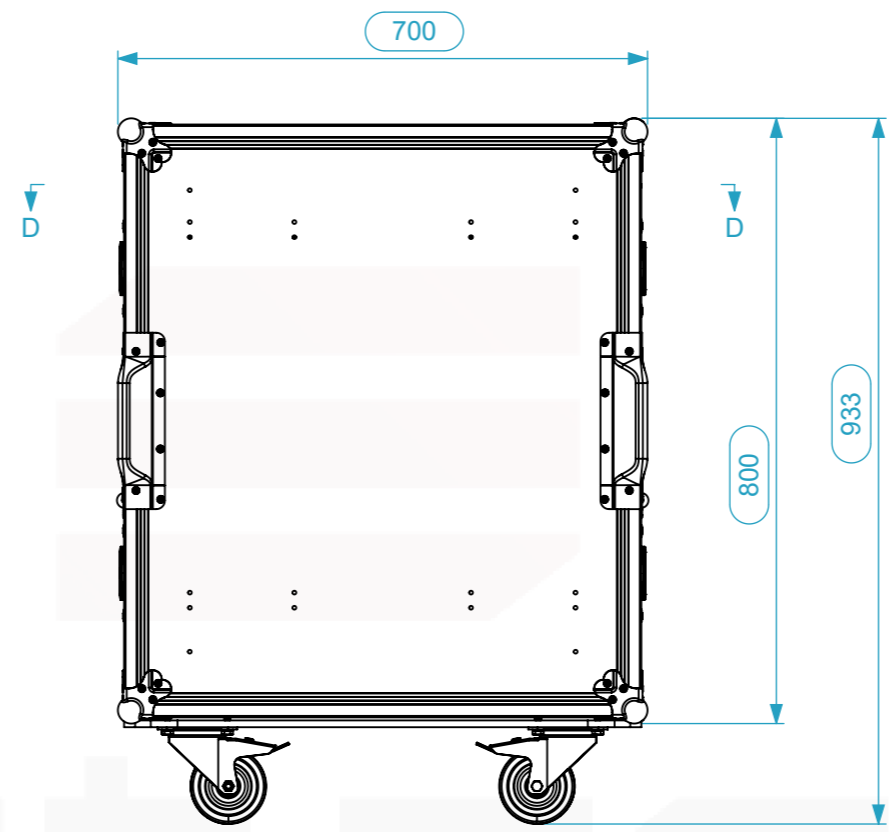


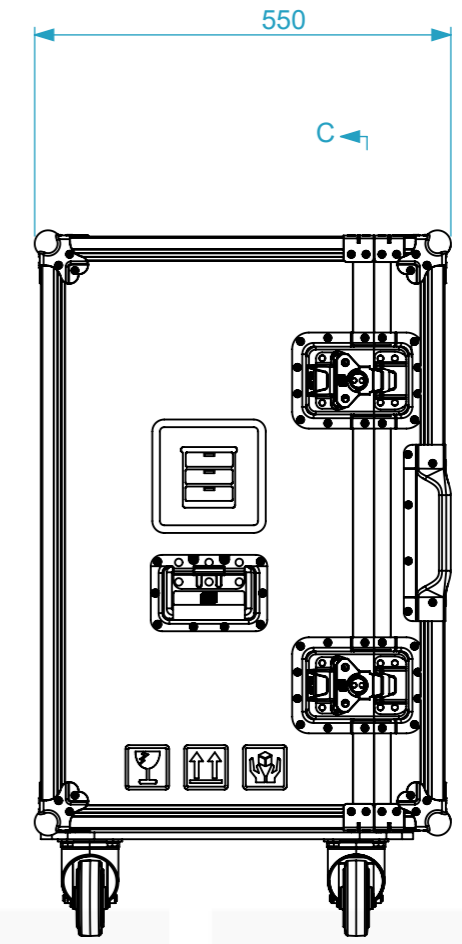
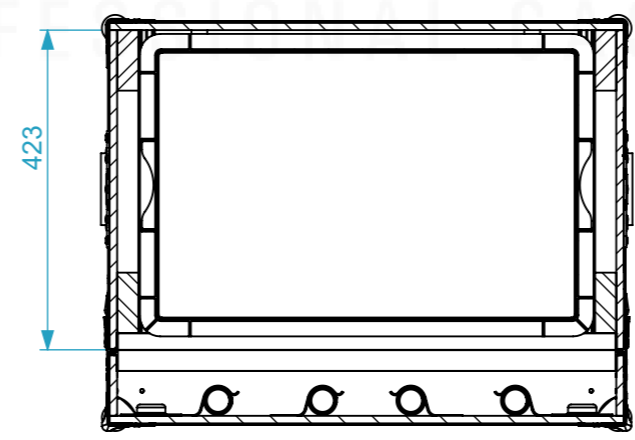
Internal Dimensions		
Width	Depth	Height
604	407	756
Weight	Approx. 36.62 Kg	
Wall Thickness	10mm	



C-C



D-D



C-C

General External Dimensions		Usable Inner Dimensions	
W	Width	Wi	Inside Width
D	Depth	Di	Inside Depth
H	Height	Hi	Inside Height

Name	Date	
Drawn by	CarlaSilva	10/04/2020
Reference	CTC1.070100A	
Scale	units in mm	general tolerance
1:10	DO NOT SCALE	0.8mm
FC X12, H1000 Caixas Plásticas		



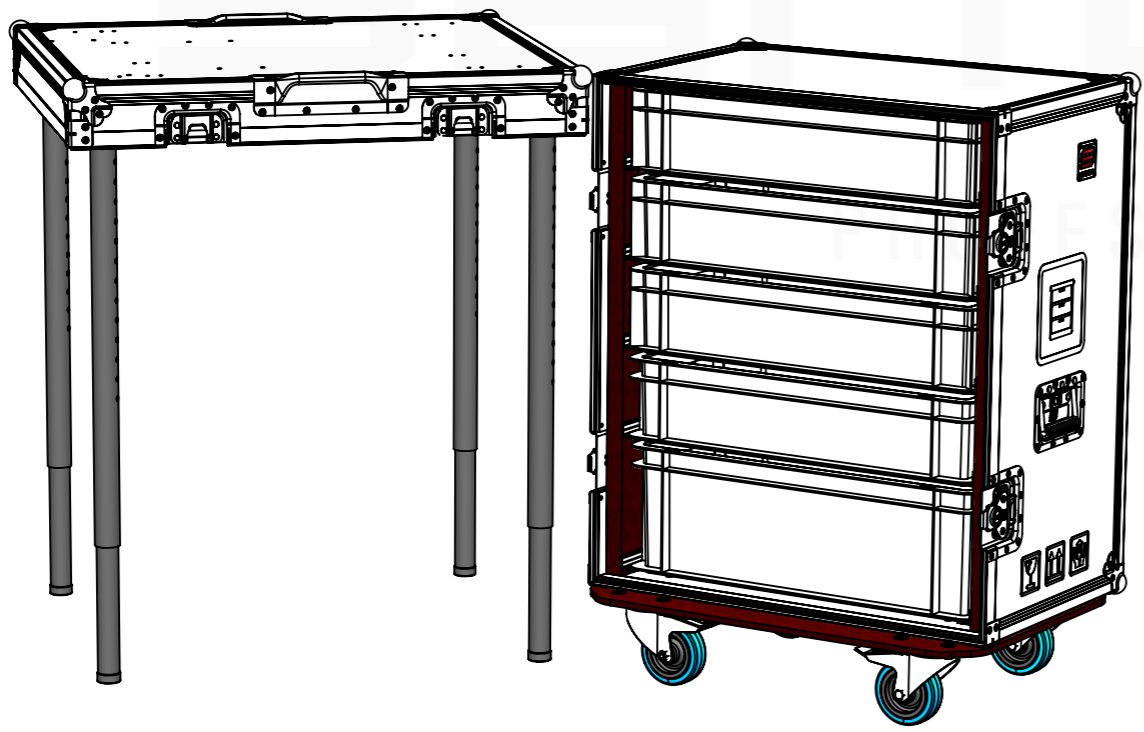
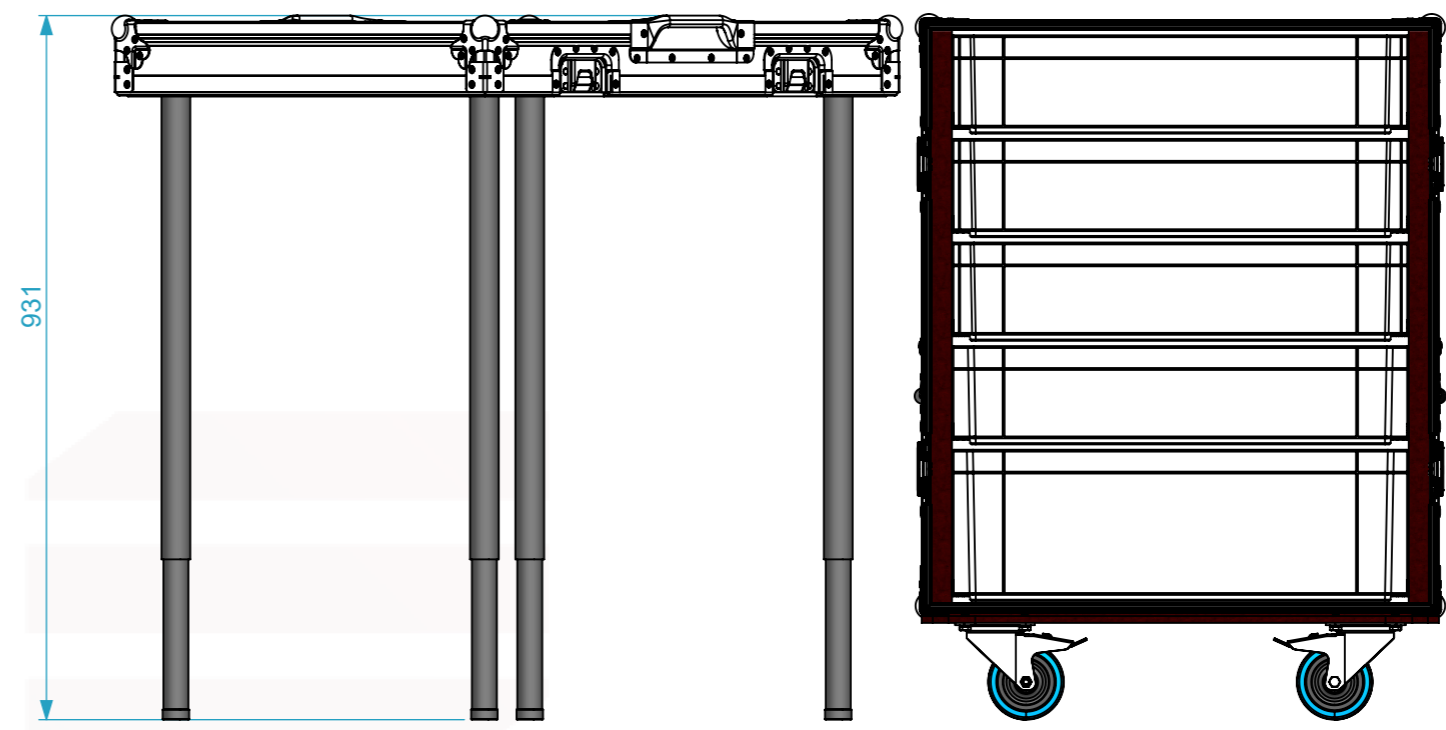
This drawing must not be copied or disclosed without consent of the owner

A3



1 2 3 4 5 6 7 8

A  
B  
C  
D  
E  
F



santosom  
PROFESSIONAL CASES

	Name	Date
Drawn by	CarlaSilva	10/04/2020
Reference		
	Scale	units in mm
	1:10	DO NOT SCALE
		general tolerance
		0.8mm

A3  
This drawing must not be copied or disclosed without consent of the owner



1 2 3 4