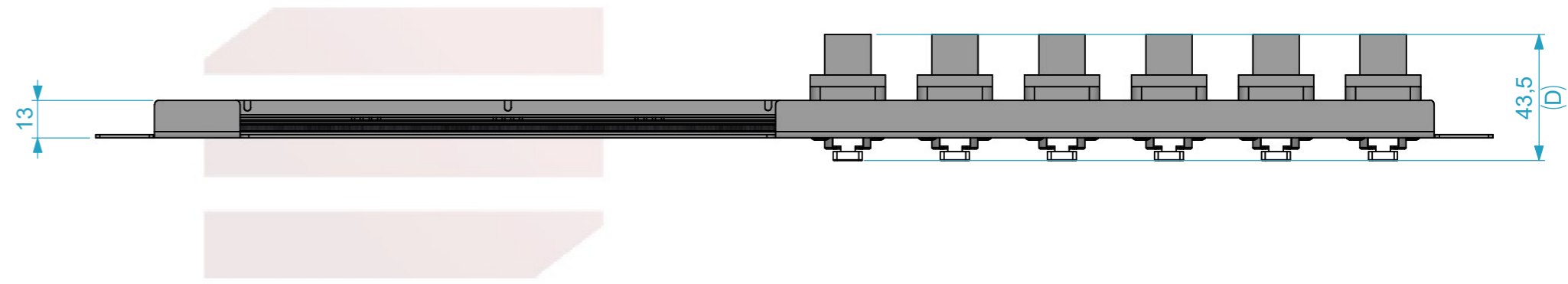
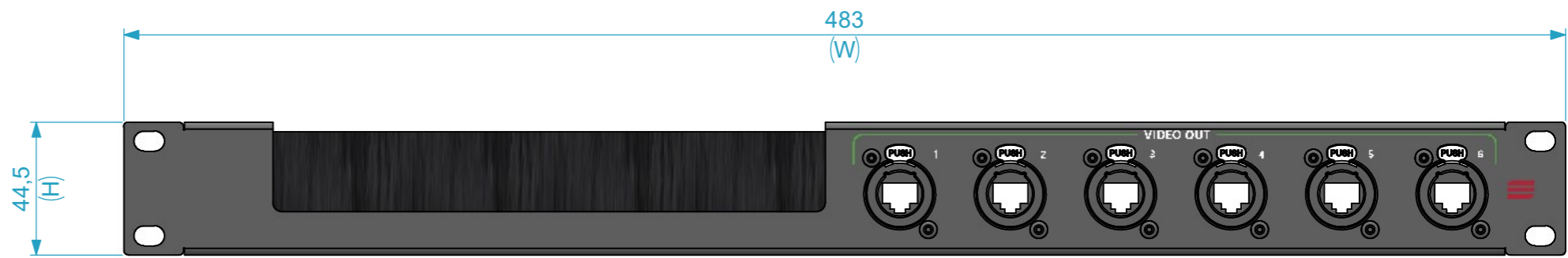


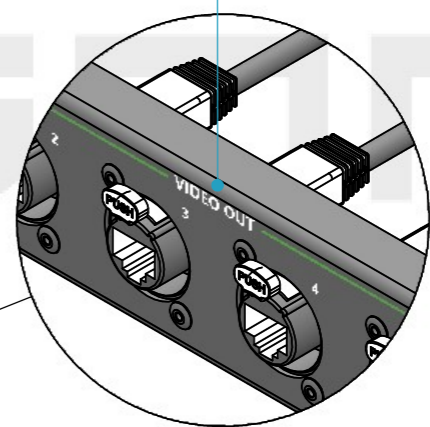
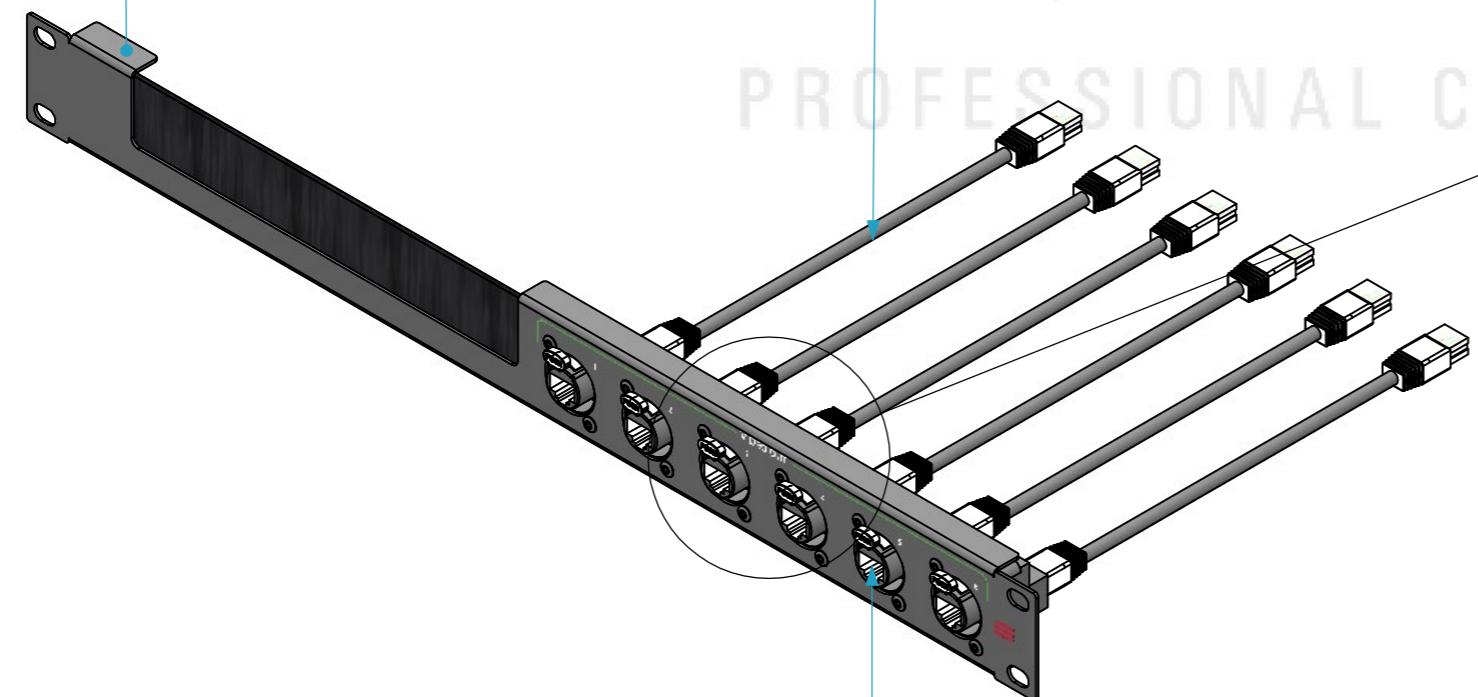
Dimensions		
Width	Depth	Height
483	43.5	44.5
Weight	Approx. 1.041.04 Kg	



UV imprint features included.

19", U shaped Rack panel, 1U.
Epóxi-Polièster RAL 905,
electrostatic paint, fine texture.

Meter long each



Appliance of EtherCON Series
RJ45 connector system.

General External Dimensions	
W	Width
D	Depth
H	Height

Name	Date
alvaro.santos	27/04/2026
CST.VD06BRU.OUT	
Scale	units in mm
1:2	DO NOT SCALE
general tolerance 0.8mm	
Kit de ligações Aud. Wireless 1U. c/ escova (OUT 1-6)	



This drawing must not be copied or disclosed without consent of the owner



A3