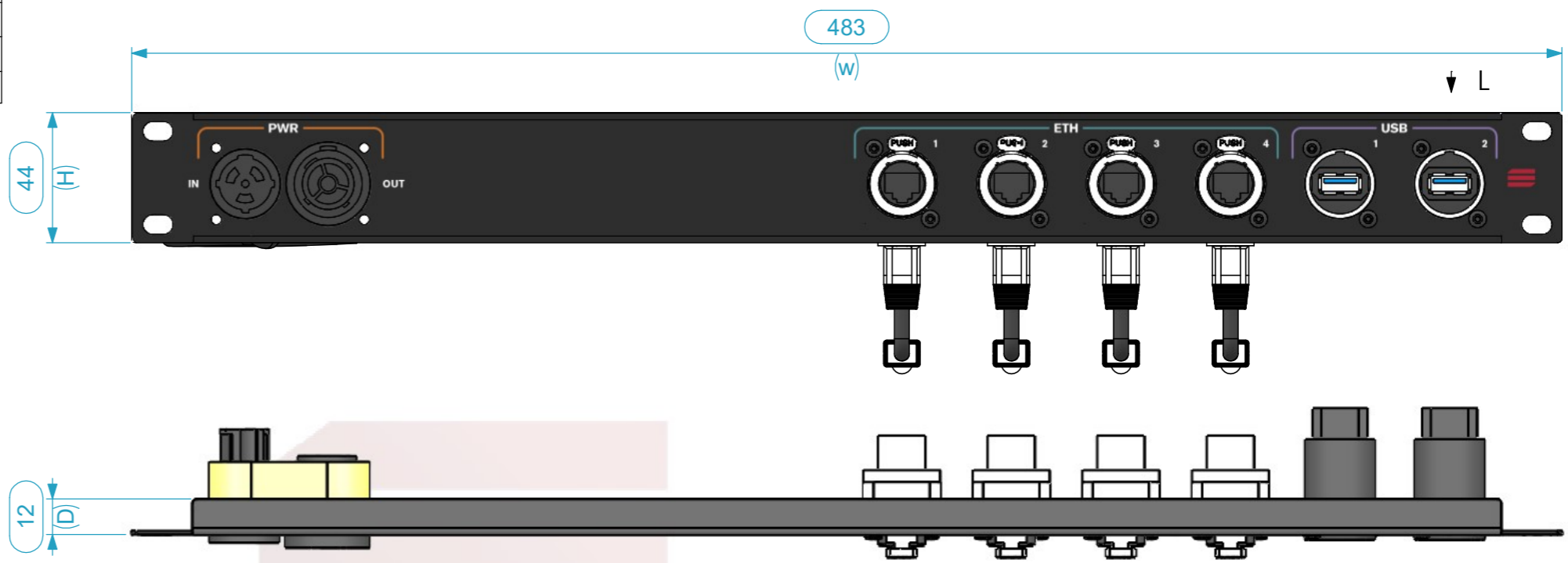


Dimensions

Width	Depth	Height
483	12	44
Weight	Approx. 1 Kg	



19", U shaped Rack panel, 1U.
Epóxi-Polièster RAL 905, electrostatic
paint, fine texture.

Socket instalation accordng the
diferent regions.
(EU, UK, US)

Multicolour UV printed info.

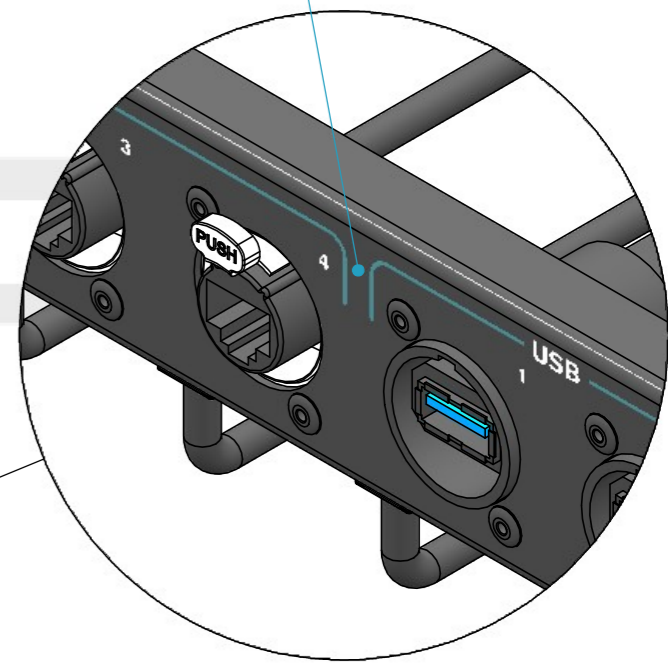
Appliance inlet-outlet
combination, 1/4" flat tab
terminals, powerCON
TRUE1 TOP with breaking
capacity (CBC).

EtherCON Series RJ45 connector system,
optimized for pro audio, video and lightning
network applications.

Reversible USB 3.0 gender changer
(type A and B), Nickel D-housing
(Not compatible with NKUSB-* cables).

(4x) RJ45 U/UTP
Cat.5e Cable
(*)

(2x) USB2.0 type A +
USB type B cable
(*)



(*) Not included

General External Dimensions	
W	Width
D	Depth
H	Height

Name	alvaro.santos	
Date	05/07/2024	
Reference	CST.IF08	
Scale	1:2	units in mm
DO NOT SCALE	DO NOT SCALE	general tolerance 0.8mm
Kit ligações (PWR, 4 ETH, 2 USB)		



This drawing must not be copied or disclosed without consent of the owner



A3