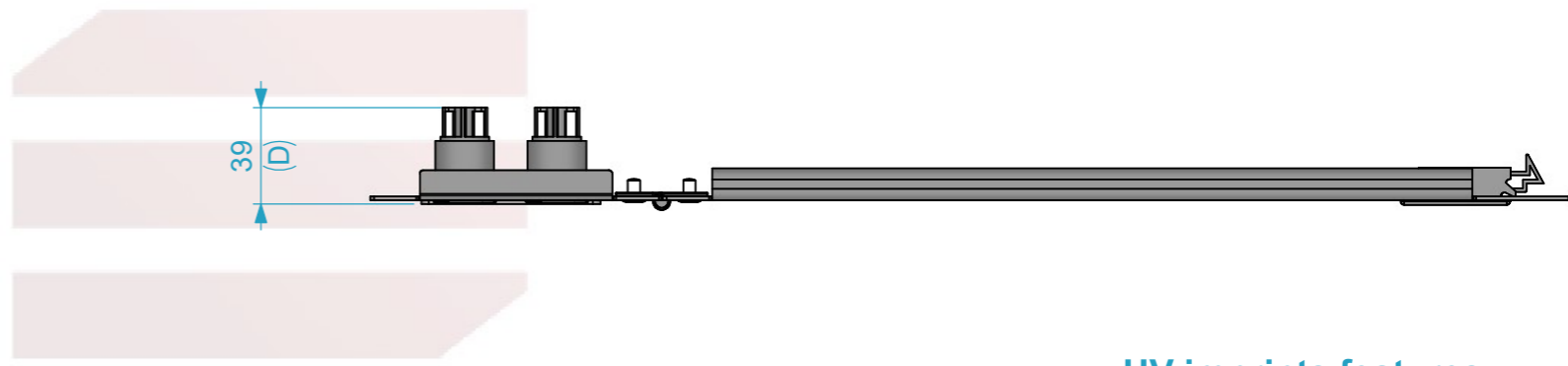
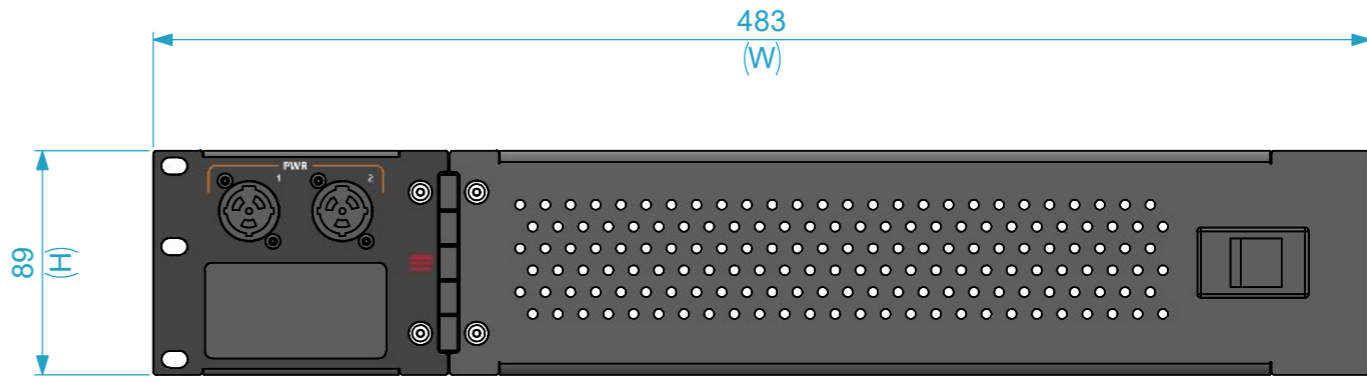


**Dimensions**

|               |                 |               |
|---------------|-----------------|---------------|
| <b>Width</b>  | <b>Depth</b>    | <b>Height</b> |
| 483           | 41              | 89            |
| <b>Weight</b> | Approx. 0.36 Kg |               |



Cables, 1m long

PowerCON TRUE1 connector series with breaking capacity (CBC)

UV imprints features included



Appliance inlet connector, 1/4" flat tab terminals

19", U shaped Rack panel, 2U. Epóxi-Polièster RAL 905, electrostatic paint, fine texture.

| General External Dimensions |        |
|-----------------------------|--------|
| W                           | Width  |
| D                           | Depth  |
| H                           | Height |

|   |               |                   |
|---|---------------|-------------------|
| Drawn by                                | Name          | Date              |
| alvaro.santos                           | alvaro.santos | 08/06/2026        |
| Reference                               | CST.EL02.IN   |                   |
| Scale                                   | units in mm   | general tolerance |
| 1:3                                     | DO NOT SCALE  | 0.8mm             |
| Porta com kit de ligações 2U. (PWR 1-2) |               |                   |



This drawing must not be copied or disclosed without consent of the owner



A3