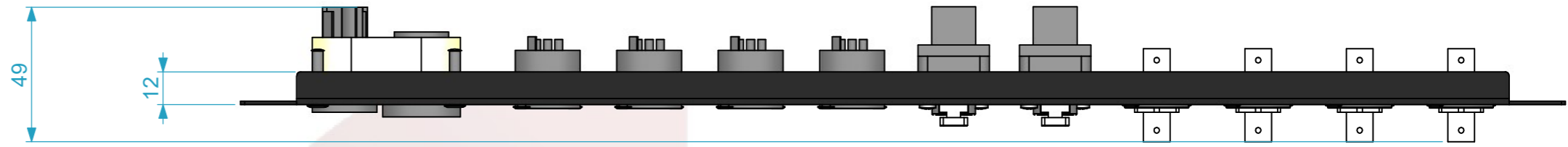
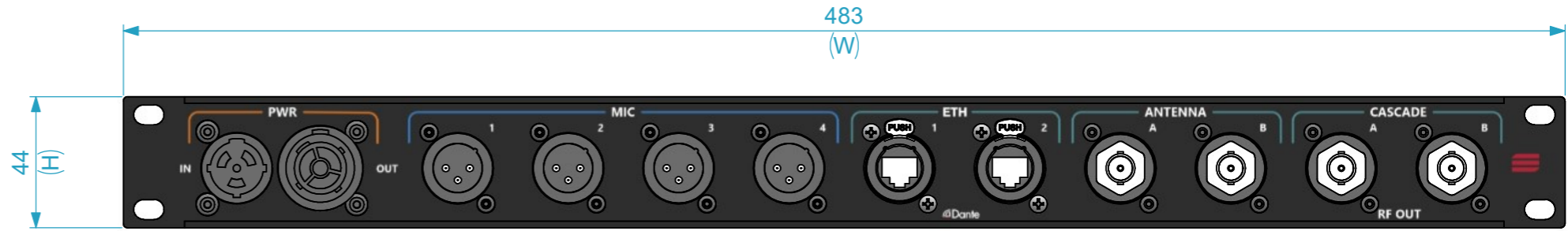


Dimensions

Width	Depth	Height
483	49	44
Weight	Approx. 1 Kg	



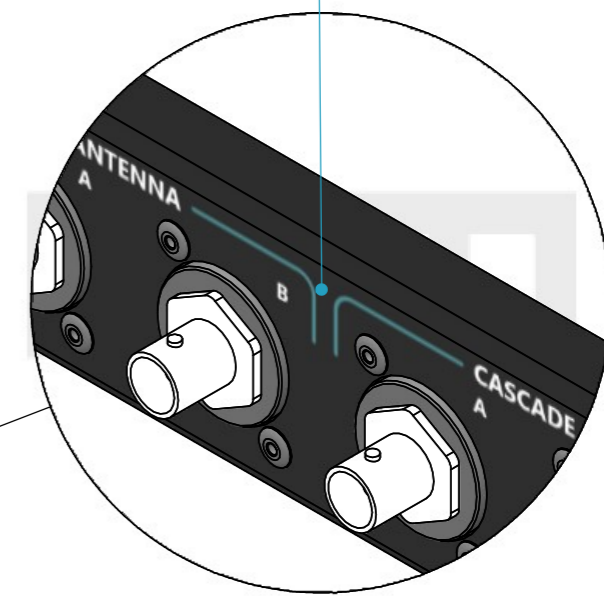
3 pole female cable connector with Nickel housing and silver contacts.

UV imprint features included

19", U shaped Rack panel, 1U.
Epóxi-Polièster RAL 905, electrostatic paint, fine texture.

Appliance inlet-outlet combination 1/4" flat tab terminals, powerCON TRUE1 TOP with breaking capacity (CBC)

3 pole male receptacle, solder cups, Nickel housing and silver contacts.



Pair of wideband cascade ports supply wideband RF signals for additional antenna distribution amplifiers or Spectrum Managers. (50 Ohm)

Appliance of EtherCON Series RJ45 connector system, optimized for pro audio, video and lightning network applications.

Appliance of Grounded BNC bulkhead, feedthrough, grounded.
BNC-JACK/JACK BLKHD ADAPTE 50 OHM.

General External Dimensions	
W	Width
D	Depth
H	Height

Name	alvaro.santos	
Date	25/07/2025	
Reference	CST.AW12.MIC4	
Scale	1:2	units in mm DO NOT SCALE
general tolerance	0.6mm	
Kit de ligações 1U, True1, (4 Mic + 2 ETH + 4 BNC)		



This drawing must not be copied or disclosed without consent of the owner



A3