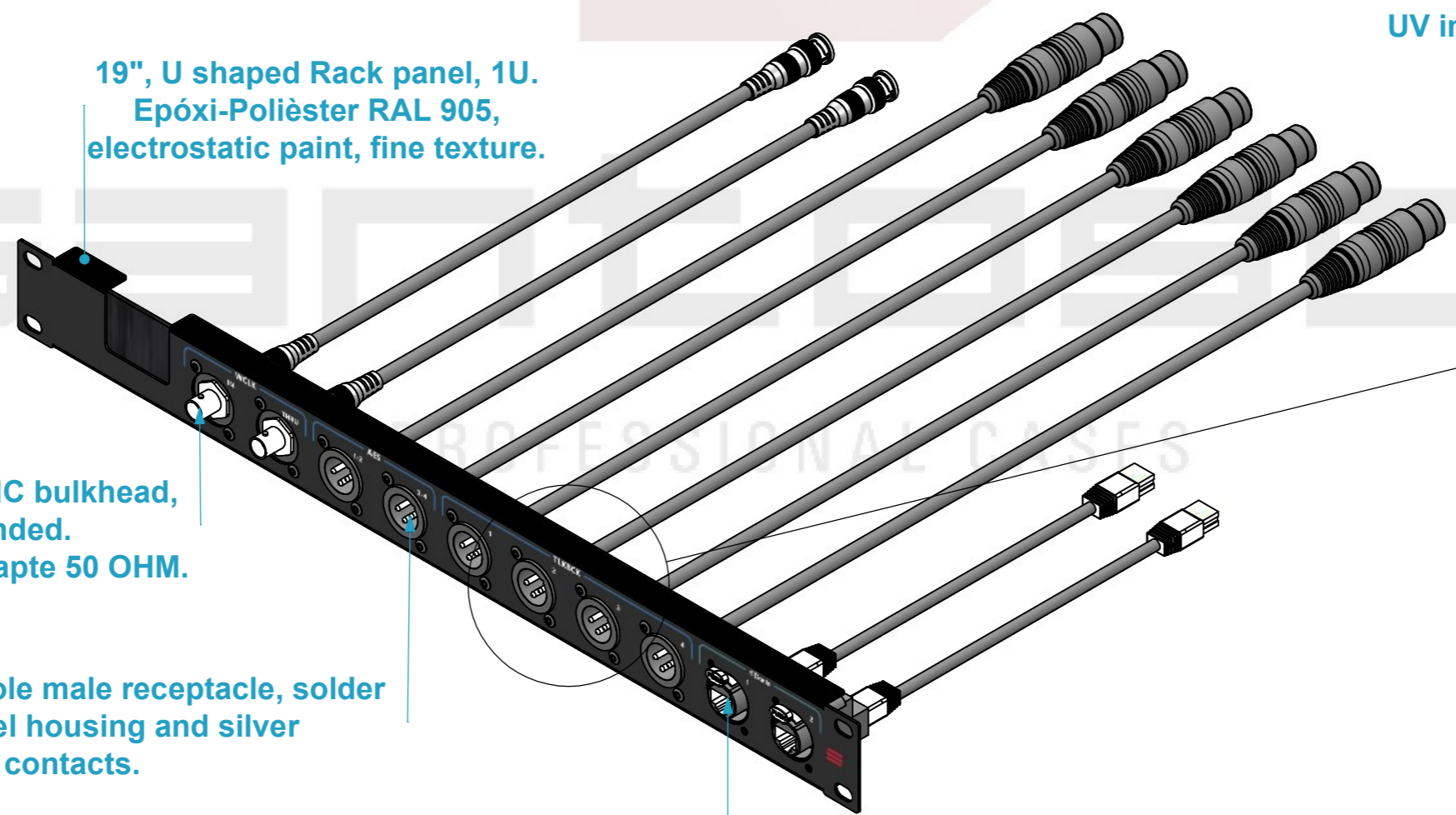
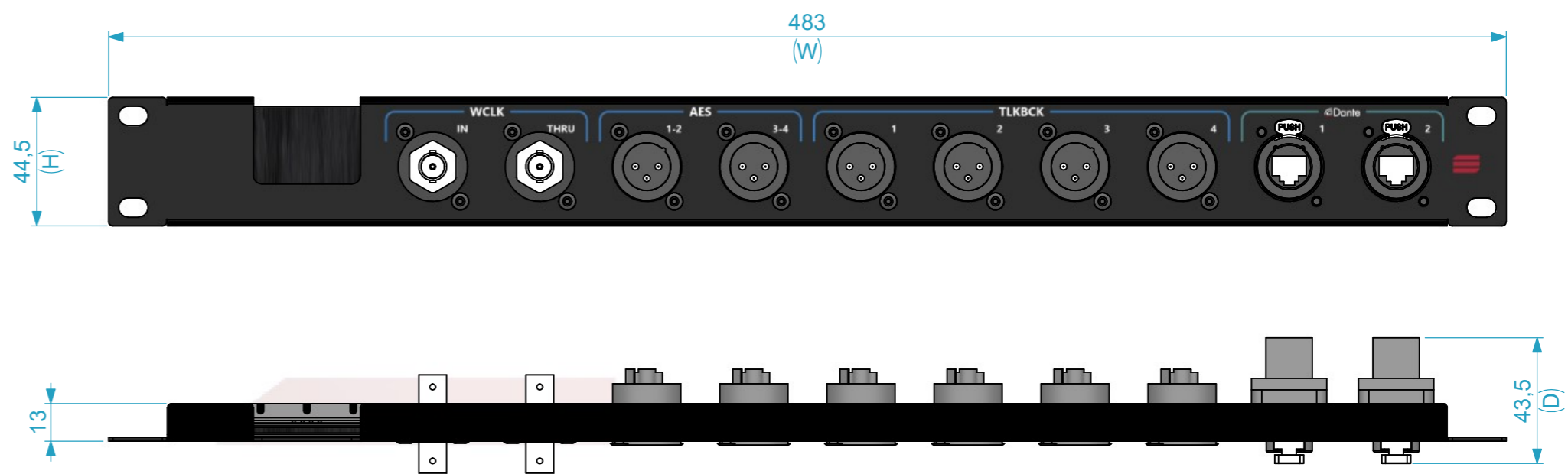


**Dimensions**

<b>Width</b>	<b>Depth</b>	<b>Height</b>
483	43.5	44.5
<b>Weight</b>	Approx. 0.89 Kg	



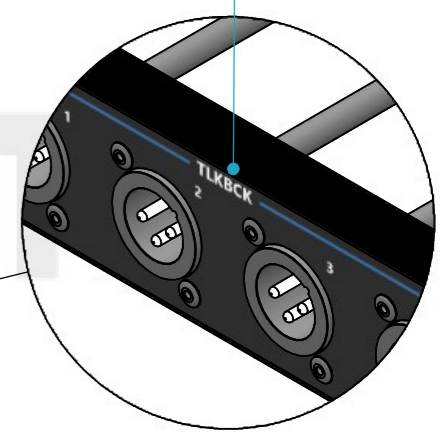
19", U shaped Rack panel, 1U.  
Epóxi-Poliéster RAL 905,  
electrostatic paint, fine texture.

Appliance of Grounded BNC bulkhead,  
feedthrough, grounded.  
BNC-Jack/ Jack BLKHD adapte 50 OHM.

Appliance of 3 pole male receptacle, solder  
cups, Nickel housing and silver  
contacts.

appliance of EtherCON Series RJ45 connector system,  
optimized for pro audio, video and lightning  
network applications.

UV imprint features included.



General External Dimensions	
W	Width
D	Depth
H	Height

Name	alvaro.santos	
Date	11/05/2026	
Reference	CST.AW10BRU.AESTLK	
Scale	1:2	units in mm
DO NOT SCALE	general tolerance 0.8mm	
1st Angle projection		
Painel de Rack 2U, c/ impressão, (AES, TLKBACK, DANTE)		



This drawing must not be copied or disclosed without consent of the owner

A3