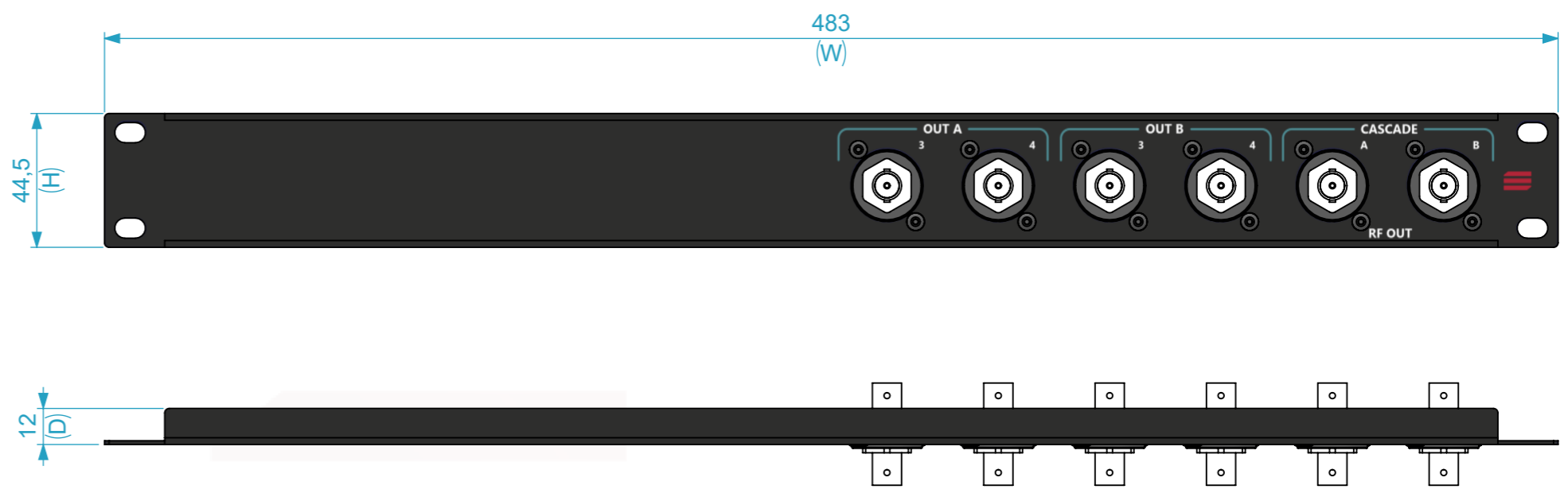


**Dimensions**

<b>Width</b>	<b>Depth</b>	<b>Height</b>
483	12	44.5
<b>Weight</b>	Approx. 0.42 Kg	

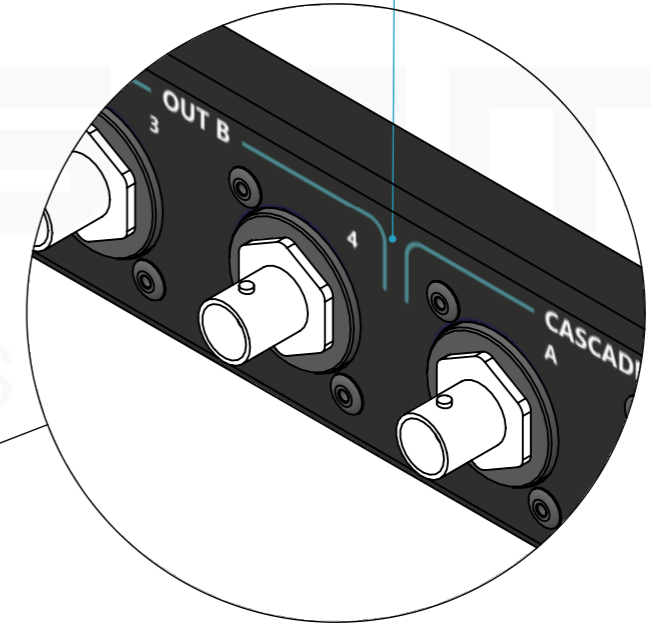


19", U shaped Rack panel, 1U.  
Epóxi-Polièster RAL 905,  
electrostatic paint, fine texture.

Multicolor UV printed features  
included.



Grounded BNC bulkhead,  
feedthrough, grounded.  
BNC-Jack/Jack BLKHD adapte 50 OHM.



General External Dimensions	
W	Width
D	Depth
H	Height

	<b>Name</b>	<b>Date</b>
Drawn by	alvaro.santos	23/10/2023
Reference	CST.AW06.BNC2	
Scale	1:2	units in mm DO NOT SCALE
		general tolerance 0.8mm
	Kit de ligações 1U. 2 OUT (A+B) + 2 CASCADE	



This drawing must not be copied or disclosed without consent of the owner



A3