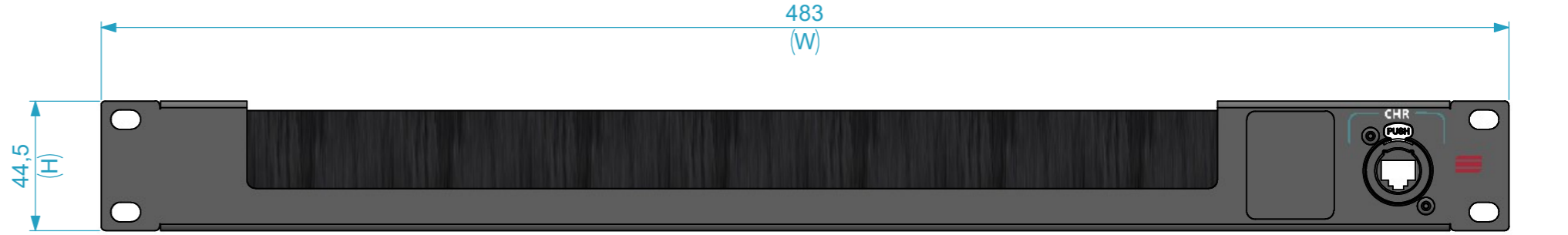


| Dimensions | | |
|------------|-----------------|--------|
| Width | Depth | Height |
| 483 | 43.5 | 44.5 |
| Weight | Approx. 0.36 Kg | |

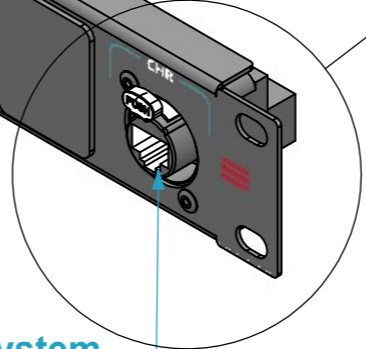
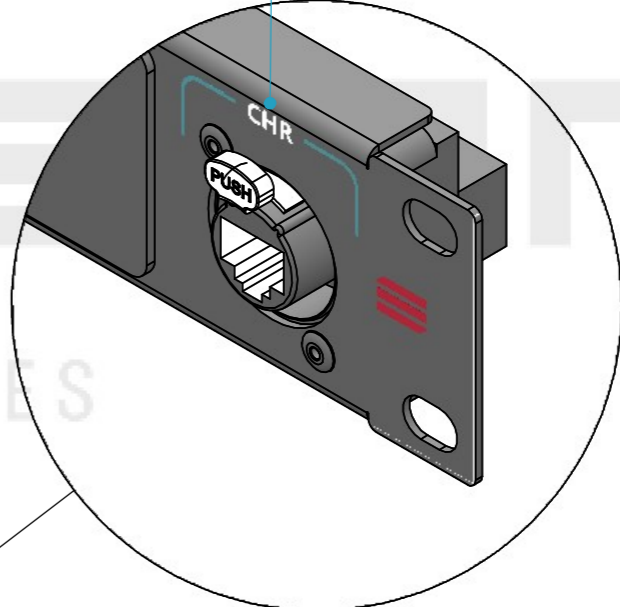


19", U shaped Rack panel, 1U.
Epóxi-Polièster RAL 905, electrostatic
paint, fine texture.

Multicolor UV imprint
features included

High durability anti dust brush strip
synthetic, anti-static

EtherCON Series RJ45 connector system,
optimized for pro audio, video and lightning
network applications.



| General External Dimensions | |
|-----------------------------|--------|
| W | Width |
| D | Depth |
| H | Height |

| | |
|--------------------------------------|-------------------------|
| Name | Date |
| Drawn by alvaro.santos | 05/08/2025 |
| Reference | CST.AW01BRU.CHR |
| Scale | 1:2 |
| units in mm | general tolerance 0.8mm |
| DO NOT SCALE | |
| Kit de ligações 1U, com escova (CHR) | |



This drawing must not be copied or disclosed without consent of the owner



A3