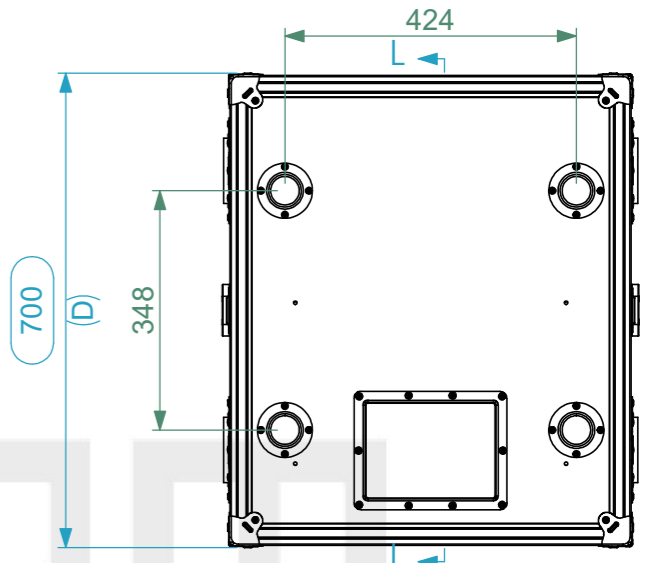
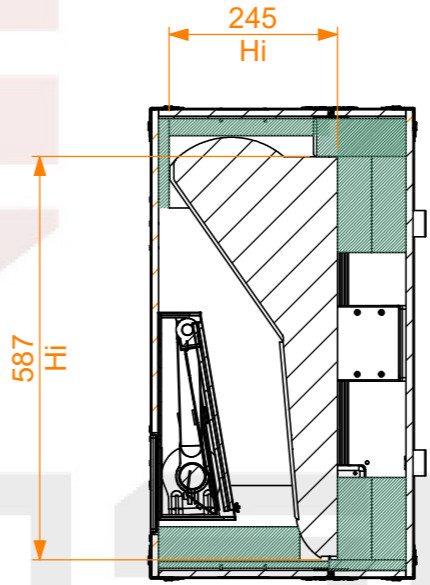
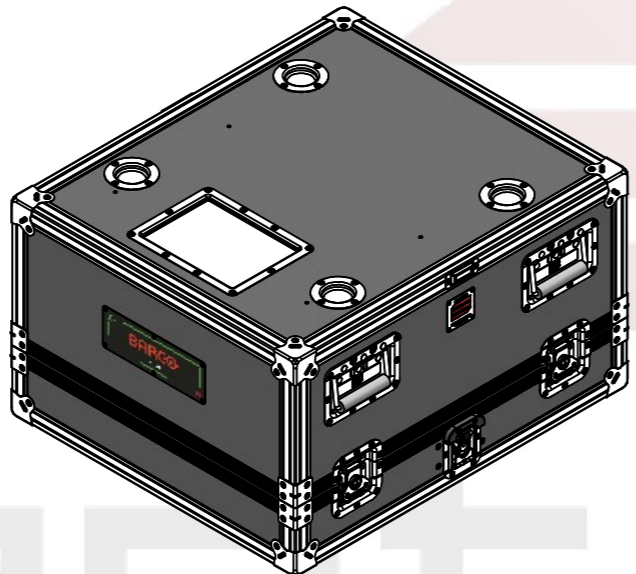
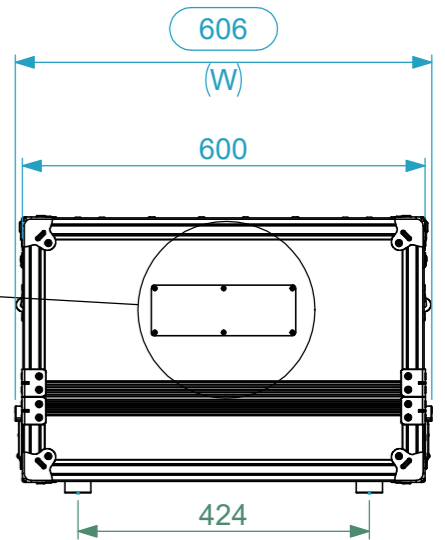
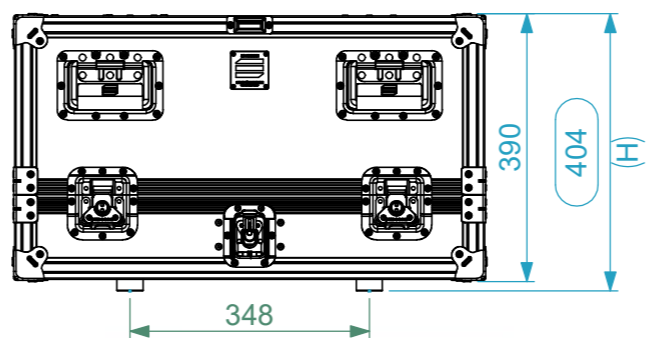
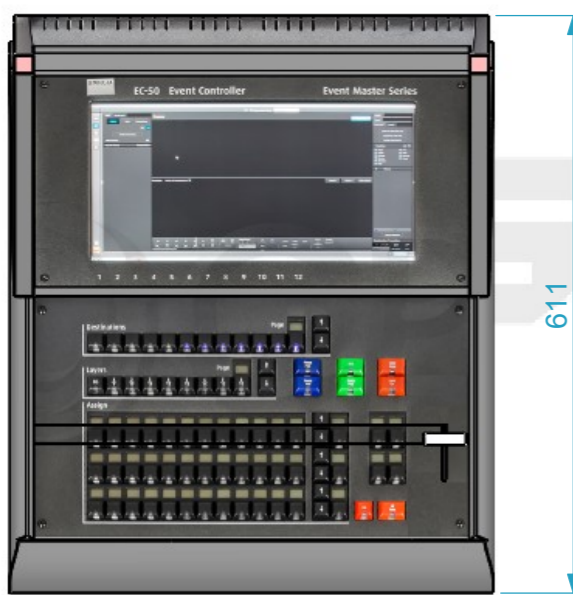
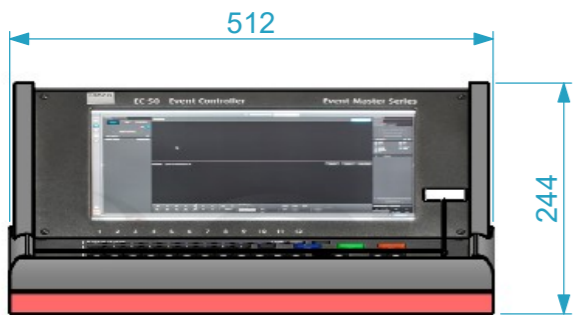


Equipment		Barco EC-50	
Width	Depth	Height	
511.6	610	244	
Weight	Approx. 12.33.5 Kg		
Internal Dimensions			
Width	Depth	Height	
514	587	245	
Weight	Approx. 25.26 Kg		
Wall Thickness		mm	



STACKING WITH A RCS RACK (600 mm DEPTH)



Drop Base



General External Dimensions		Usable Inner Dimensions	
W	Width	Wi	Inside Width
D	Depth	Di	Inside Depth
H	Height	Hi	Inside Height

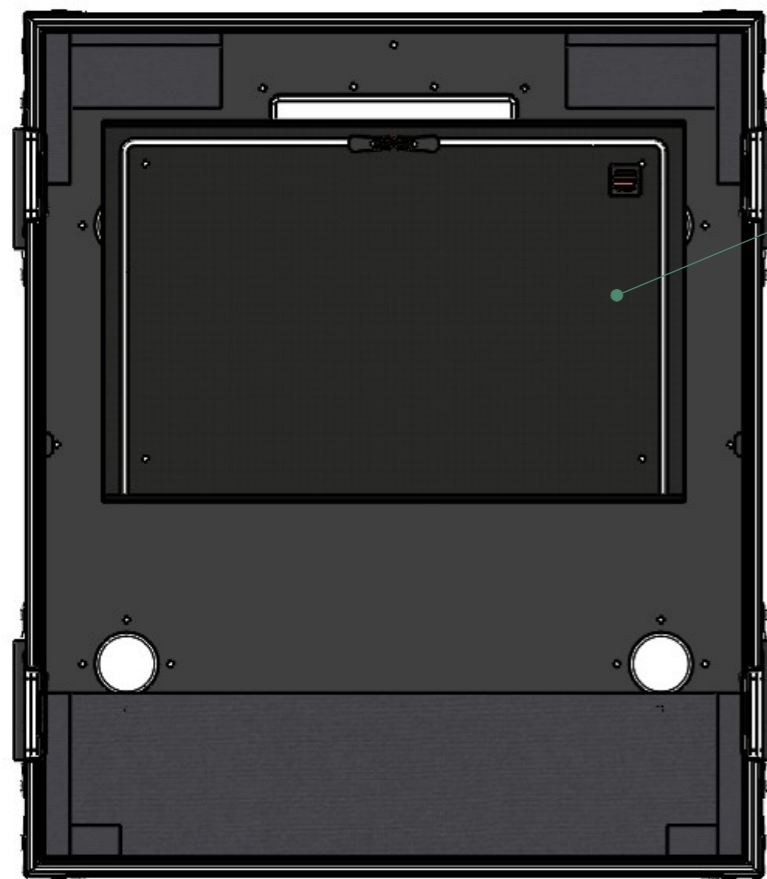
Name	Date
Drawn by jose.couto	18/06/2026
Reference	CSRCS.BRCEC50
Scale	1:11
units in mm	general tolerance 0.8mm
DO NOT SCALE	
FC L12B, Barco EC-50 (Stackable)	



This drawing must not be copied or disclosed without consent of the owner



A3



Bag for Accessories



Column

Support for Shout



Laptop

Universal Support for Laptop with Swivel Arm

Equipments	Not included
Accessories	Optional
Accessories	Included

This drawing must not be copied or disclosed without consent of the owner



Scale 1:6

units in mm
DO NOT SCALE
general tolerance 0.8mm

FC L12B, Barco EC-50 (Stackable)



A3