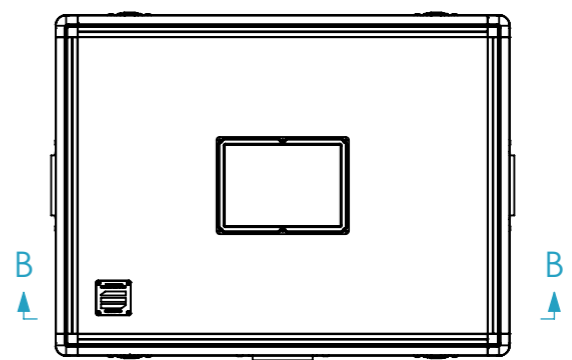
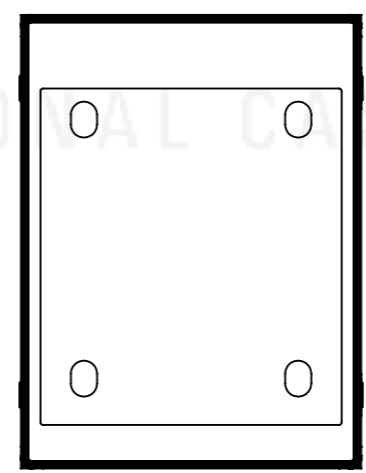
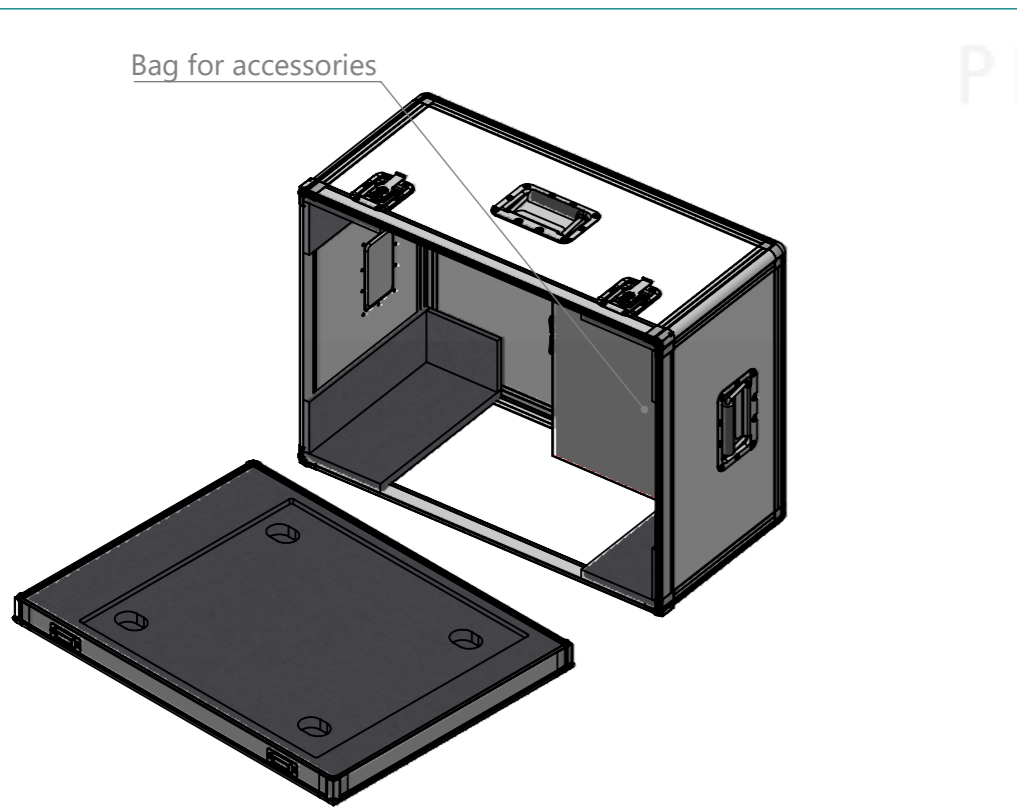
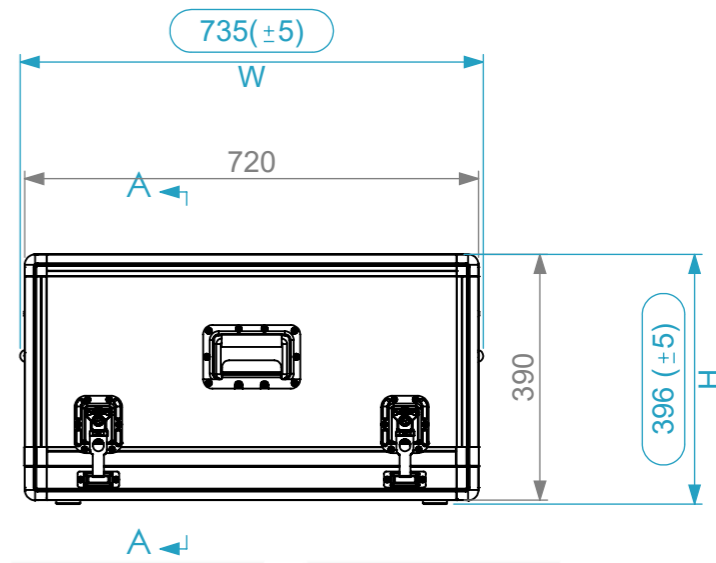
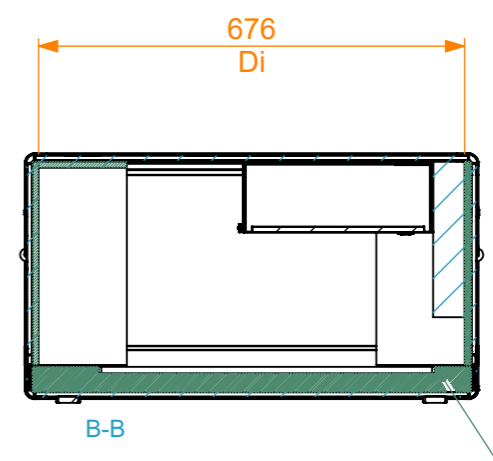
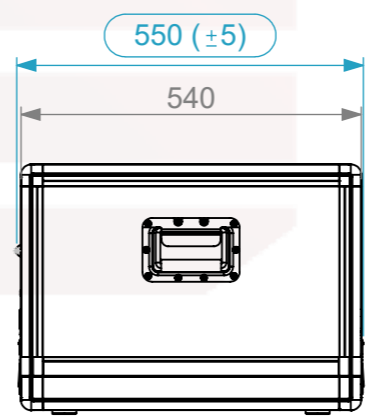
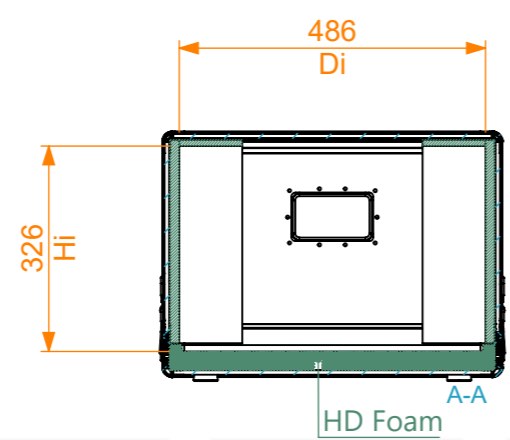


Internal Dimensions		
Width	Depth	Height
676	486	326
FC Weight	Approx. 10.4 Kg	
Wall Thickness	7mm	



General External Dimensions		Usable Inner Dimensions	
W	Width	Wi	Inside Width
D	Depth	Di	Inside Depth
H	Height	Hi	Inside Height

Name	Date
CarlaSilva	11/08/2025
Reference	CSA2.0735540
Scale	1:12
units in mm	general tolerance 0.8mm
DO NOT SCALE	
Aeris case forrada Allen & Heath DLive C1500 Series	



This drawing must not be copied or disclosed without consent of the owner



A3