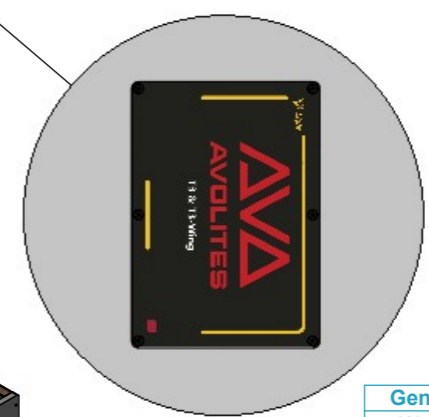
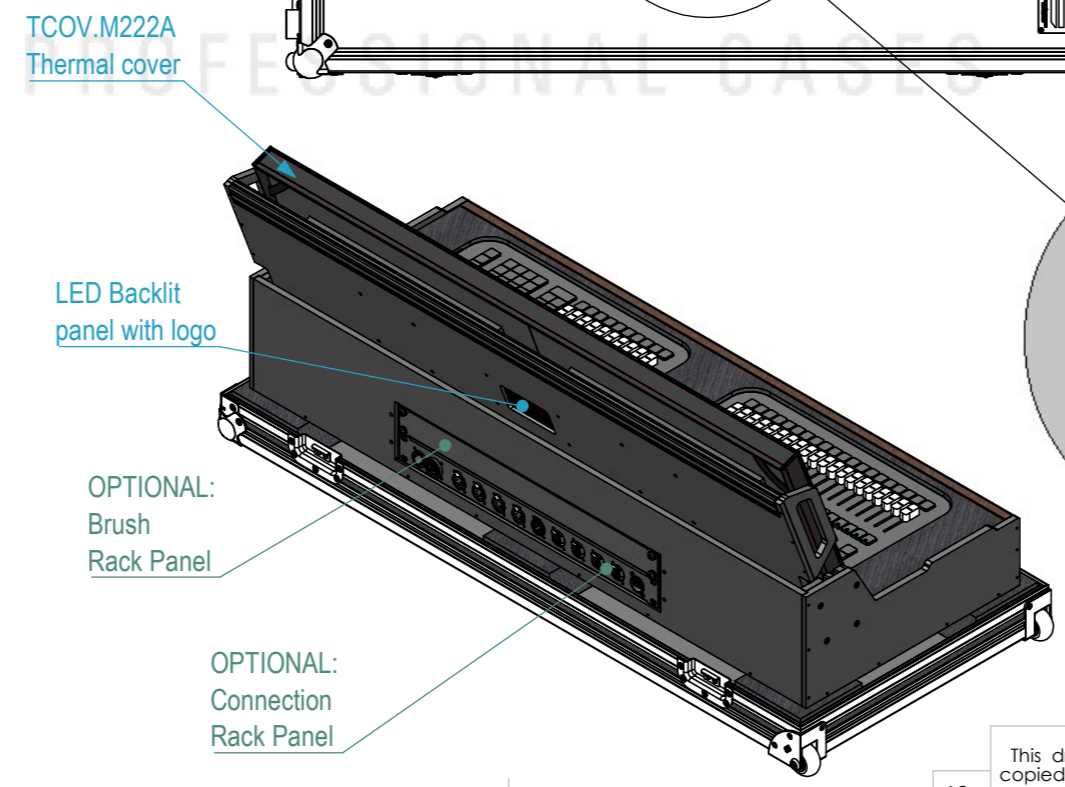
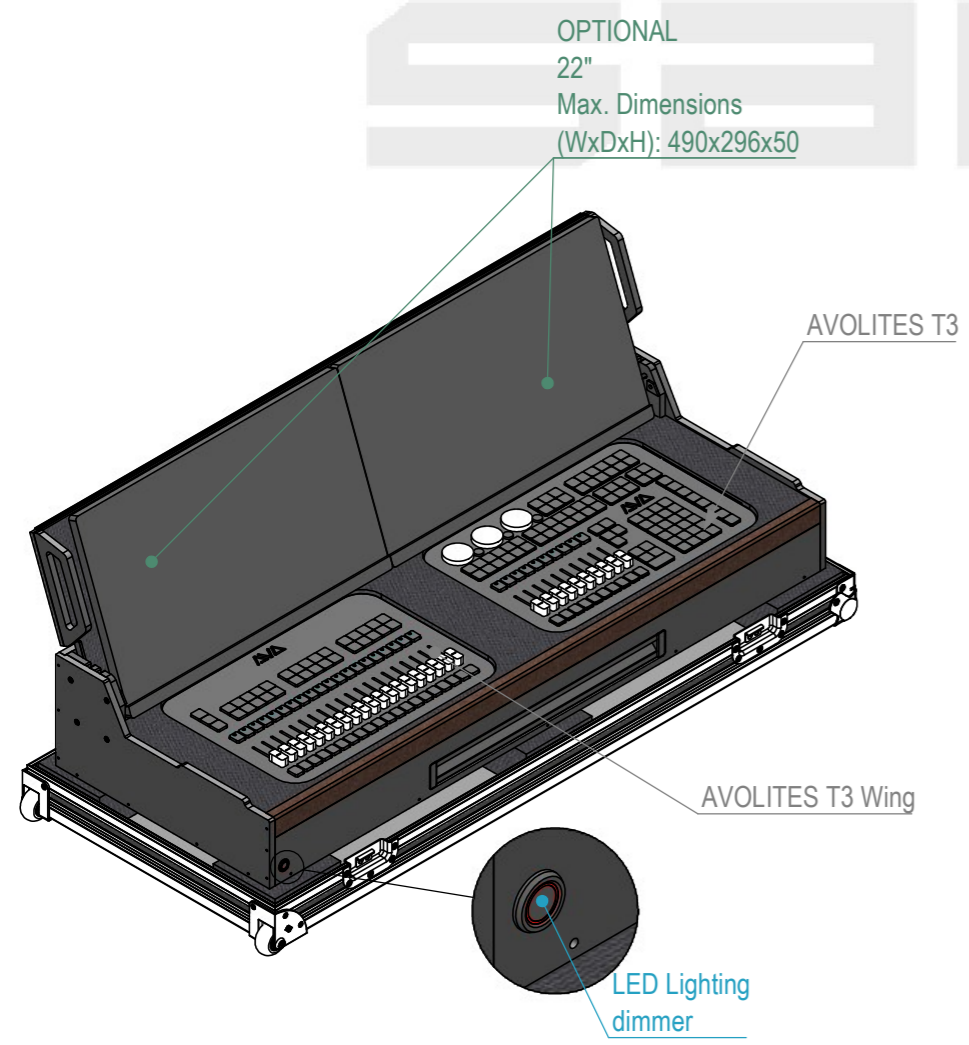
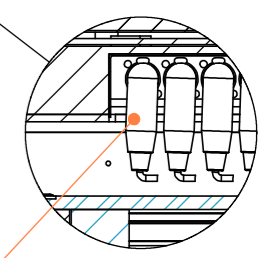
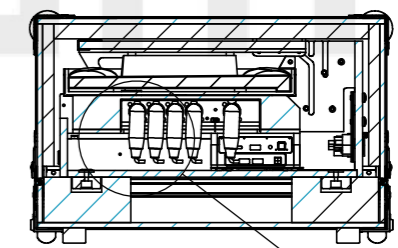
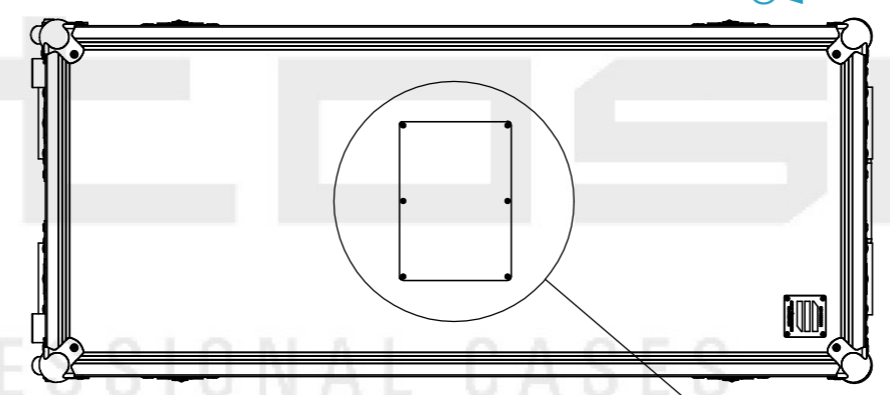
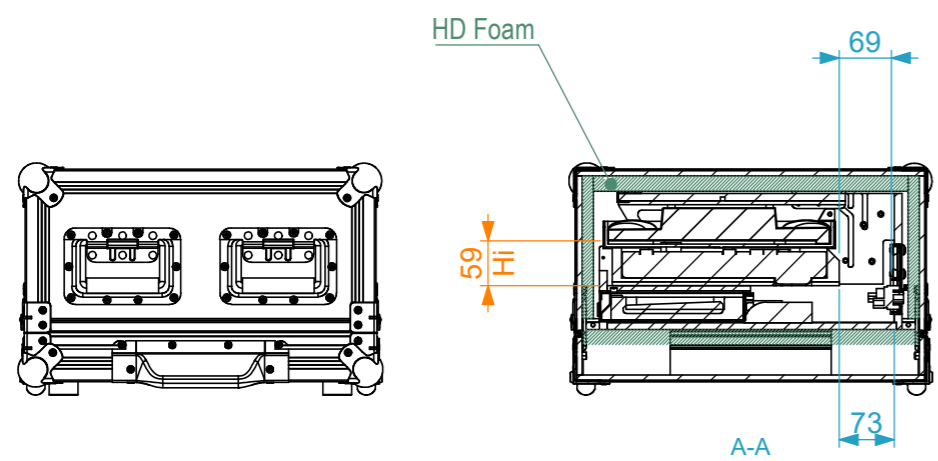
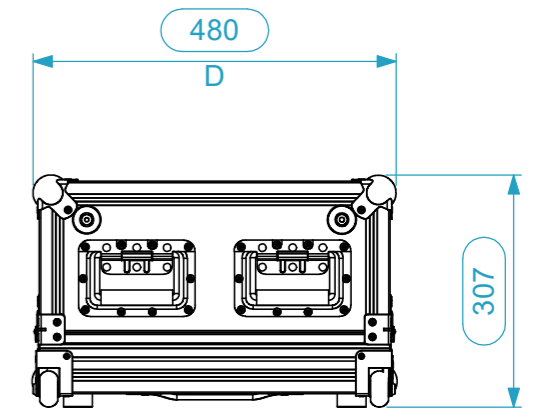
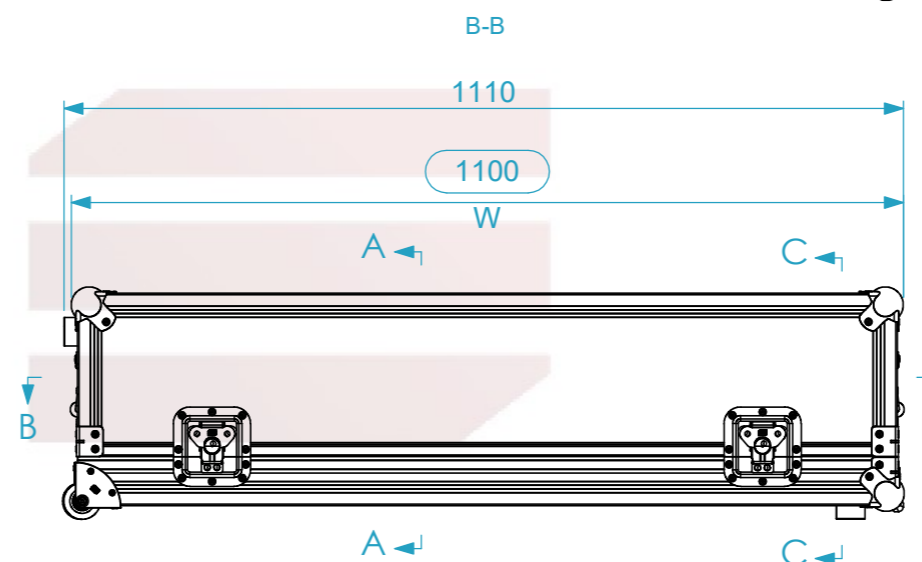
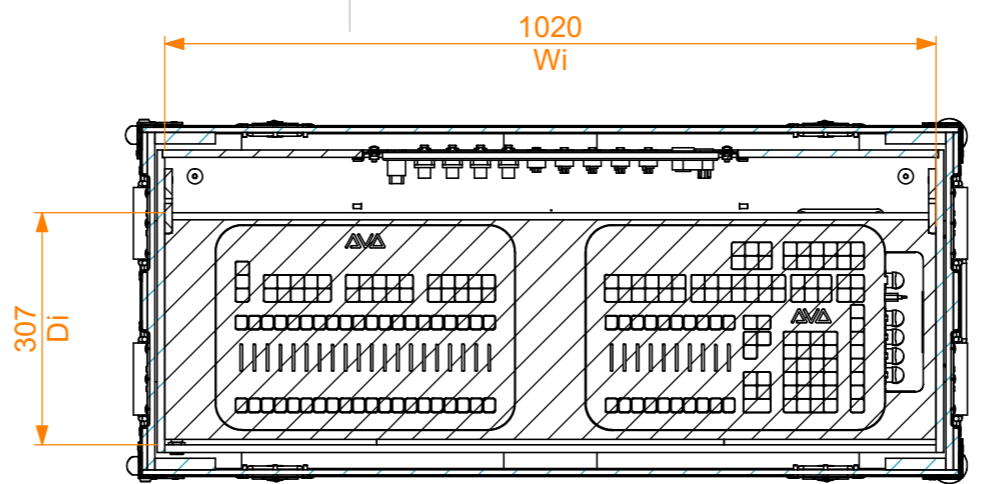


Equipment		
Avolites T3 + T3 Wing		
Width	Depth	Height
402	270	55
Weight	Approx. 3 + 2.6 Kg	
Internal Dimensions		
Width	Depth	Height
1000	310	63
Weight	Approx. 37 Kg	
Wall Thickness	7 mm	



General External Dimensions		Usable Inner Dimensions	
W	Width	Wi	Inside Width
D	Depth	Di	Inside Depth
H	Height	Hi	Inside Height

Name	Date
Drawn by: CarlaSilva	17/05/2024
Reference	CS6T.AVOT3.04
Scale	1:10
units in mm	general tolerance 0.8mm
DO NOT SCALE	
Flight case PRO-6 Avolites T3 & T3 Wing	



This drawing must not be copied or disclosed without consent of the owner



A3