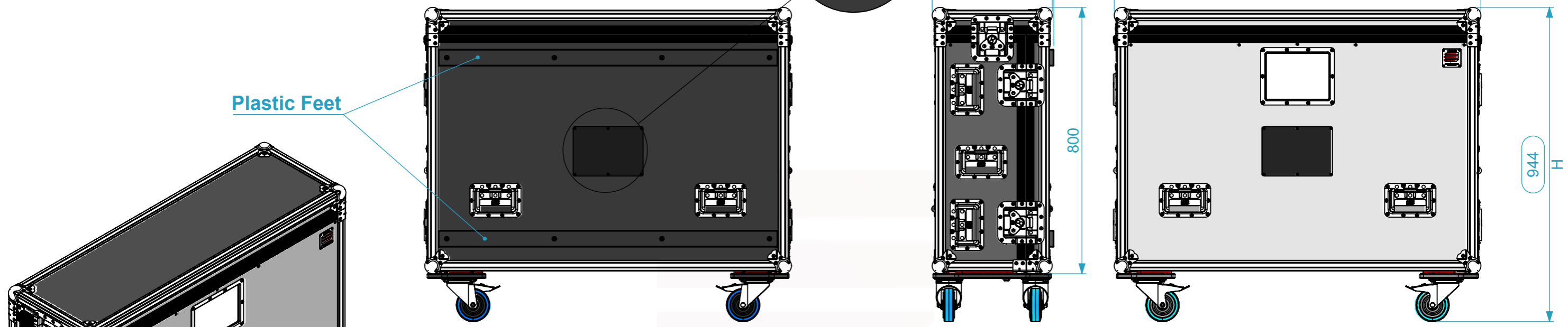
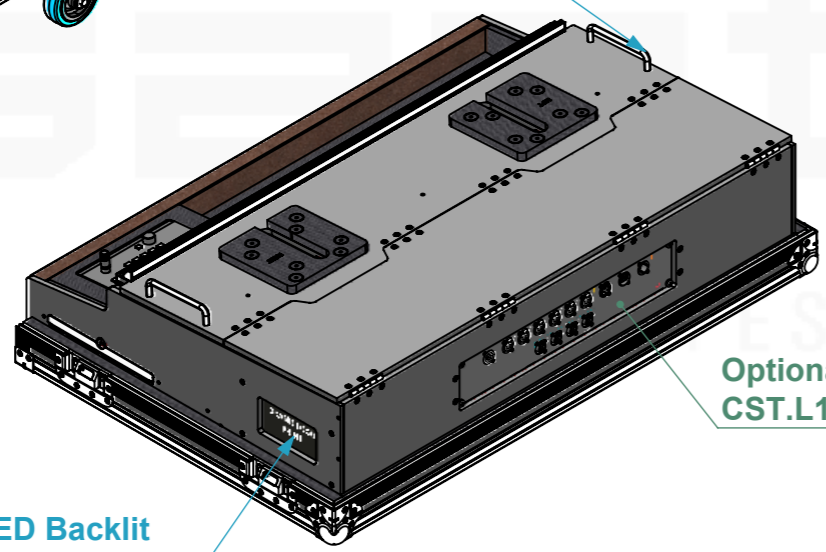
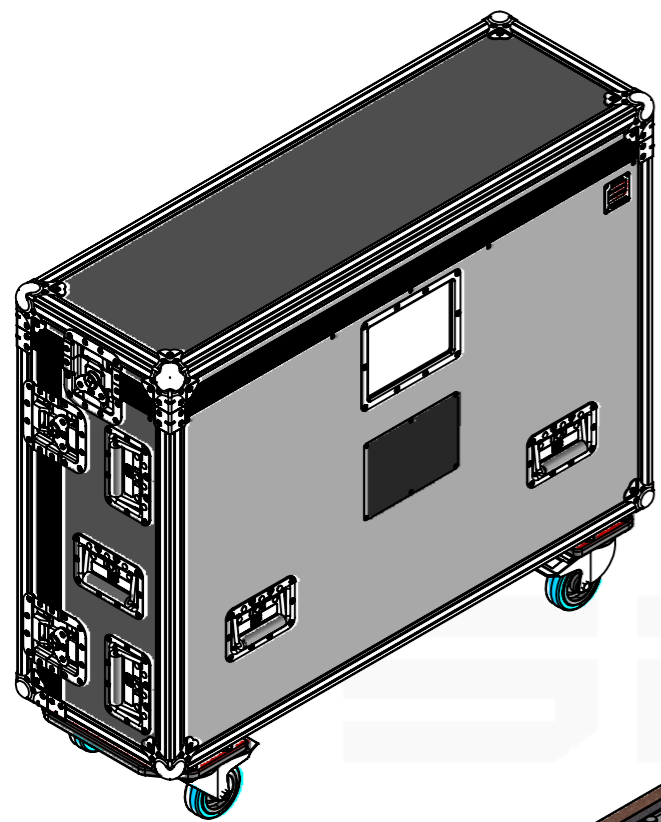


Equipment	Panasonic AW RP60	
Width	Depth	Height
210	177	92
FC Weight	Approx. 63 Kg	
Wall Thickness	10mm	



Plastic Feet

Handles (to lift the system)

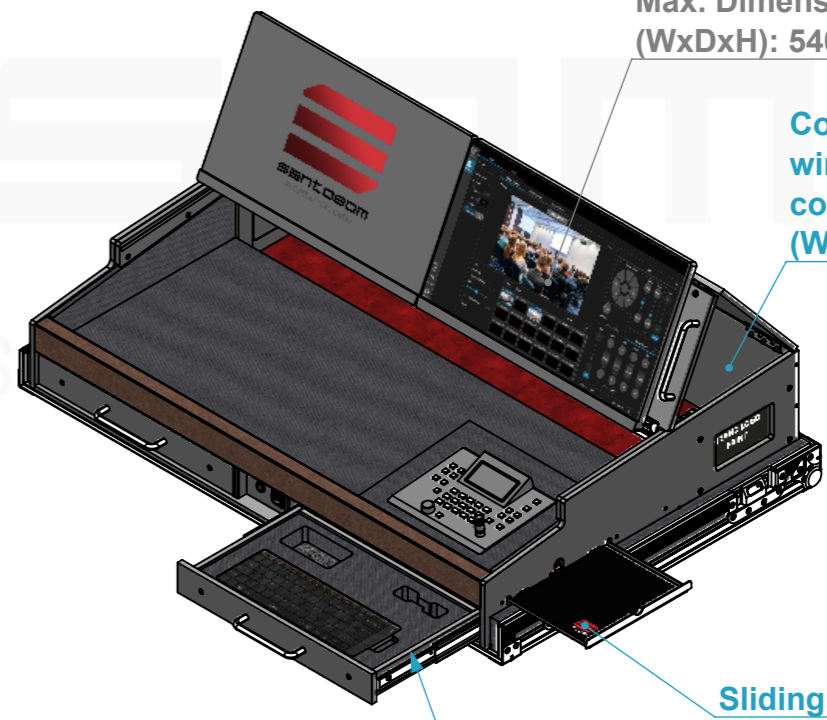


Optional 2U Connection panel: CST.L14.EU \ UK \ US

LED Backlit panel (decorative)

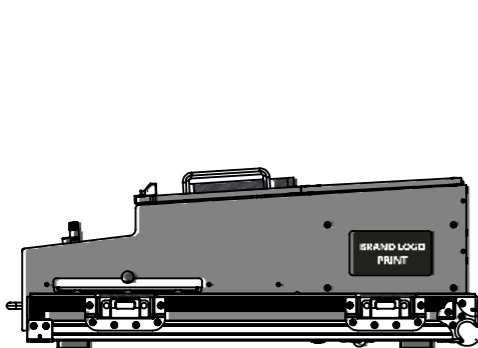
22" / 24" Touch Monitor
Max. Dimensions (WxDxH): 540x55x320

Compartment for CPU, wiring and electrical connections. Dimensions (WxDxH): 550x250x170

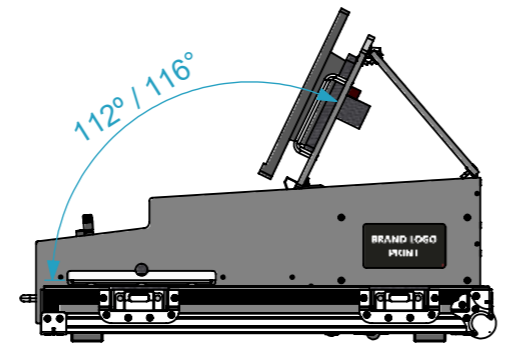


Sliding mouse support

Drawer for keyboard and mouse



CLOSED



OPEN

112° / 116°

General External Dimensions	
W	Width
D	Depth
H	Height

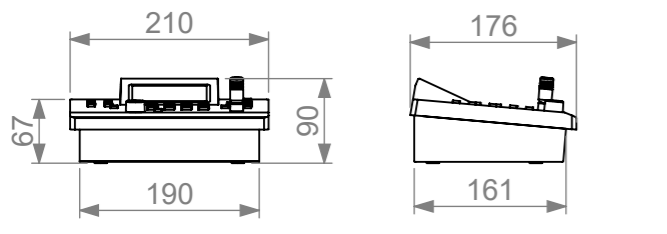
Name	Date
CarlaSilva	06/12/2024
Reference	CS5.PANAWRP60.03
Scale	1:12
units in mm	general tolerance 0.8mm
DO NOT SCALE	
Flight case PRO-5, Panasonic AW RP60	



This drawing must not be copied or disclosed without consent of the owner

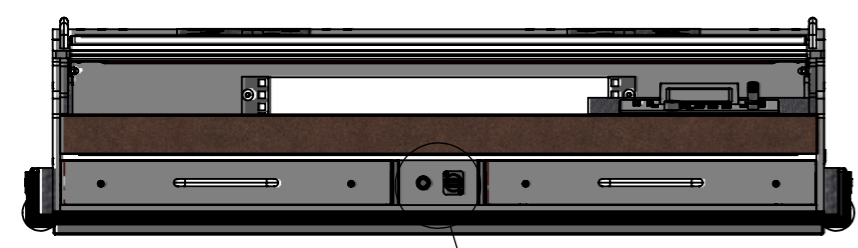
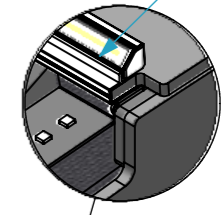


A3

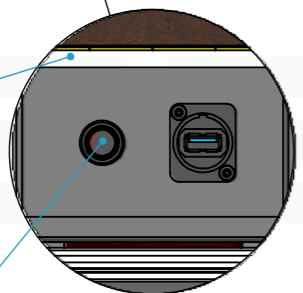


Panasonic AW RP60

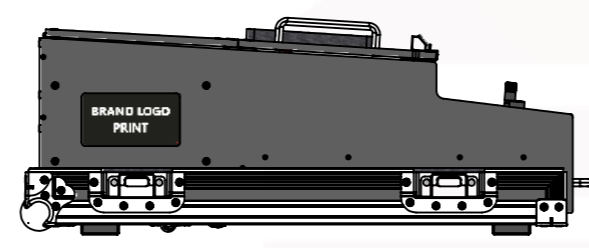
LED Lighting Dimmer Bar



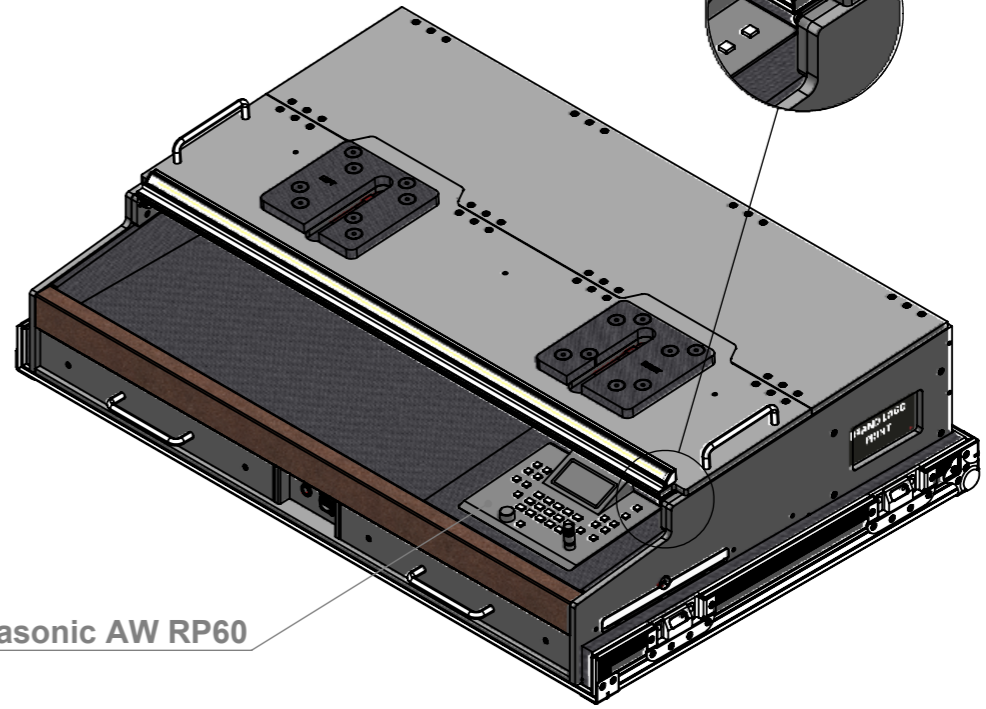
Aluminum profile with LED Lighting



LED Lighting Dimmer and USB 3.0 Connector

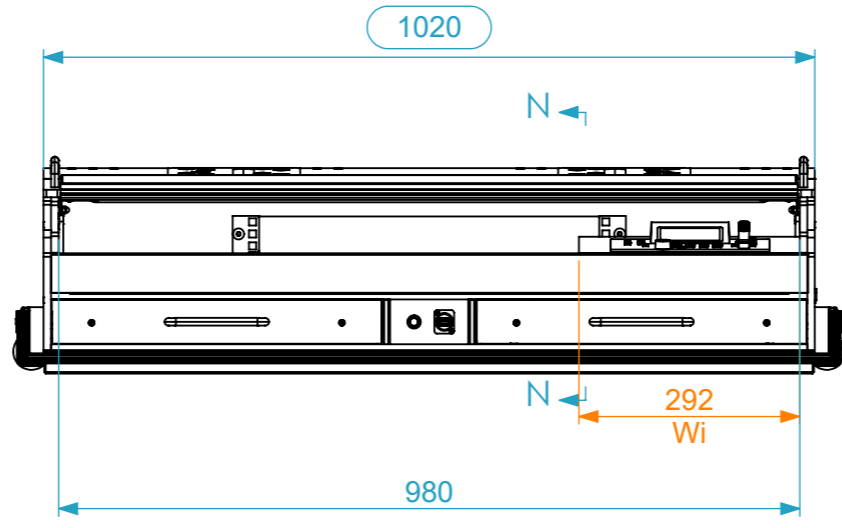
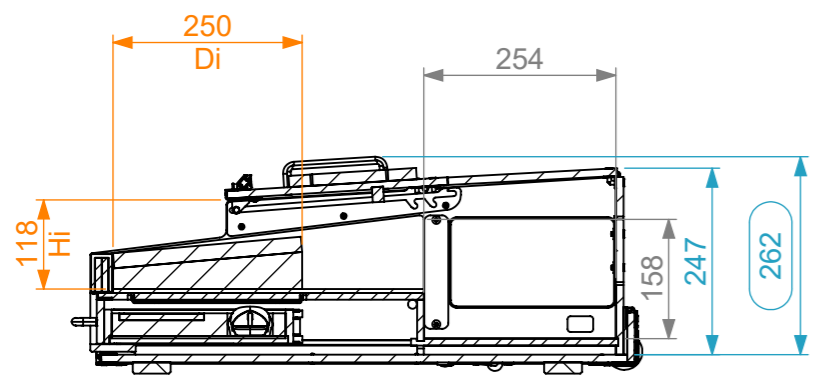
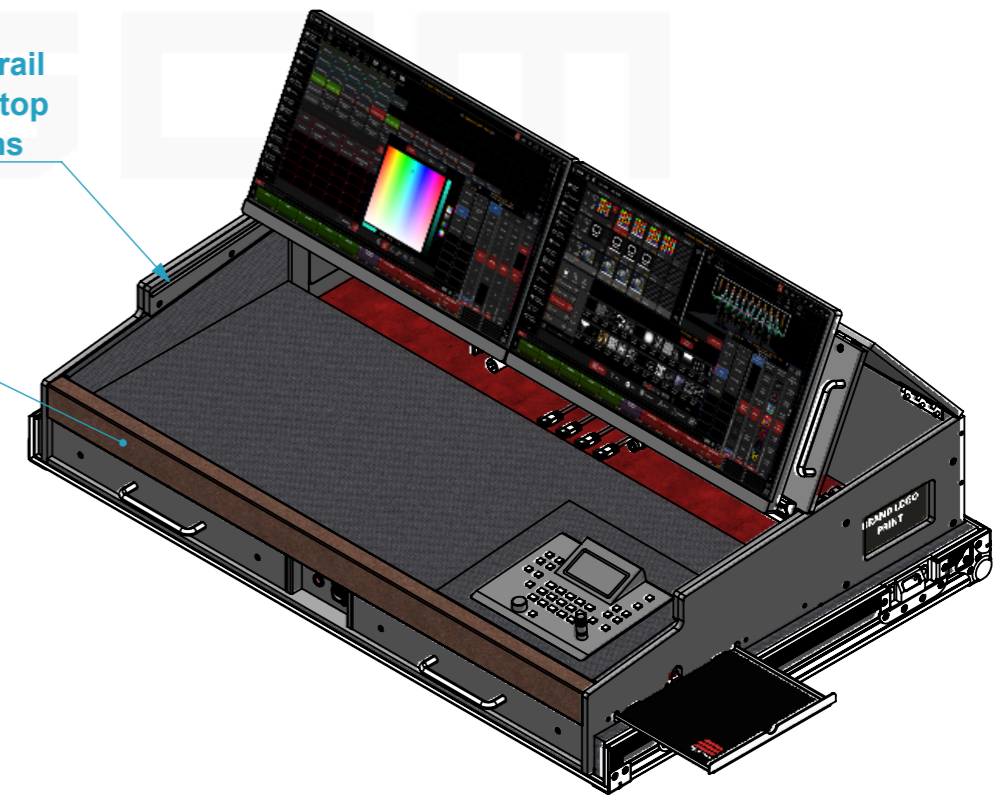


Panasonic AW RP60



Sliding rail with 2 stop positions

Black leather cushioning



Name	Date
CarlaSilva	06/12/2024
Reference	CS5.PANAWRP60.03
Scale	1:10
units in mm	general tolerance 0.8mm
DO NOT SCALE	
Flight case PRO-5, Panasonic AW RP60	



This drawing must not be copied or disclosed without consent of the owner



A3