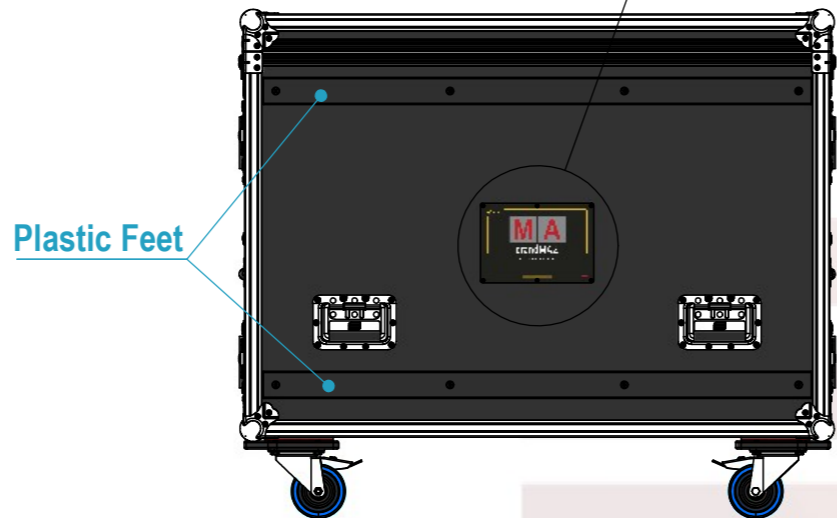
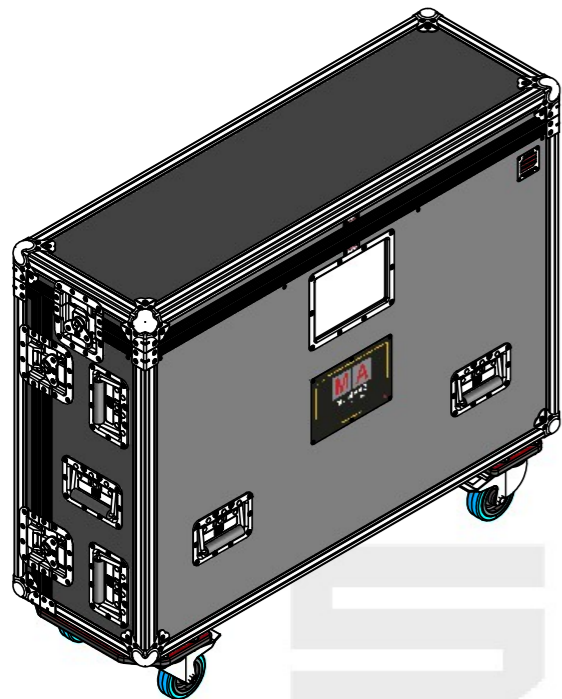
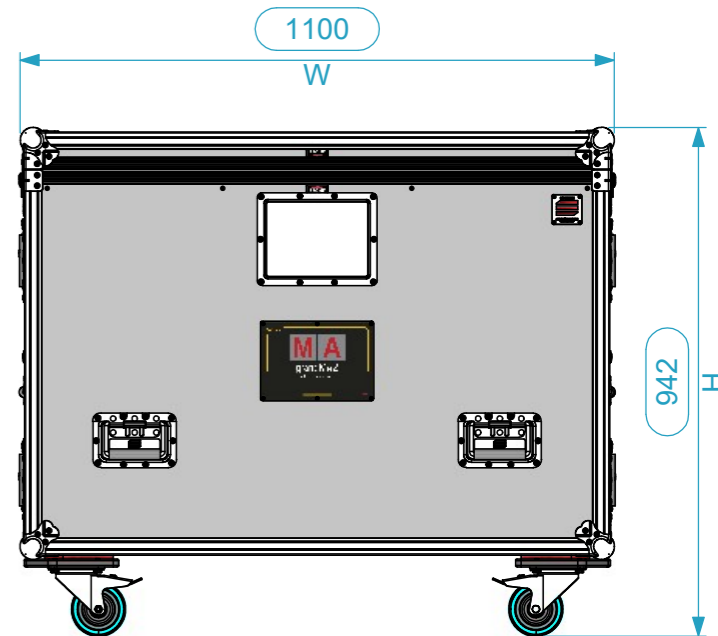
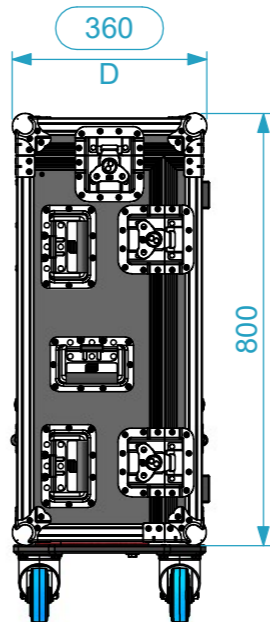


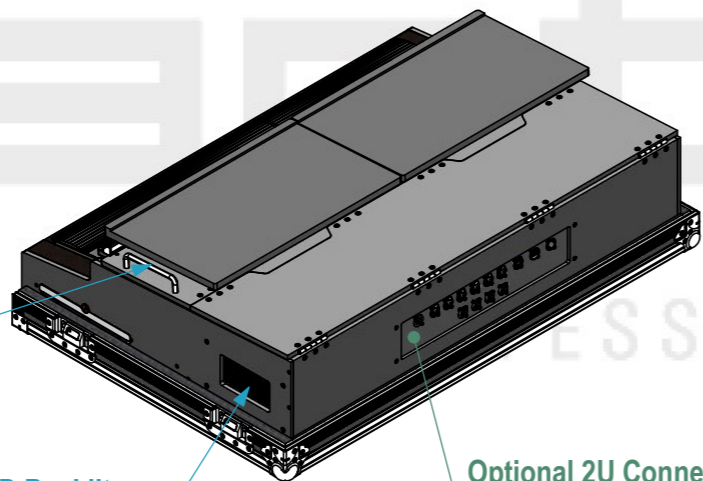
Equipment	grandMA2 onPC Command + Fader Wing	
Width	Depth	Height
536 + 365	395	70
Weight	Approx. 64 Kg	
Wall Thickness	10mm	



Plastic Feet



Handles (to lift the system)



LED Backlit panel (decorative)

Optional 2U Connection panel: CST.L14.EU \ UK \ US

Drawer for Cables and accessories

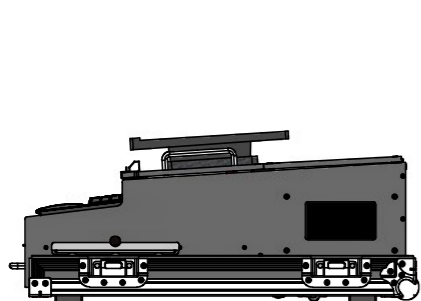


21,5" Touch Monitors
Max. Dimensions (WxDxH): 490x50x300

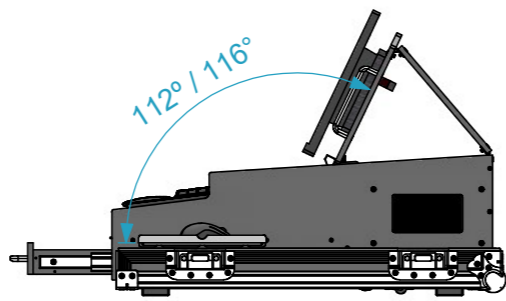
Compartment for CPU, wiring and electrical connections. Dimensions (WxDxH): 970x250x170

Sliding mouse support

Drawer for keyboard and mouse



CLOSED



OPEN

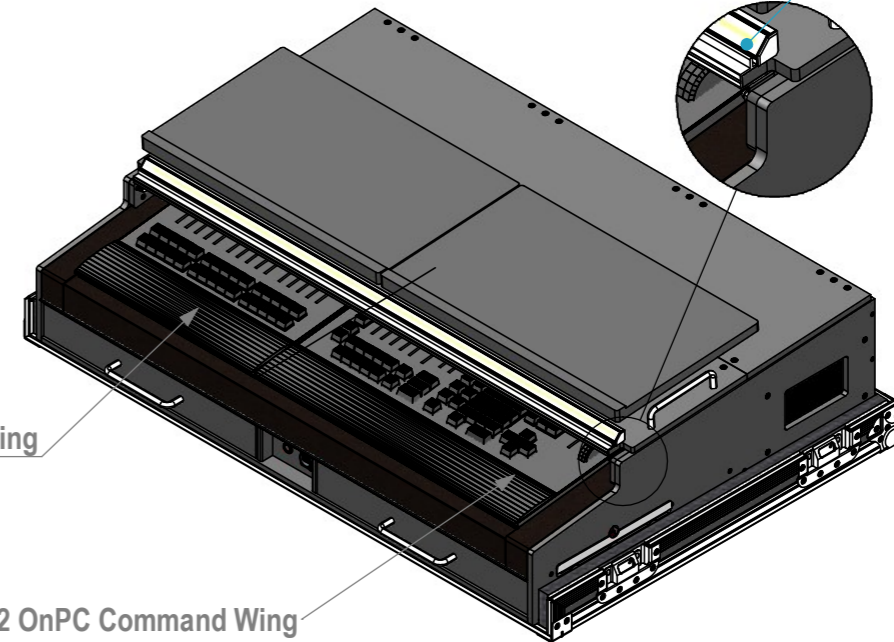
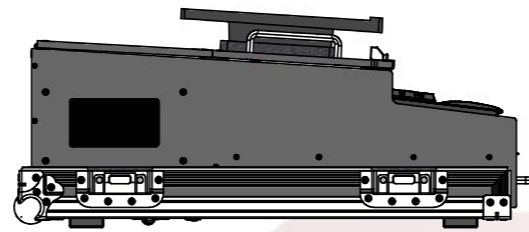
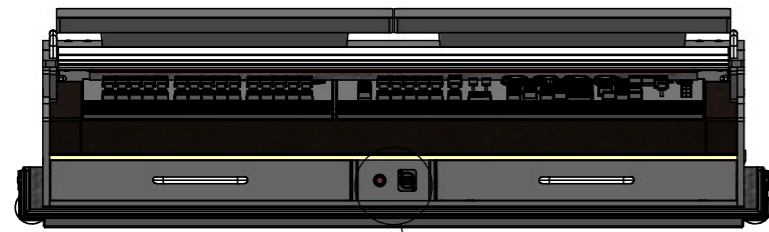
General External Dimensions	
W	Width
D	Depth
H	Height

Name	Date
Drawn by paula.almeida	16/01/2024
Reference	CS5.MALMA2.04
Scale	1:14
units in mm	general tolerance 0.8mm
DO NOT SCALE	
1st Angle projection	
Flight case PRO-S, MA2 ONPC CMD/ WING XT + FaderWing	

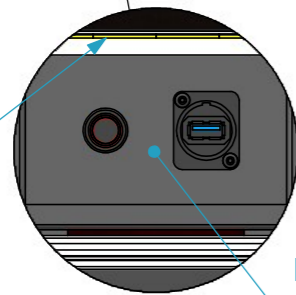


This drawing must not be copied or disclosed without consent of the owner

A3



Aluminum profile with LED Lighting



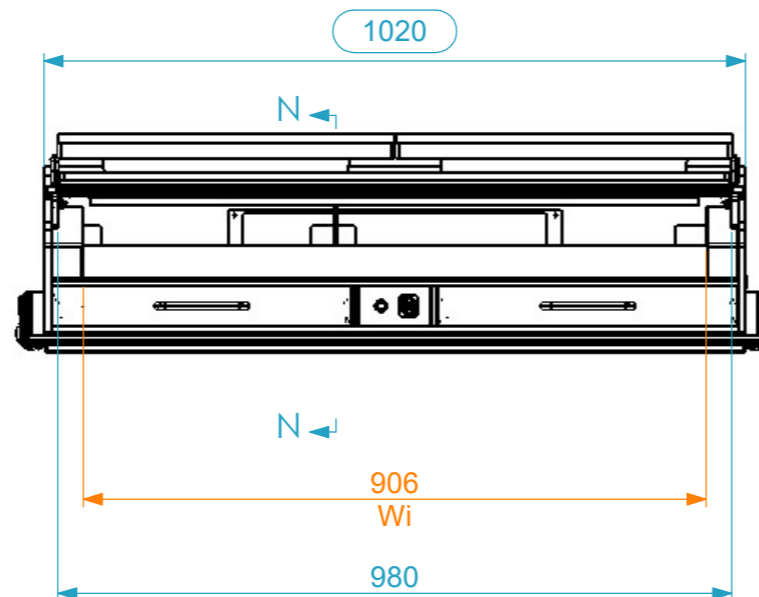
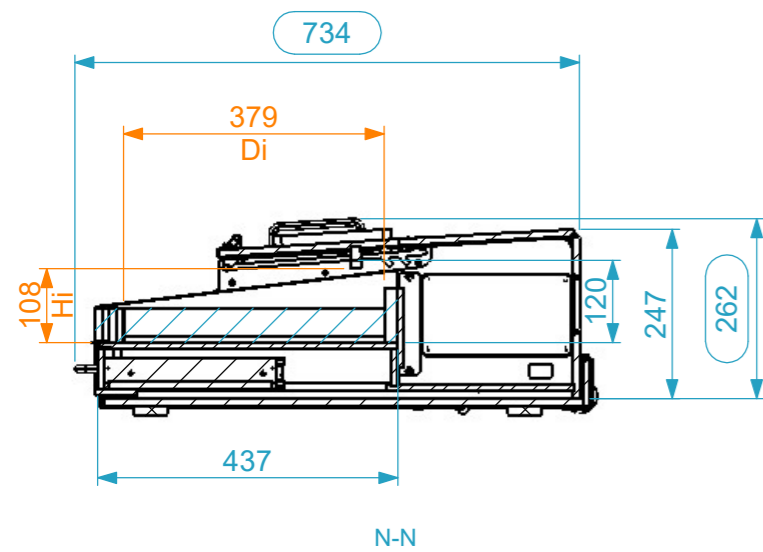
LED Lighting Dimmer and USB 3.0 Connector

MA2 OnPC Fader Wing

MA2 OnPC Command Wing

Sliding rail with 2 stop positions

Black leather cushioning



santosom
PROFESSIONAL CASES

This drawing must not be copied or disclosed without consent of the owner

Drawn by	paula.almeida	Date	16/01/2024
Reference	CS5.MALMA2.04		
Scale	1:11	units in mm	DO NOT SCALE
		general tolerance	0.8mm
1st Angle projection	Flight case PRO-S, MA2 ONPC CMD/ WING XT + FaderWing		



A3