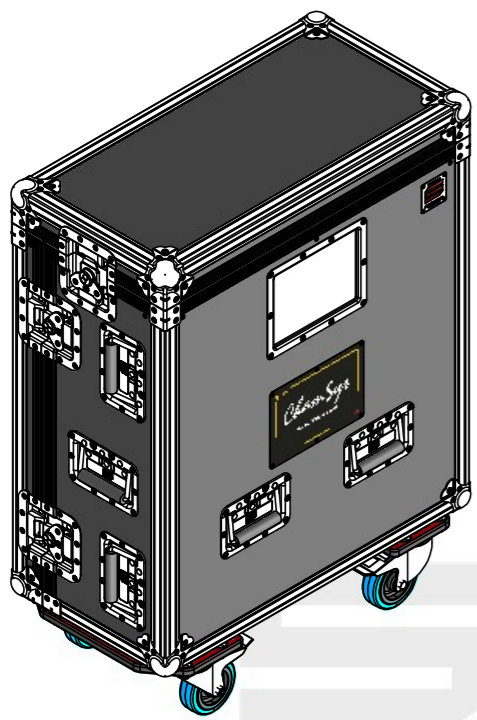
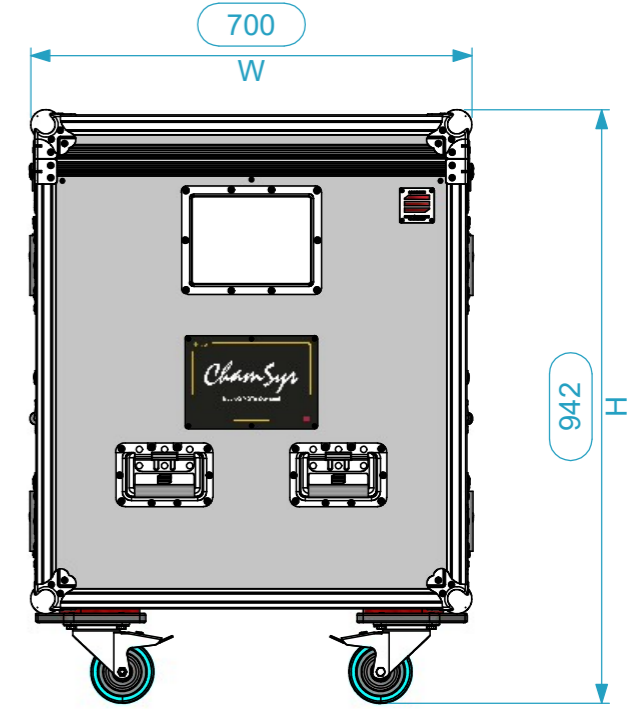
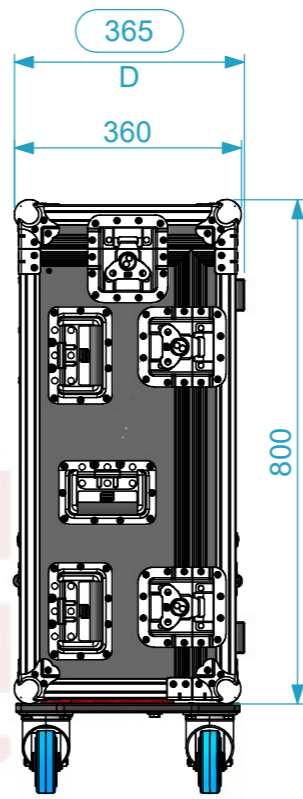
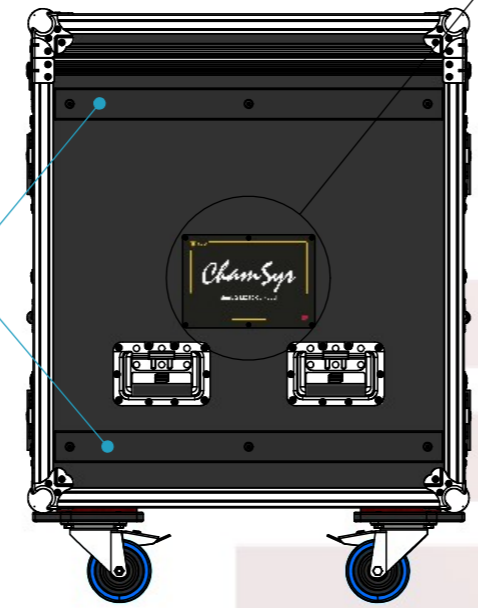


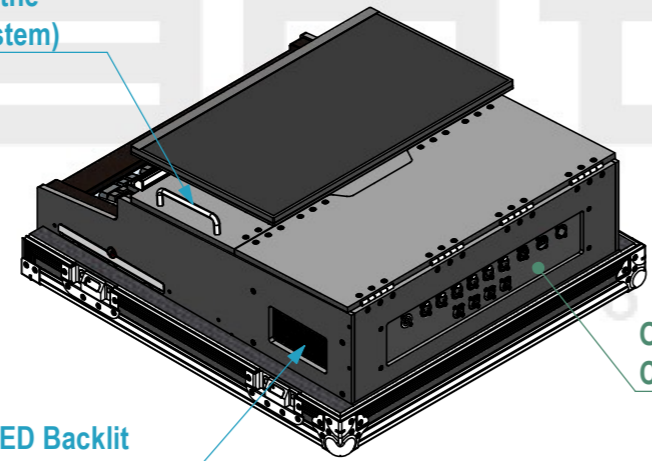
Equipment	Chamsys MagicQ MQ70 Compact	
Width	Depth	Height
525	341	92
Weight	Approx. 7 Kg	
FC Weight	Approx. 48 Kg	
Wall Thickness	10mm	



Plastic Feet



Handles (to lift the system)



Optional 2U Connection panel: CST.L14.EU \ UK \ US

LED Backlit panel (decorative)

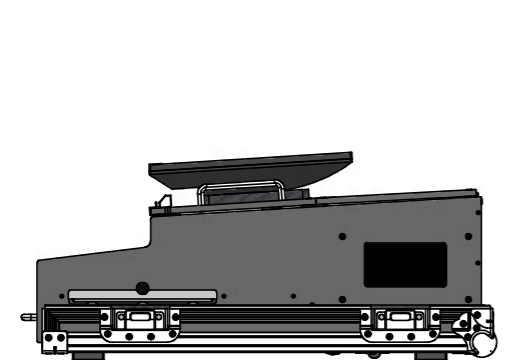
22" / 24" Touch Monitors
Max. Dimensions (WxDxH): 540x55x320

Compartment for CPU, wiring and electrical connections. Dimensions (WxDxH): 550x250x170

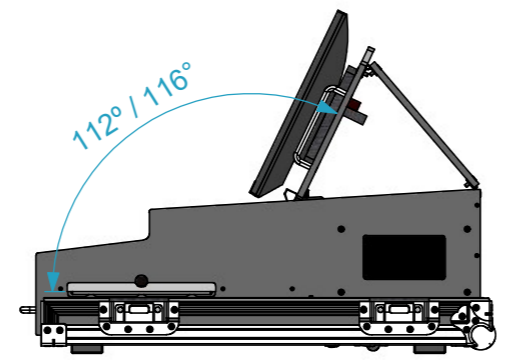


Sliding mouse support

Drawer for keyboard and mouse



CLOSED



OPEN

112° / 116°

General External Dimensions	
W	Width
D	Depth
H	Height

Name	Date	
Drawn by	CarlaSilva	23/04/2024
Reference	CS5.CHAMMQ70C.02	
Scale	units in mm	general tolerance 0.8mm
1:12	DO NOT SCALE	
Flight case PRO-5, AVOLITES TITAN MOBILE		



This drawing must not be copied or disclosed without consent of the owner



A3