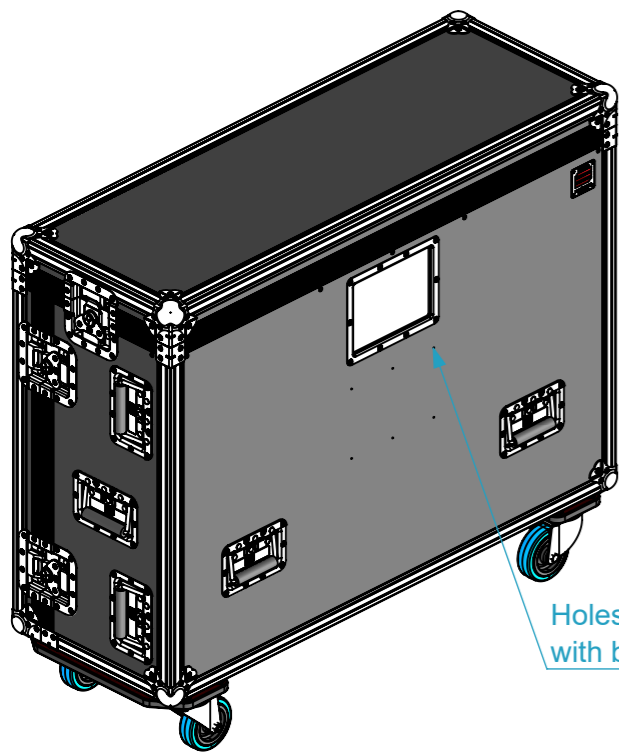
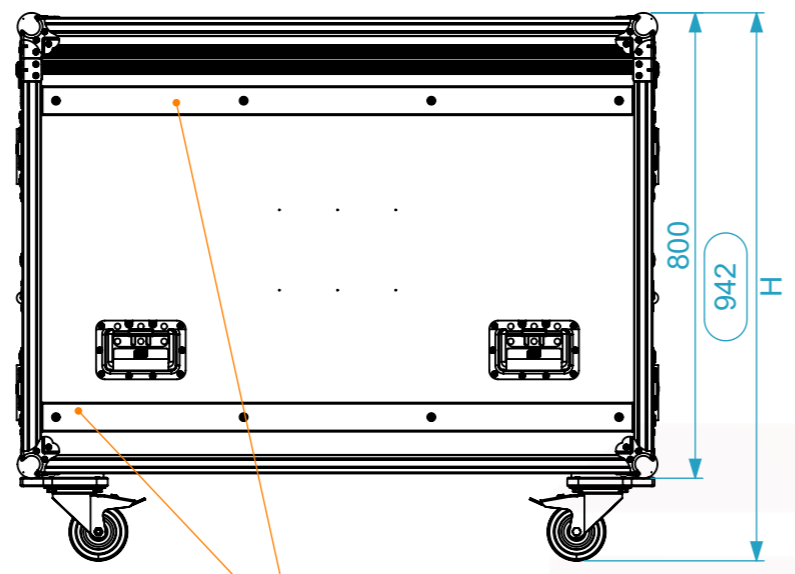


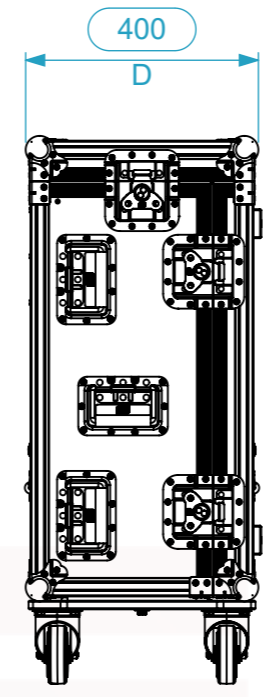
Dimensions		
Length	With	Height
1100	400	800
Peso	Approx. 62 Kg	
Thickness	10mm	



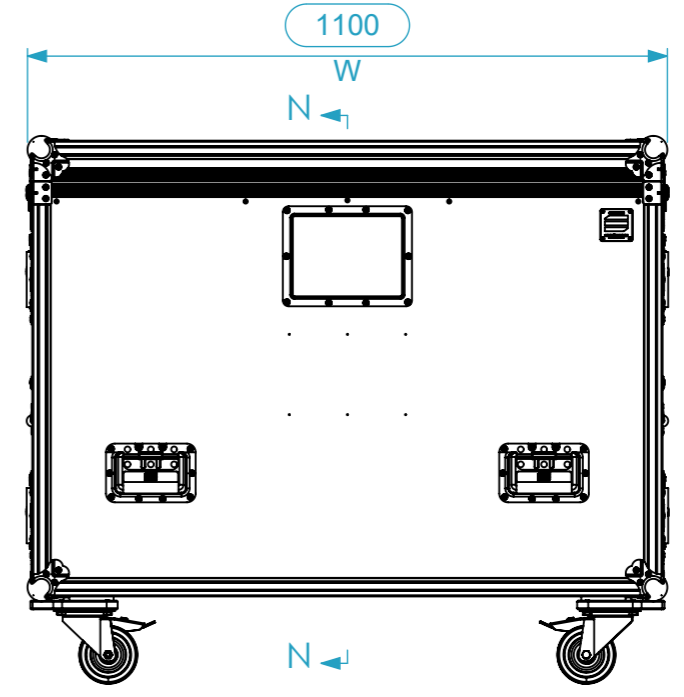
Holes for A5 label with brand and model



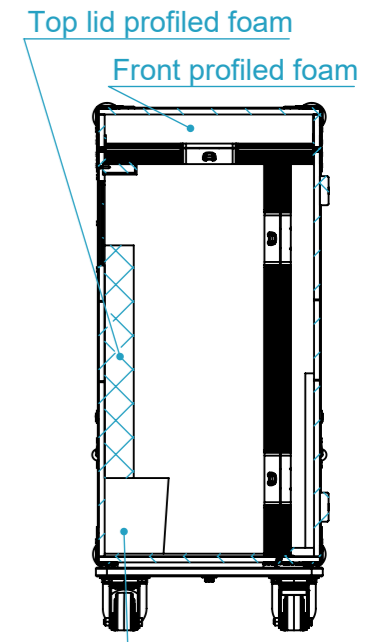
Plastic feet



400
D



1100
W



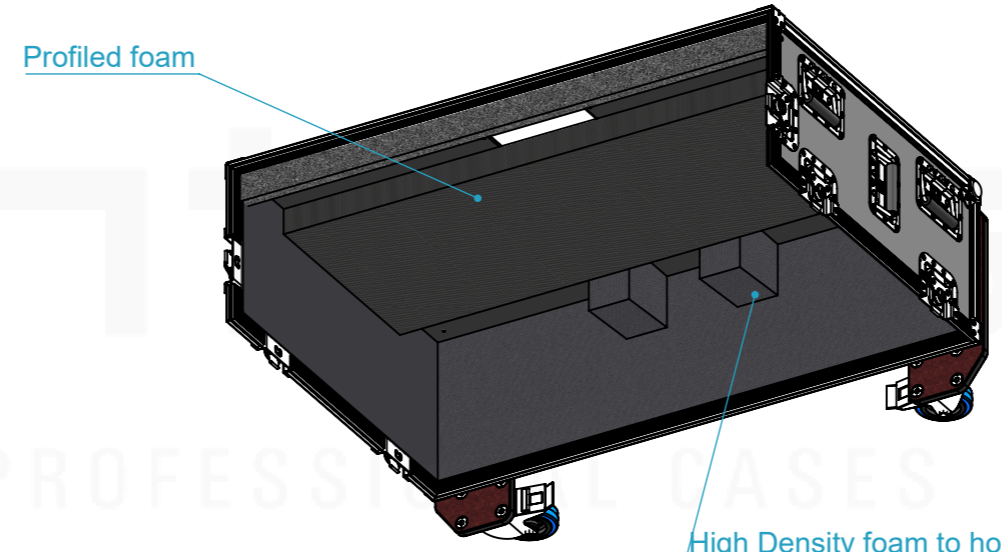
Top lid profiled foam
Front profiled foam

N-N

High density foam



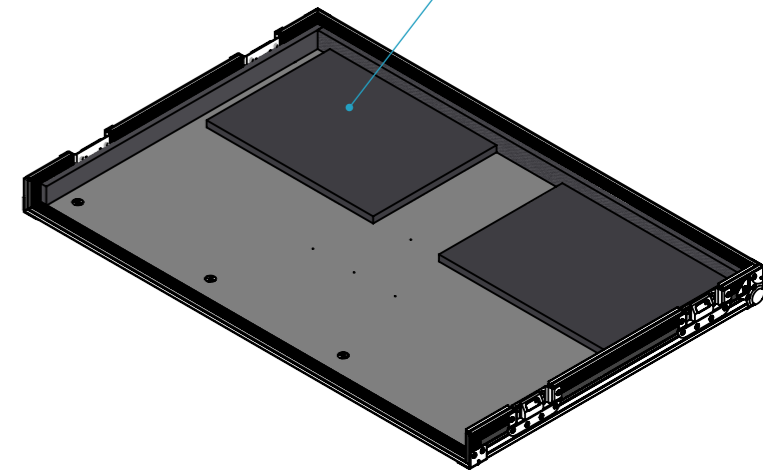
Plastic feet



Profiled foam

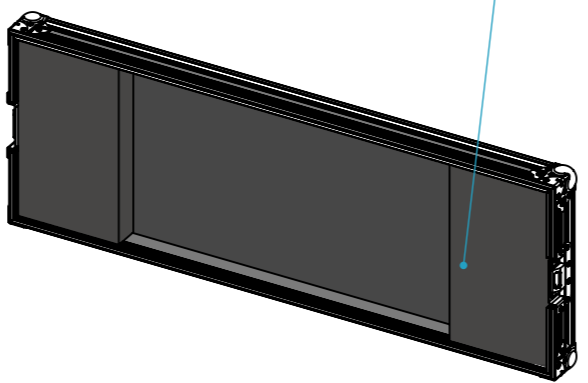
High Density foam to hold console lid

High density foam
Offer best fitment of equipment during transportation.



Case base ready to receive IC5 console

Front cover filled with 2 profiled foam



Front cover finish

Top cover finish

A3

This drawing must not be copied or disclosed without consent of the owner



Scale 1:13

units in mm
DO NOT SCALE
general tolerance 0.8mm

FC PRO-3, Revestida e preparada para móvel IC5.1104080

Drawn by	Name	Date
juan.baptista		27/04/2023

Reference CS5.1104080

