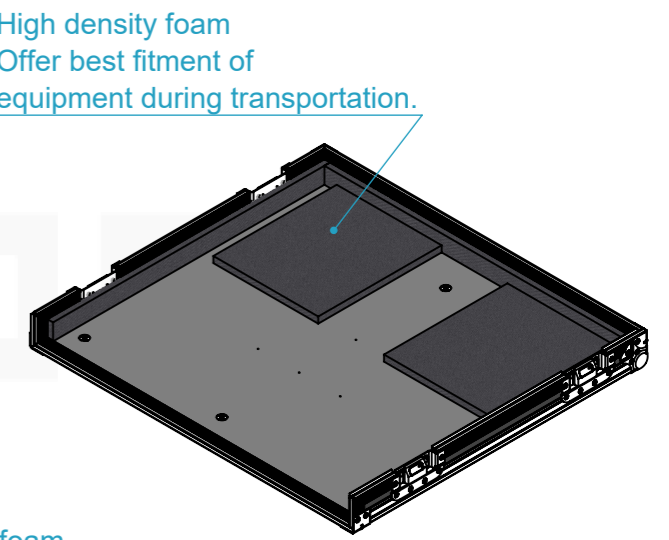
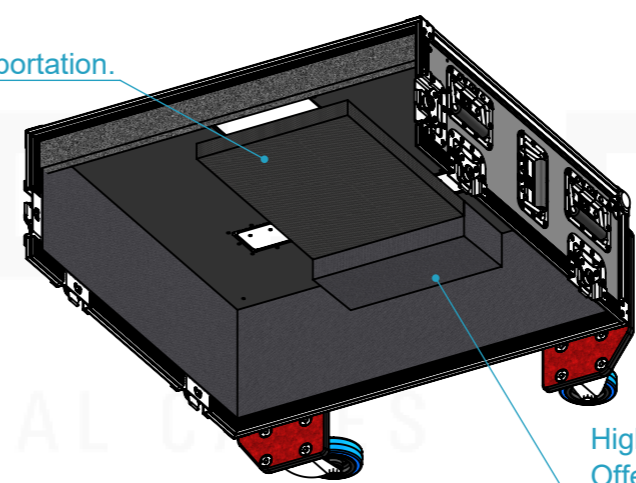
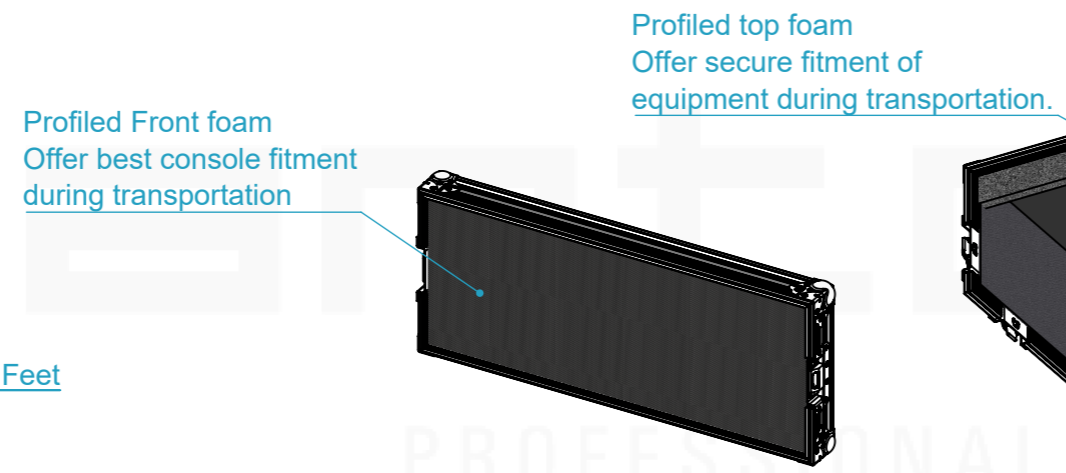
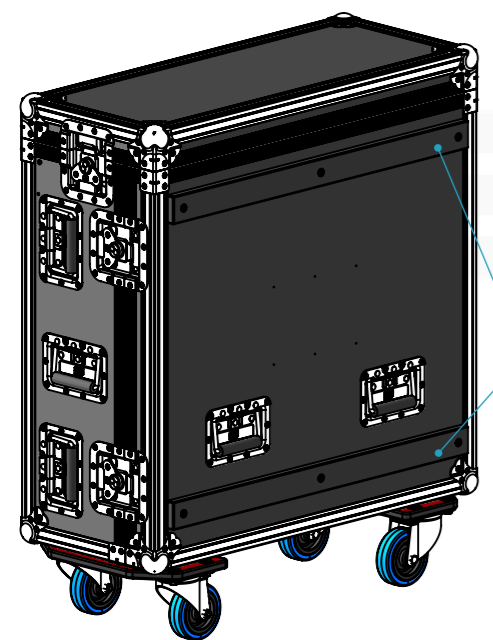
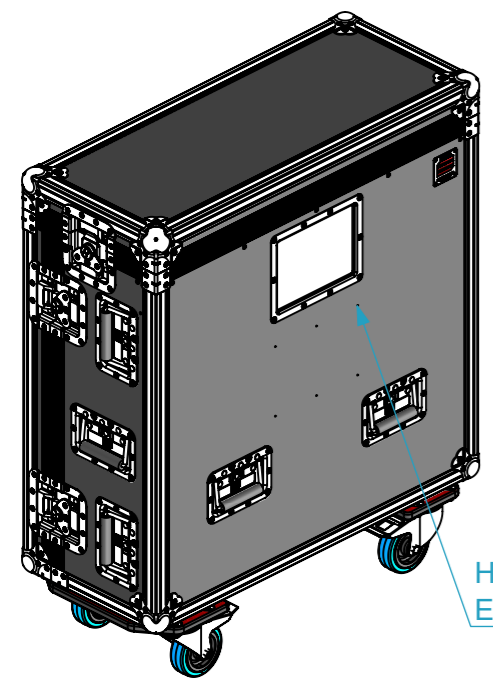
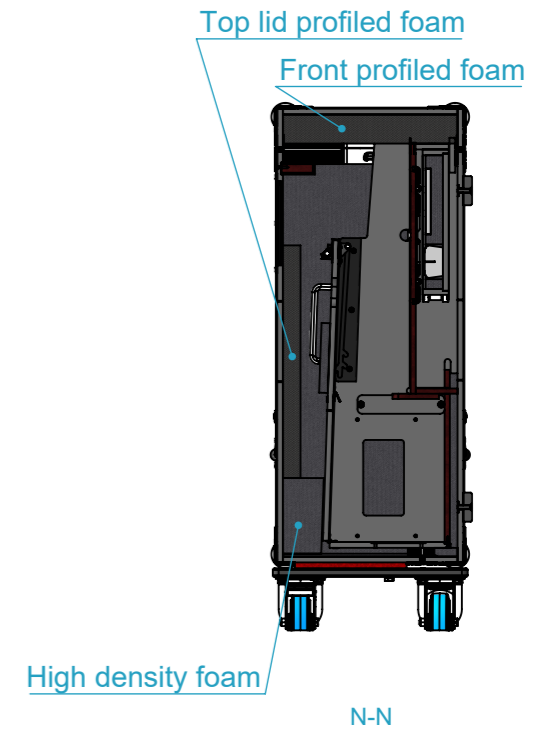
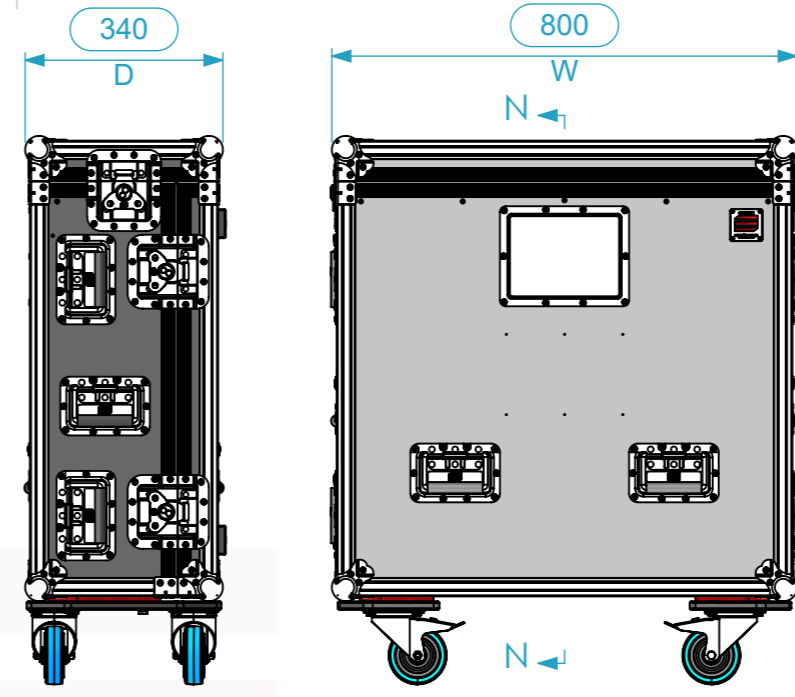
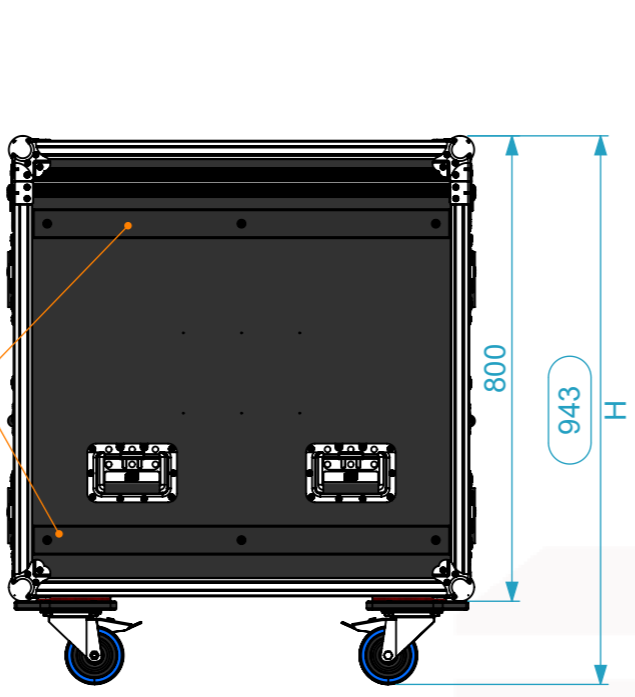


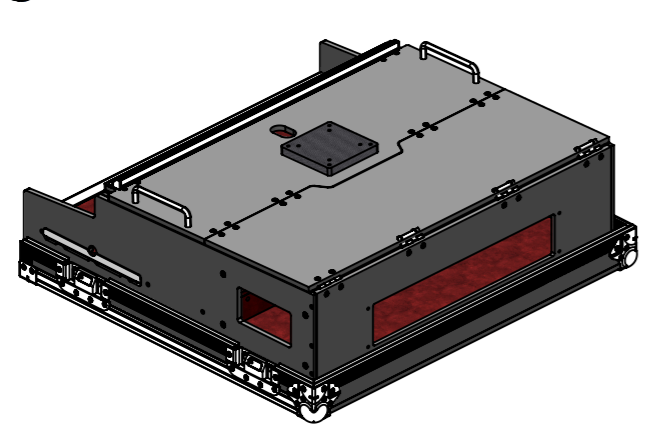
Dimensões		
Comprimento	Largura	Altura
800	340	800
Peso	Approx. 46 Kg	
Espessura	10mm	



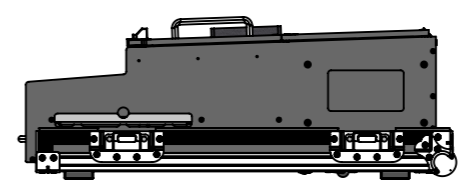
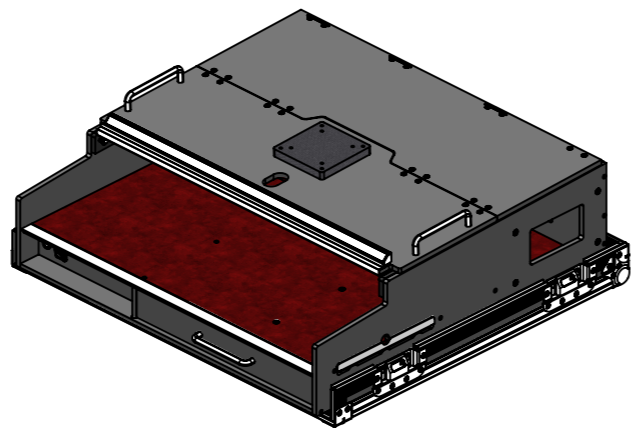
Case Front Lid finished and ready to fit the console

Case Top Lid finished and ready to fit the console

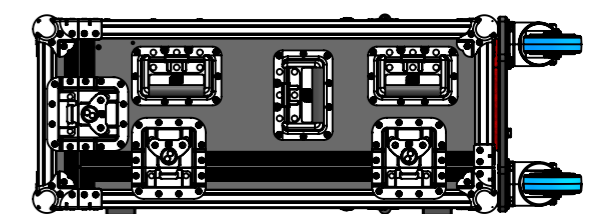
Case base finished and ready to receive the console



Example of console fitted on case base



Open



Closed

Drawn by	juan.baptista	Date	18/04/2023
Reference	CS5.CHAMSC.02		
Scale	1:13	units in mm	general tolerance 0.8mm
1st Angle projection		Case for Chamsys console	



This drawing must not be copied or disclosed without consent of the owner

A3