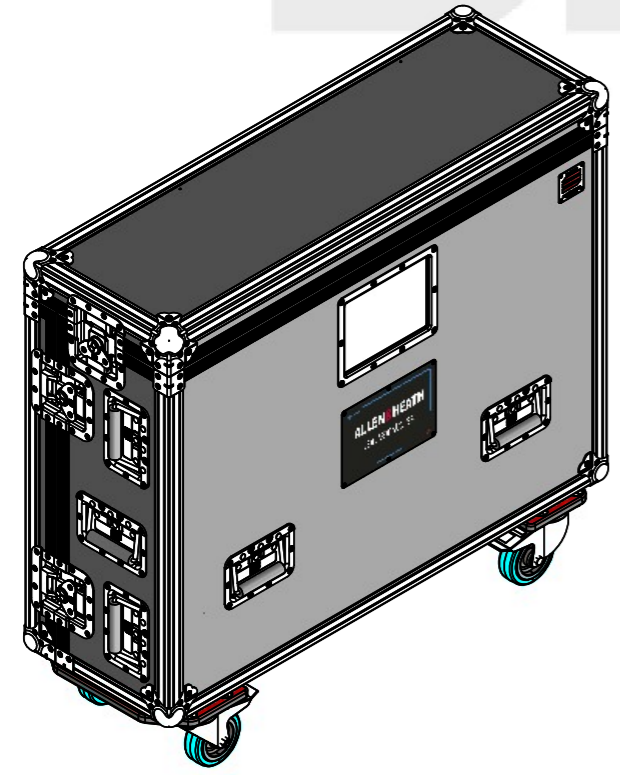
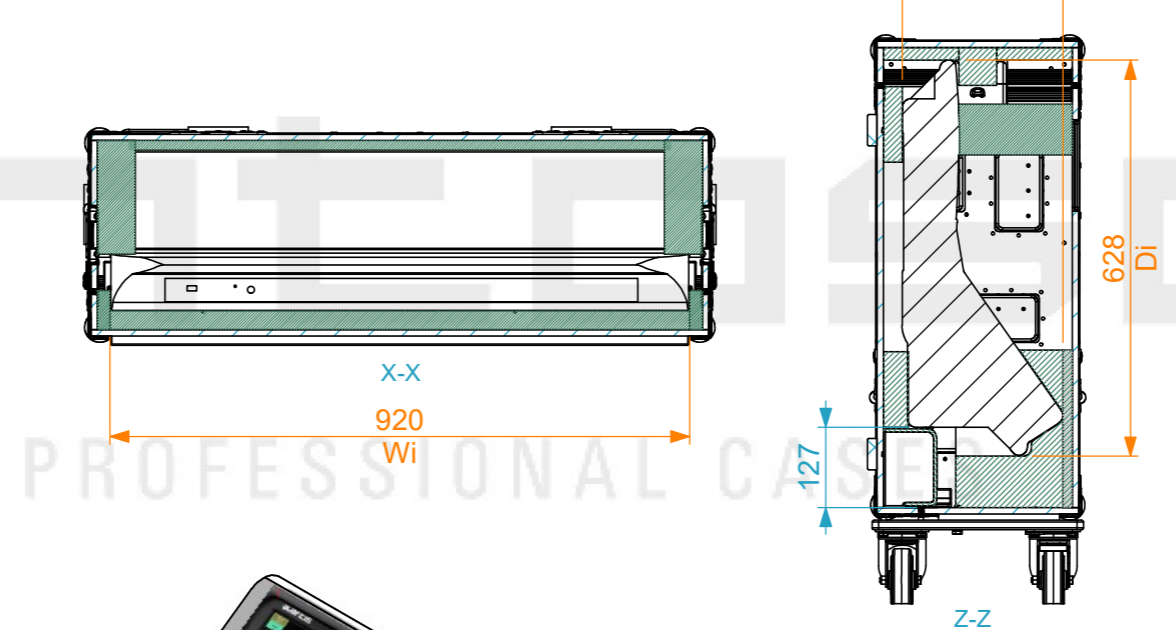
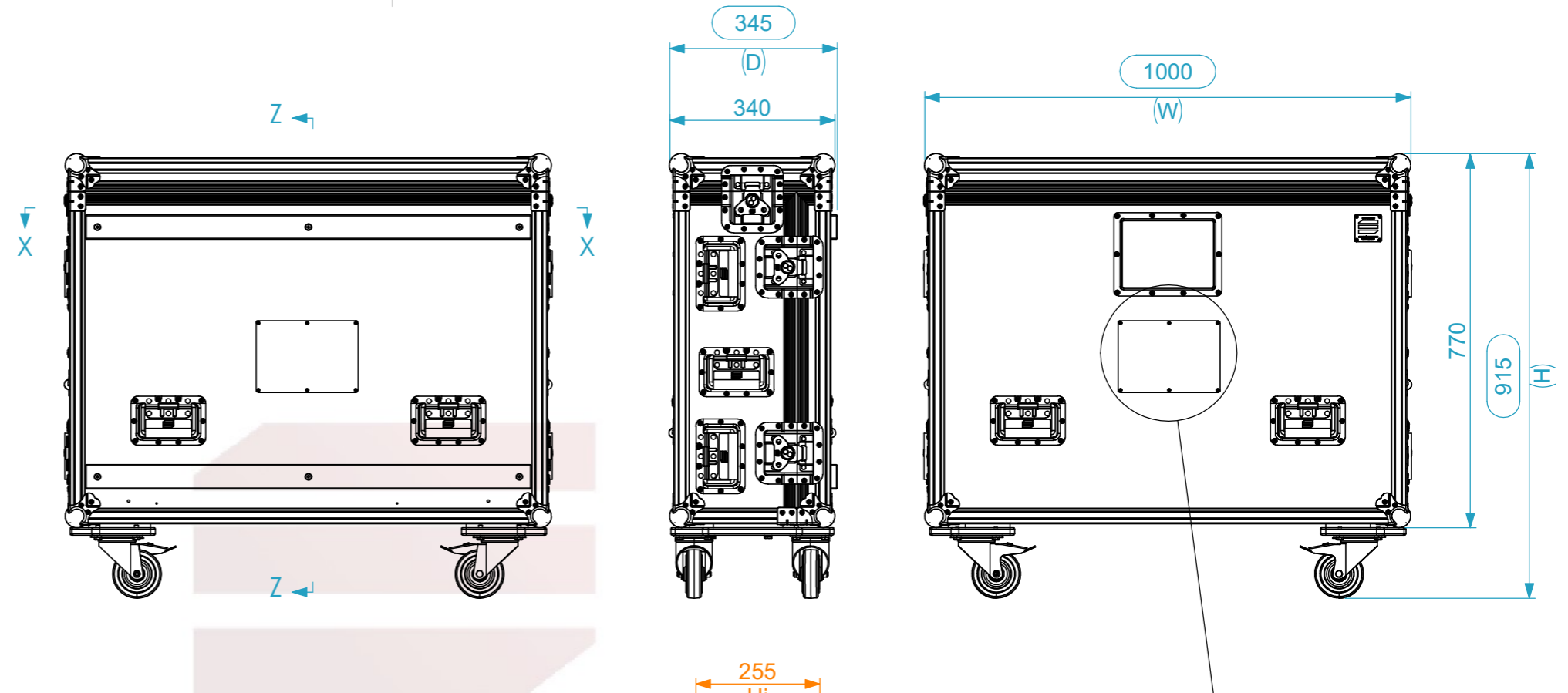
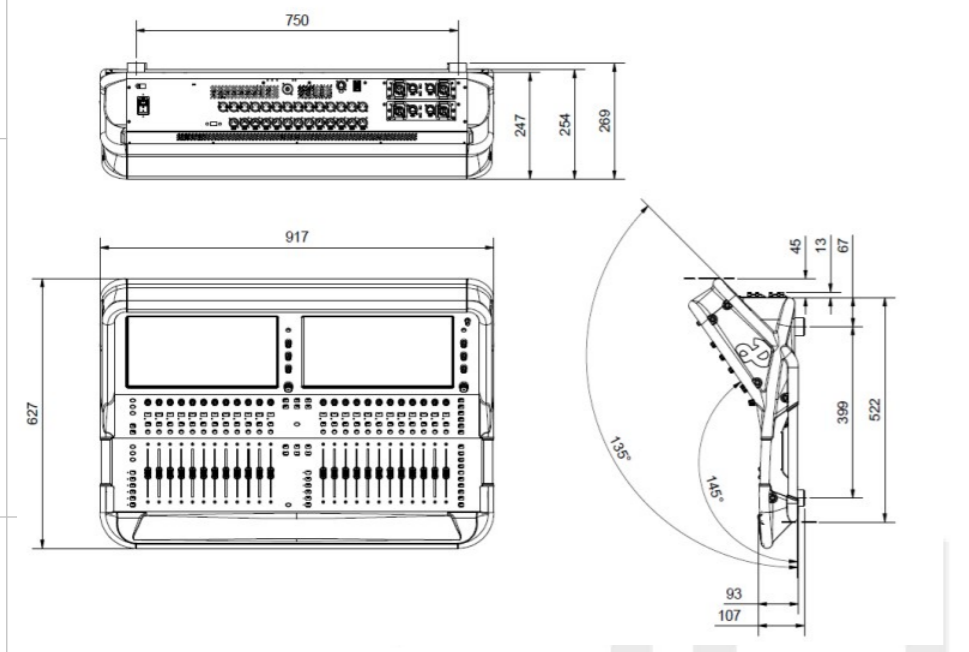


Equipment		Allen & Heath Avantis	
Width	Depth	Height	
917	627	269	
Weight	Approx. 26 Kg		
Internal Dimensions			
Width	Depth	Height	
920	628	255	
FC Weight	Approx. 36 Kg		
Wall Thickness		10mm	



General External Dimensions		Usable Inner Dimensions	
W	Width	Wi	Inside Width
D	Depth	Di	Inside Depth
H	Height	Hi	Inside Height

A3 This drawing must not be copied or disclosed without consent of the owner

Drawn by	Name	Date
jose.couto	jose.couto	27/04/2026
Reference	CSS2.ALHA	
Scale	units in mm	general tolerance
1:12	DO NOT SCALE	0.8mm
Flight case, Allen & Heath Avantis		

