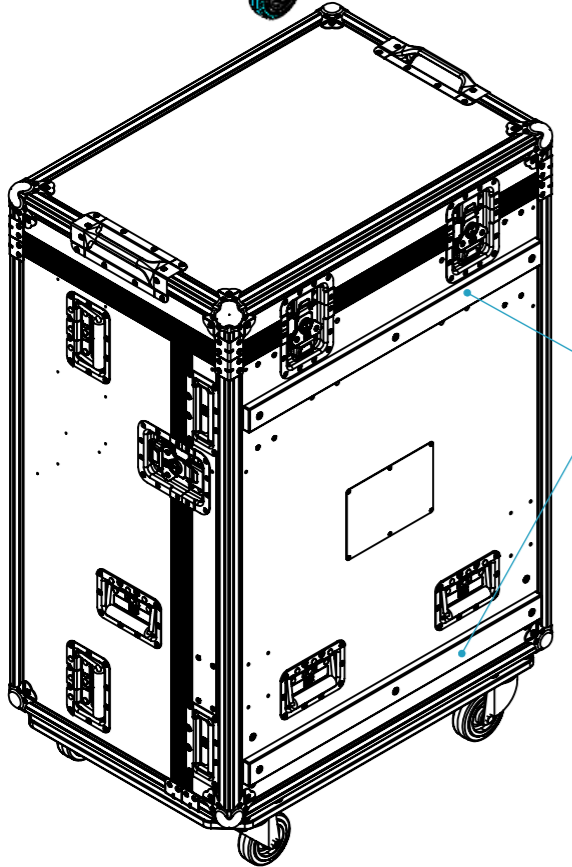
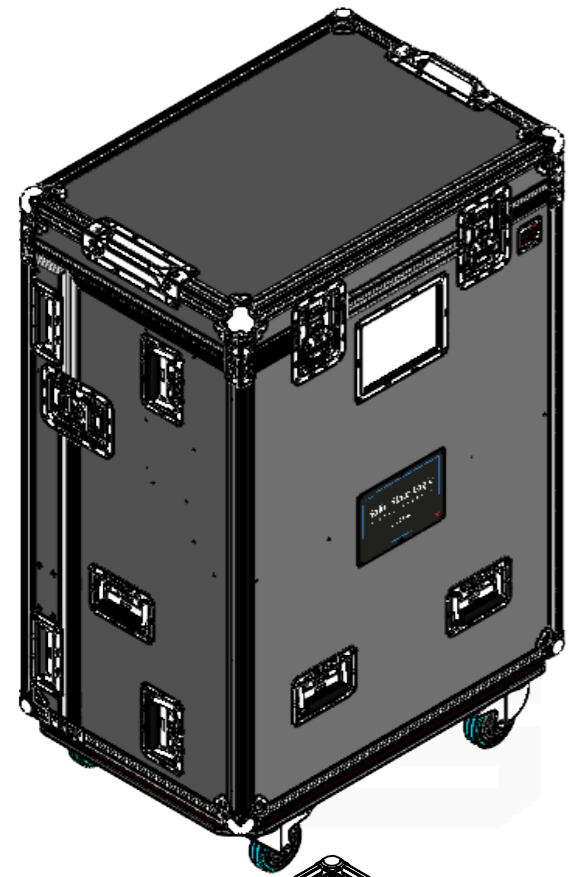
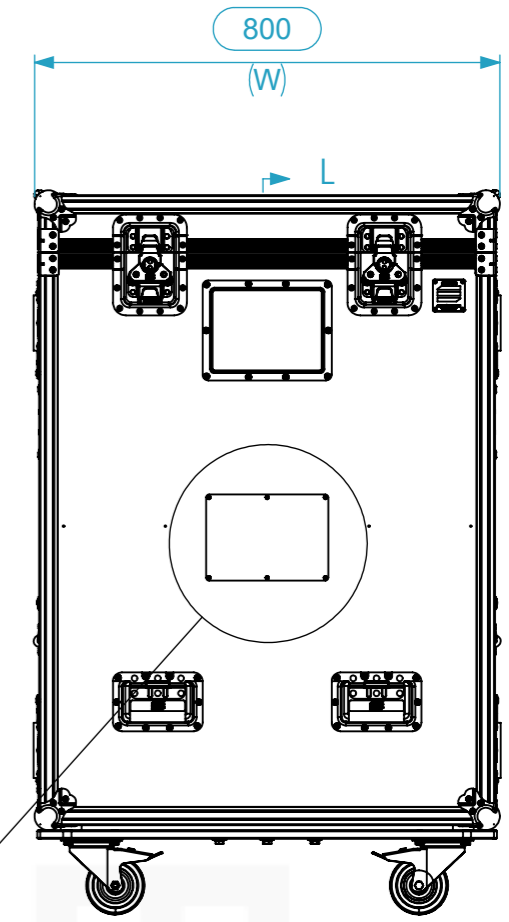
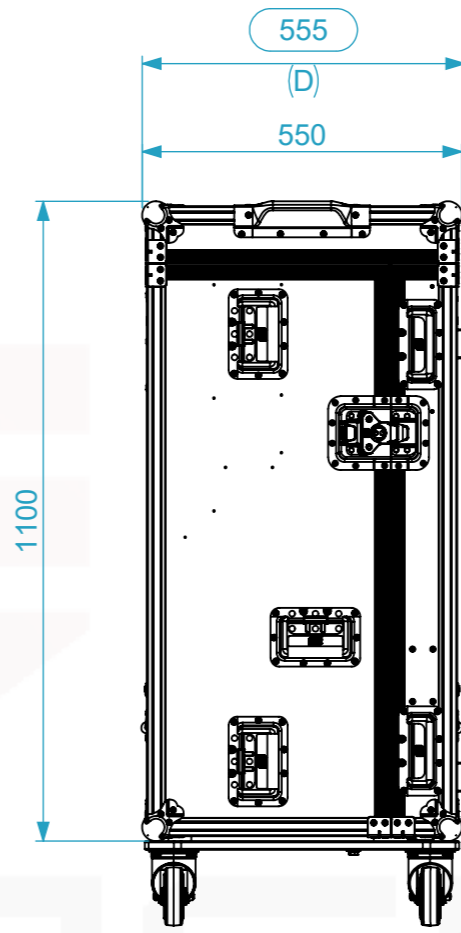
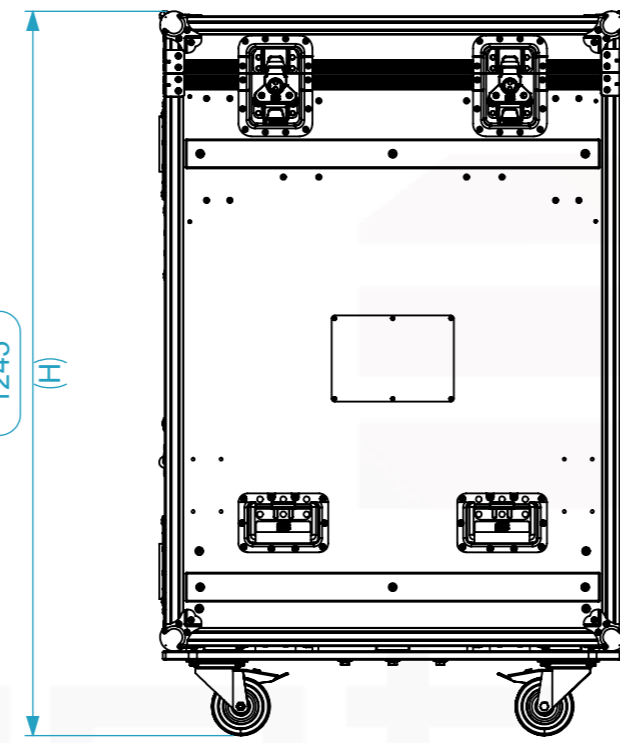
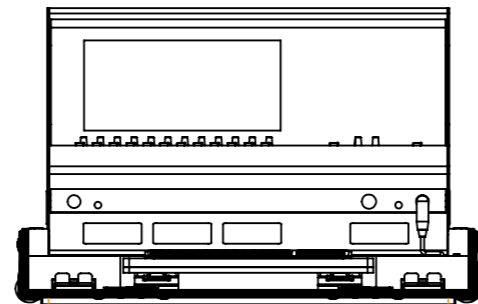
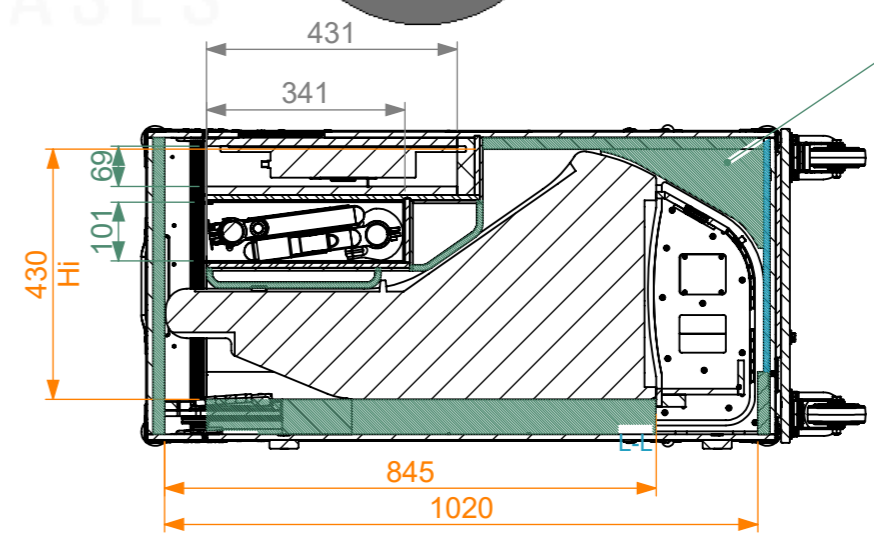
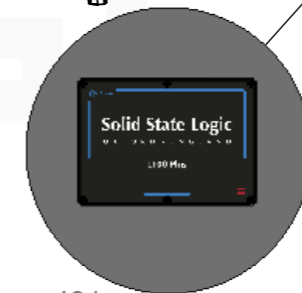


Equipment		
Solid State Logic L100 Plus		
Width	Depth	Height
691	843	426
Weight	Approx. 52 Kg	
Internal Dimensions		
Width	Depth	Height
687	845	430
FC Weight	Approx. 76 Kg	
Wall Thickness	10mm	



Wear resistant PE500 plastic feet



General External Dimensions	
W	Width
D	Depth
H	Height
Usable Inner Dimensions	
Wi	Inside Width
Di	Inside Depth
Hi	Inside Height
Wood Inner Dimensions	
WWi	Wood Inside Width
WDi	Wood Inside Depth
WHi	Wood Inside Height

Name	Date
Drawn by: jose.couto	12/12/2024
Reference	CS32.SSLL100P
Scale	1:13
units in mm	general tolerance 0.8mm
DO NOT SCALE	
Flight case PRO-32, Solid State Logic L100 Plus	

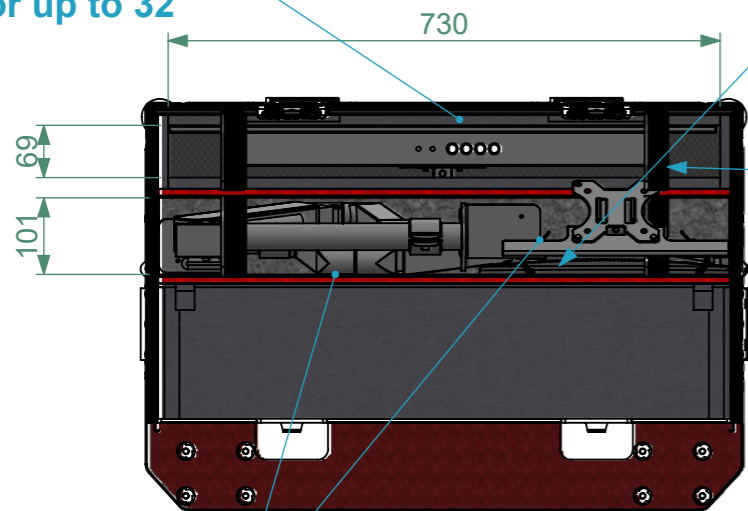


This drawing must not be copied or disclosed without consent of the owner



A3

Compartment for Monitor up to 32"

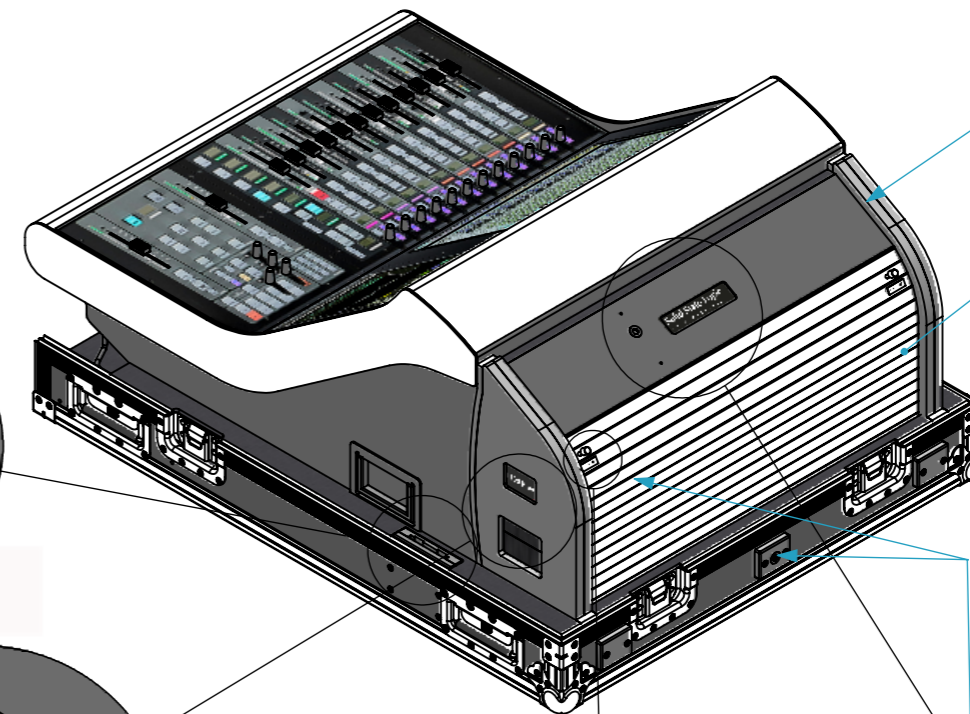


Net Bag For accessories

Velcro Straps

Cable compartment

Roller Shutter



Screw for supports

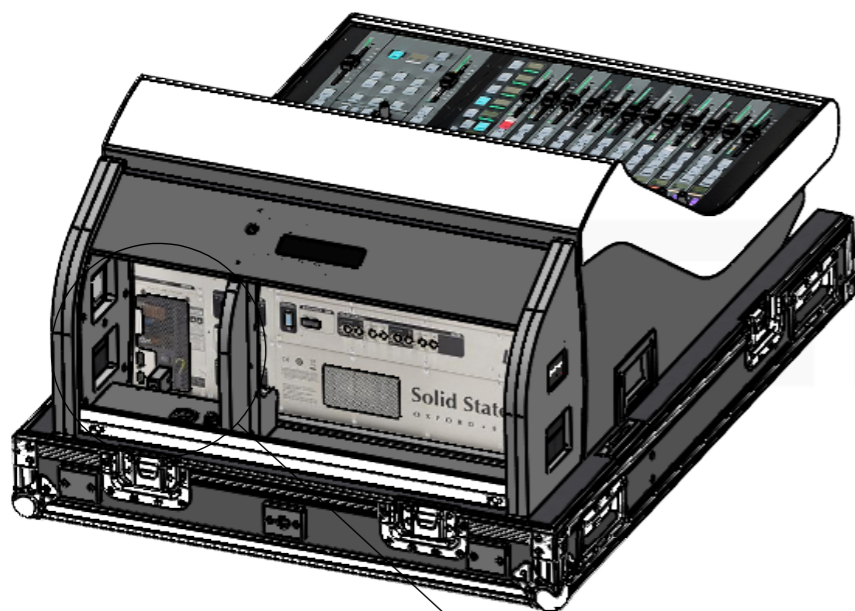
Slots for Swivel Arm supports
Left an Right of the case

Led panel: Model

Brush grommets for cables

Roller Shutter Locking System

Compartment for two Swivel Arm



Dog House interior illuminated

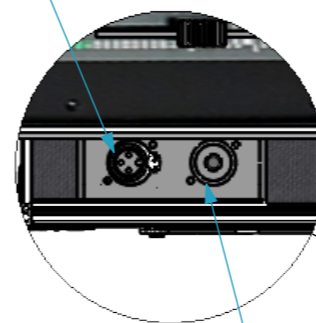
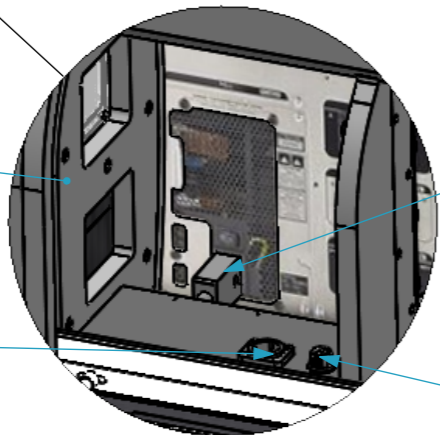
Powercon True (IN)

IEC Connector with Lock

Fuse

XLR connector

Screw for supports



Equipments	Not included
Accessories	Optional
Accessories	Included

Name	Date
Drawn by	jose.couto 12/12/2024
Reference	CS32.SSLL100P
Scale	1:10
units in mm	general tolerance 0.8mm
DO NOT SCALE	
1st Angle projection	Flight case PRO-32 Solid State Logic L100 Plus



This drawing must not be copied or disclosed without consent of the owner

A3



Equipments	Not included
Accessories	Optional
Accessories	Included

This drawing must not be copied or disclosed without consent of the owner

Drawn by	Name	Date
jose.couto	jose.couto	12/12/2024
Reference	CS32.SSLL100P	
Scale	units in mm	general tolerance
1:6	DO NOT SCALE	0.8mm
1st Angle projection	Flight case PRO-32, Solid State Logic L100 Plus	



A3