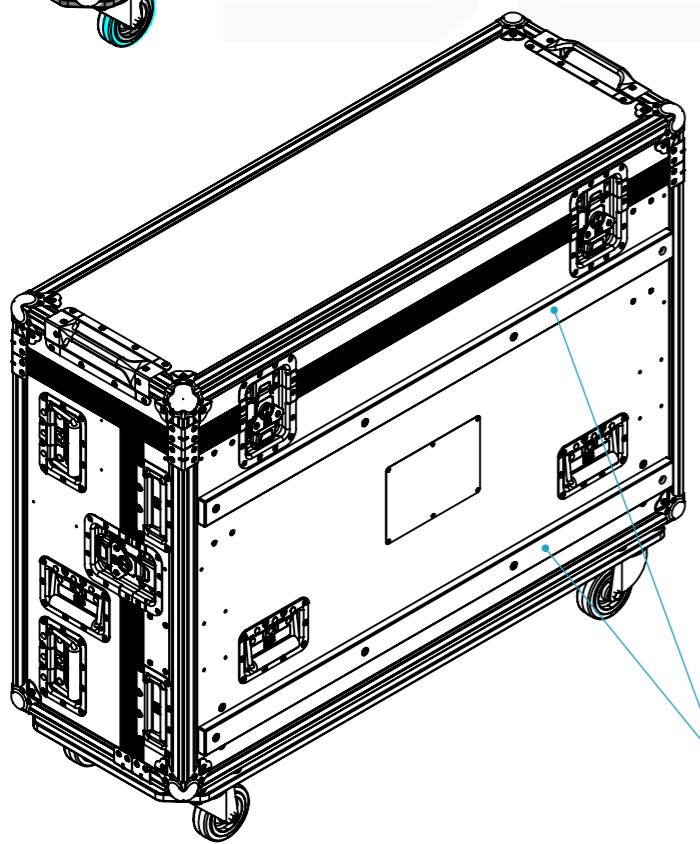
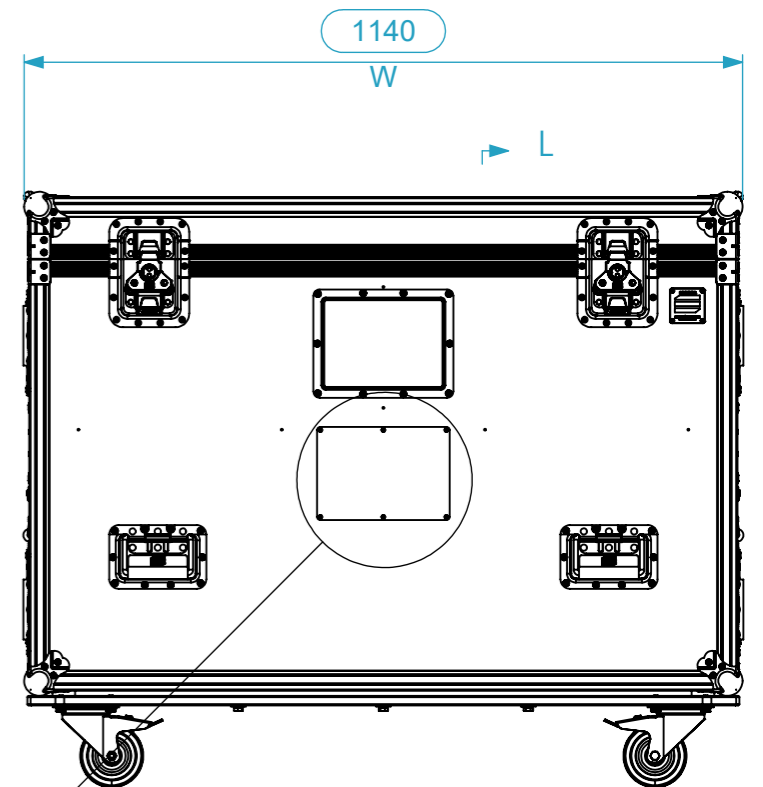
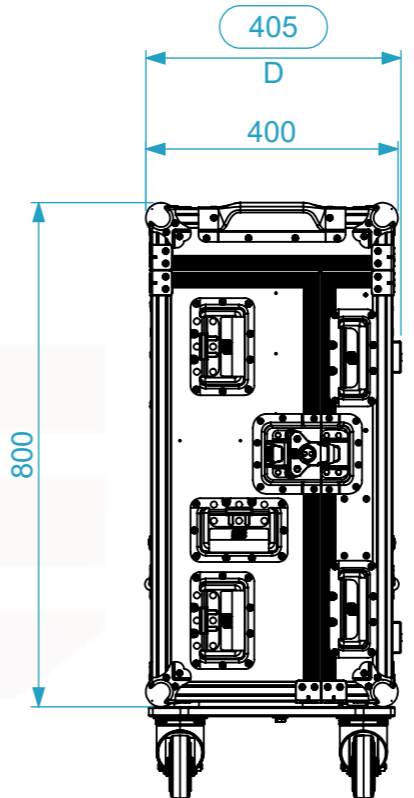
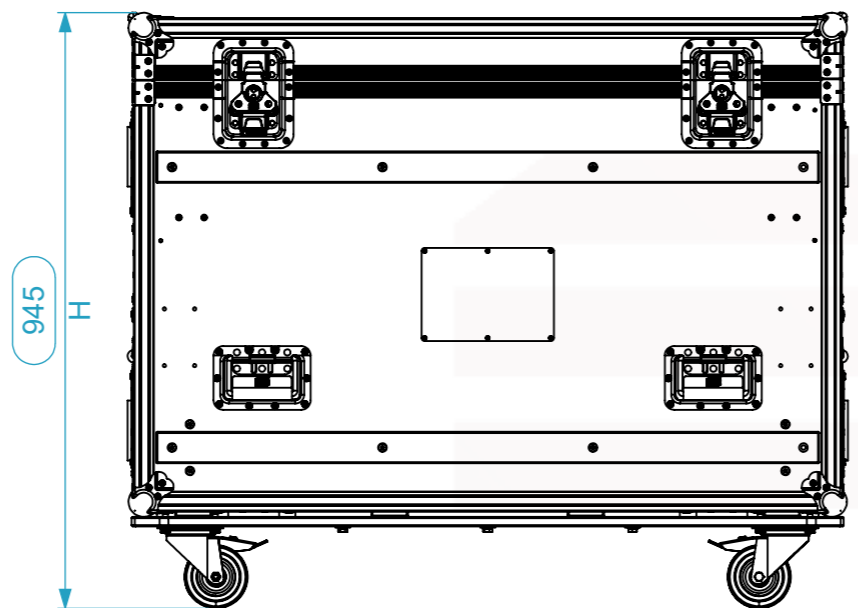
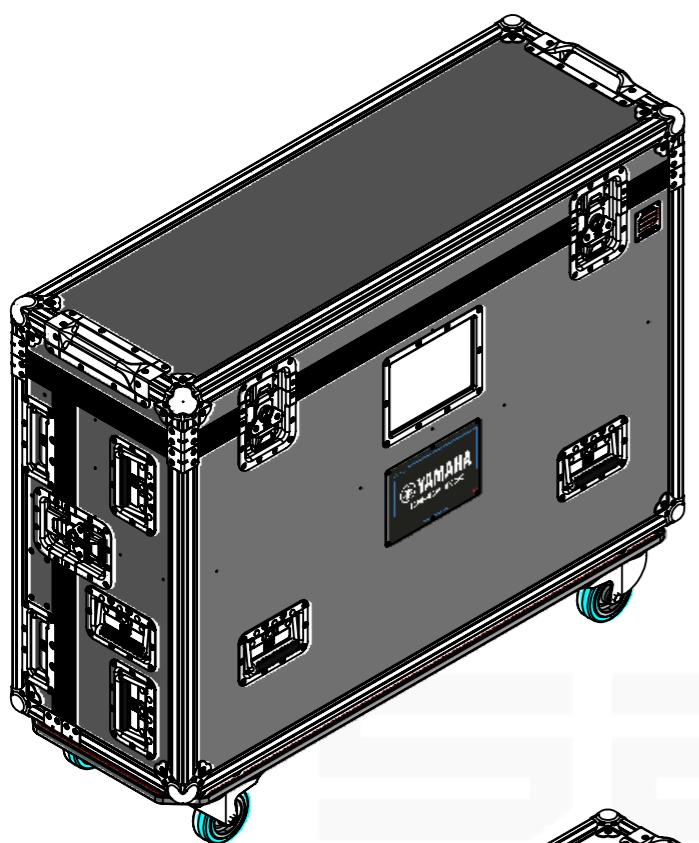
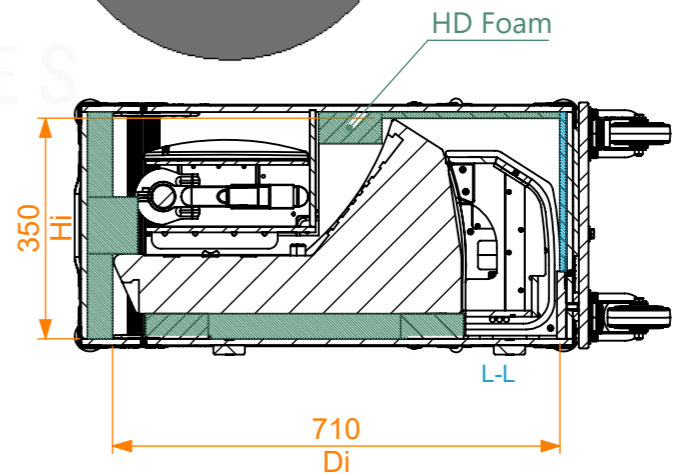
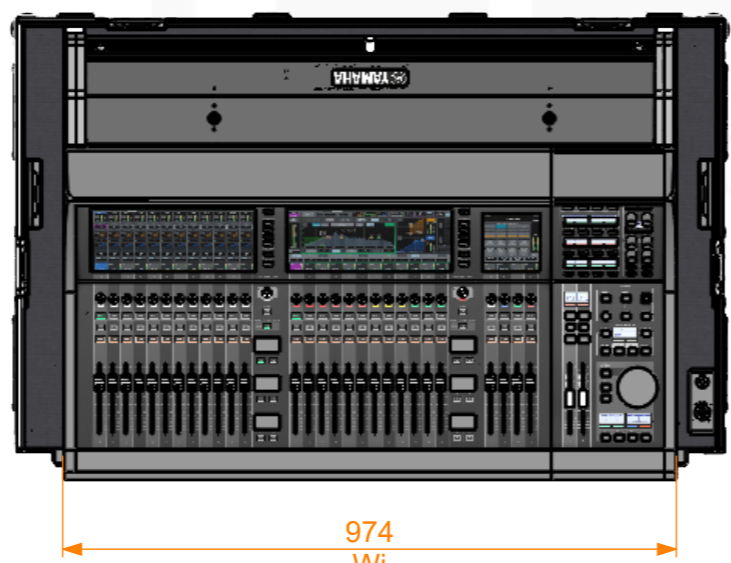


Equipment			Yamaha DM7 EX		
Width	Depth	Height			
973	564	324			
Weight	Approx. 30.5 Kg				
Internal Dimensions					
Width	Depth	Height			
974	710	350			
FC Weight	Approx. 66 Kg				
Wall Thickness	10mm				



Wear resistant PE500 plastic feet



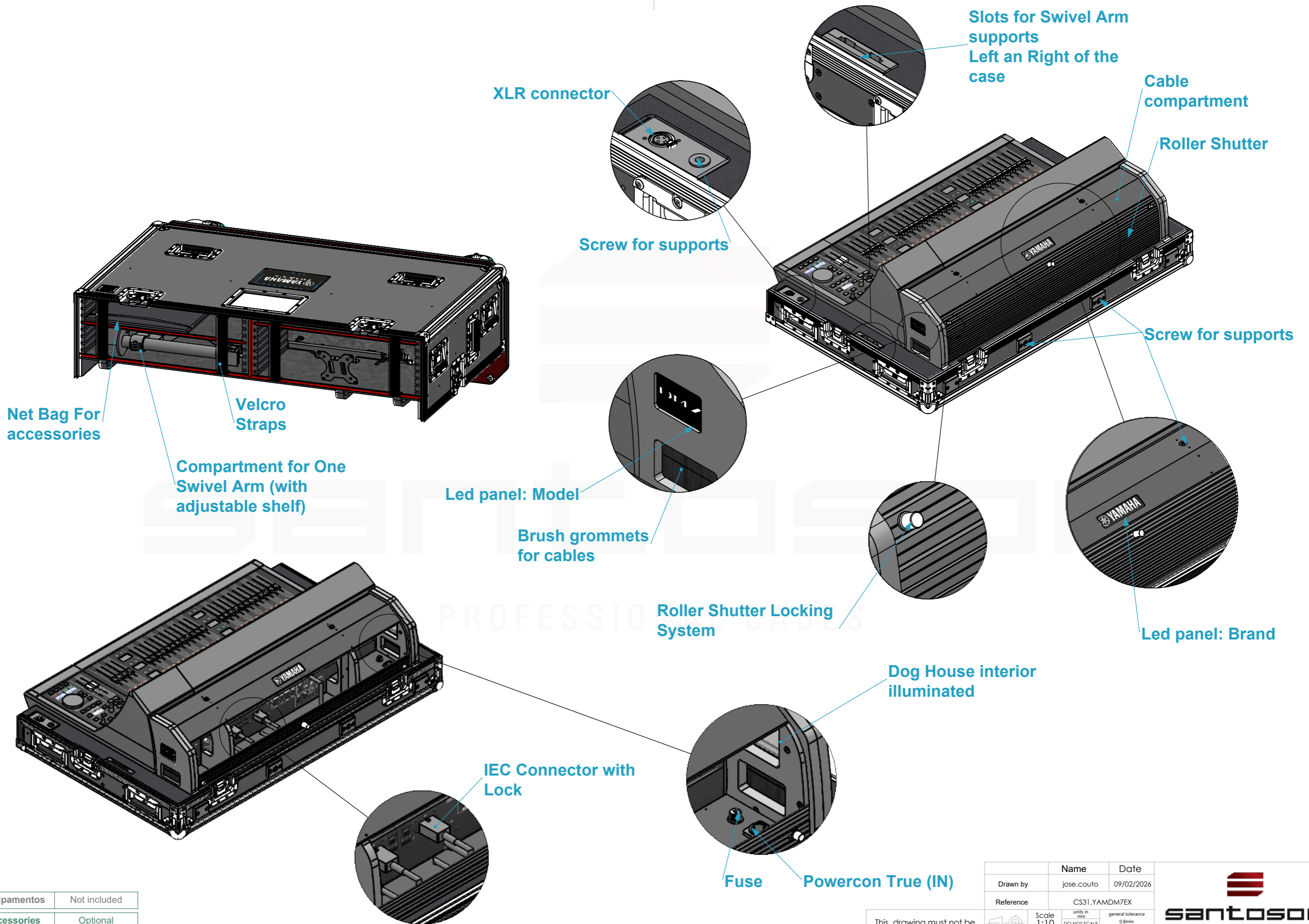
General External Dimensions	
W	Width
D	Depth
H	Height
Usable Inner Dimensions	
Wi	Inside Width
Di	Inside Depth
Hi	Inside Height
Wood Inner Dimensions	
WWi	Wood Inside Width
WDi	Wood Inside Depth
WHi	Wood Inside Height

Name	Date
Drawn by jose.couto	09/02/2026
Reference	CS31.YAMDM7EX
Scale	1:12
units in mm	general tolerance 0.8mm
DO NOT SCALE	
1st Angle projection	Flight case PRO-31, Yamaha DM7-EX



This drawing must not be copied or disclosed without consent of the owner

A3

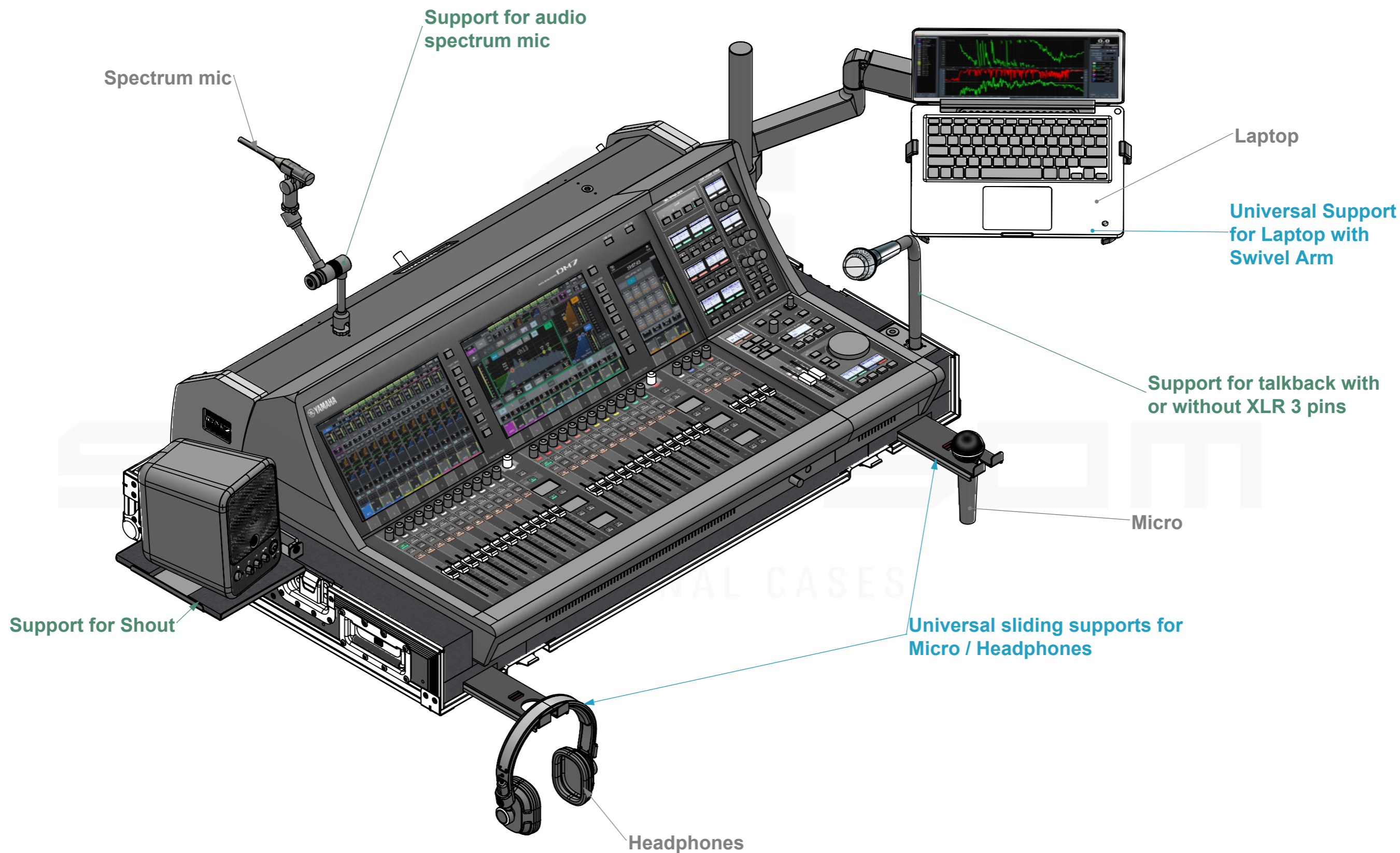


Equipamentos	Not included
Accessories	Optional
ACCESSORIES	Included

A3 This drawing must not be copied or disclosed without consent of the owner

Drawn by	Name	Date
jose.couto	jose.couto	09/02/2026
Reference	CS31.YAMD7EX	
Scale	units in mm	general tolerance
1:10	DO NOT SCALE	0.8mm
1st Angle projection	Flight case PRO-31, Yamaha DM7-EX	





Equipments	Not included
Accessories	Optional
Accessories	Included

A3 This drawing must not be copied or disclosed without consent of the owner

Drawn by	Name	Date
jose.couto	jose.couto	09/02/2026
Reference	CS31.YAMD7EX	
Scale	units in mm	general tolerance
1:6	DO NOT SCALE	0.8mm
1st Angle projection	Flight case PRO-31, Yamaha DM7-EX	

