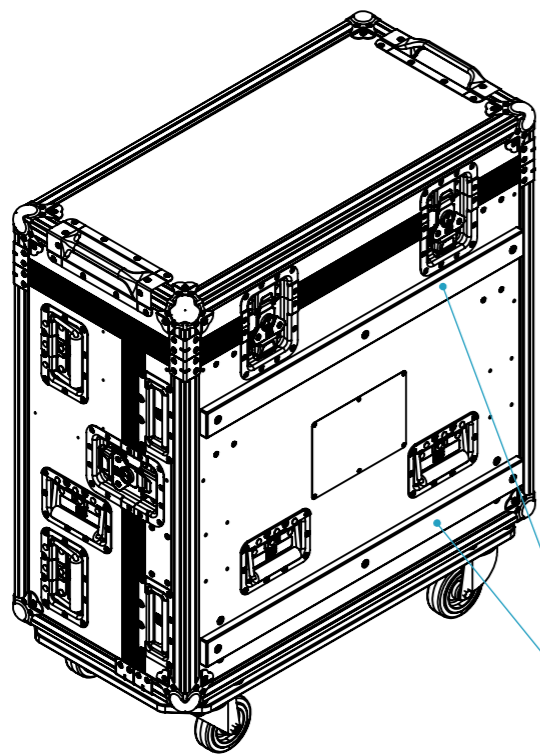
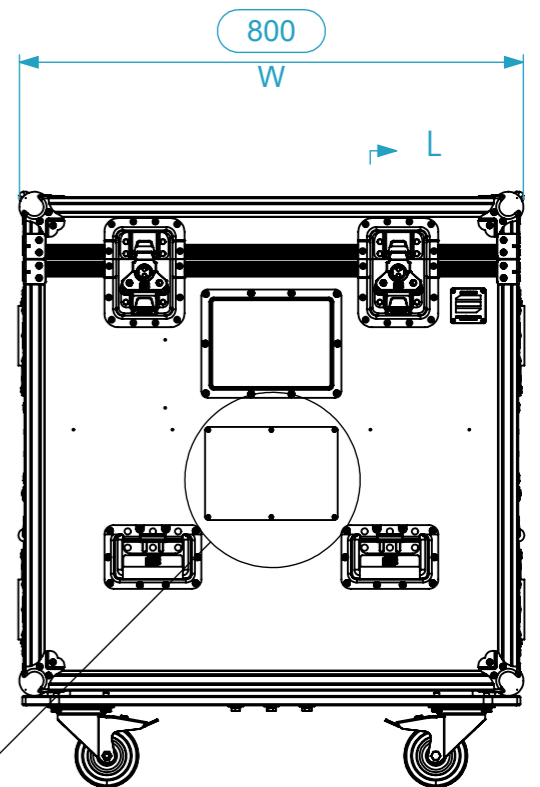
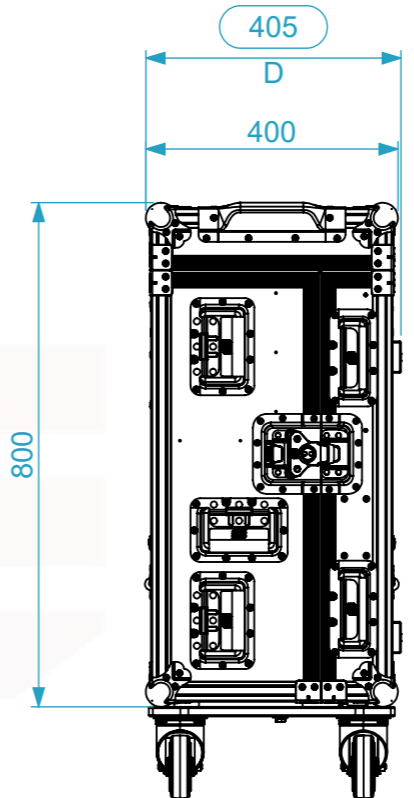
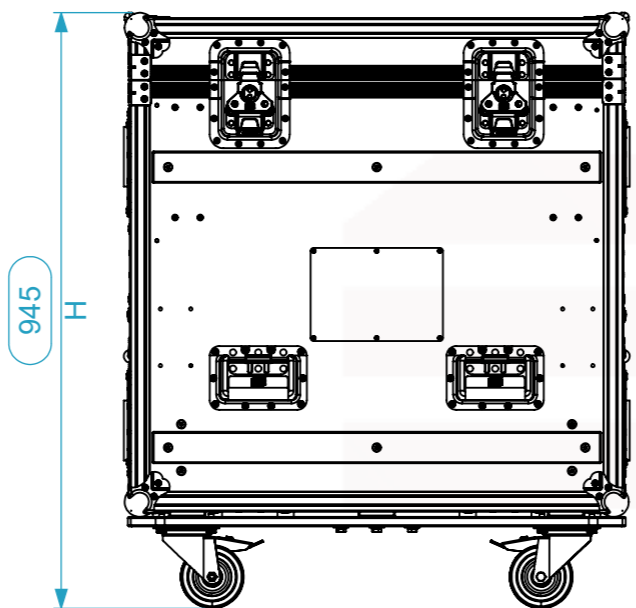
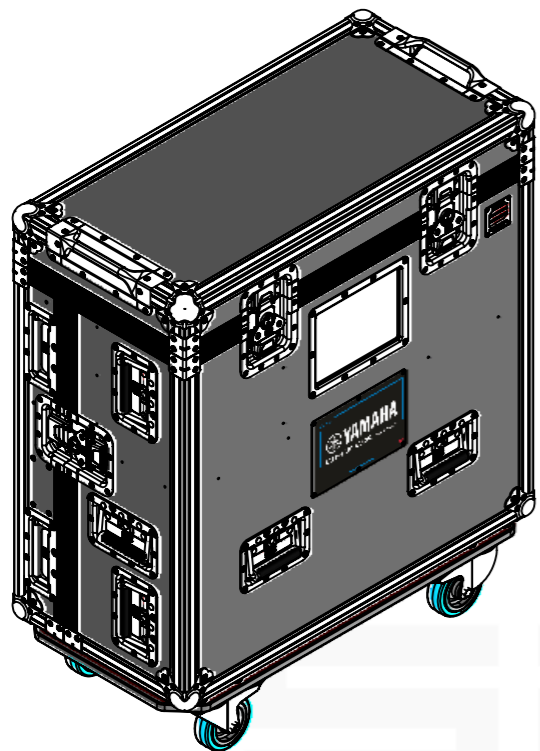
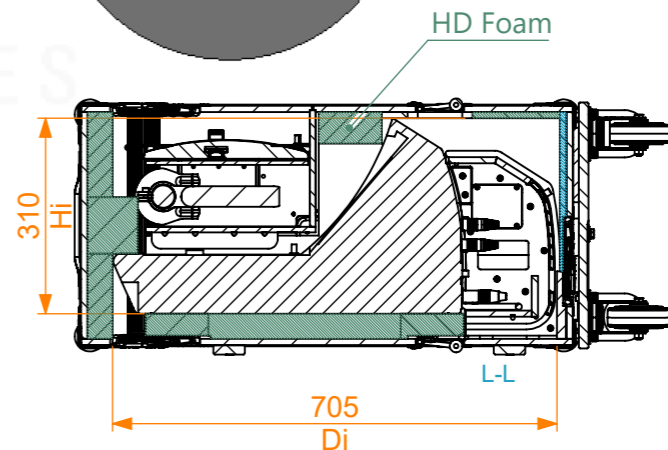
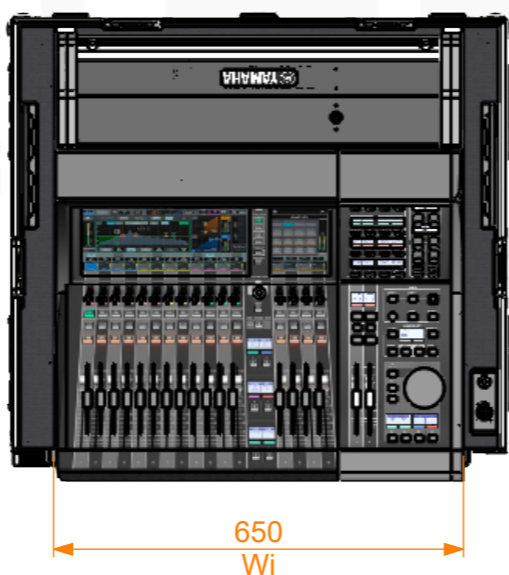


Equipment		
Yamaha DM7-EX Compact		
Width	Depth	Height
648	564	324
Weight	Approx. 23.5 Kg	
Internal Dimensions		
Width	Depth	Height
650	705	310
FC Weight	Approx. 56 Kg	
Wall Thickness	10mm	



Wear resistant PE500 plastic feet



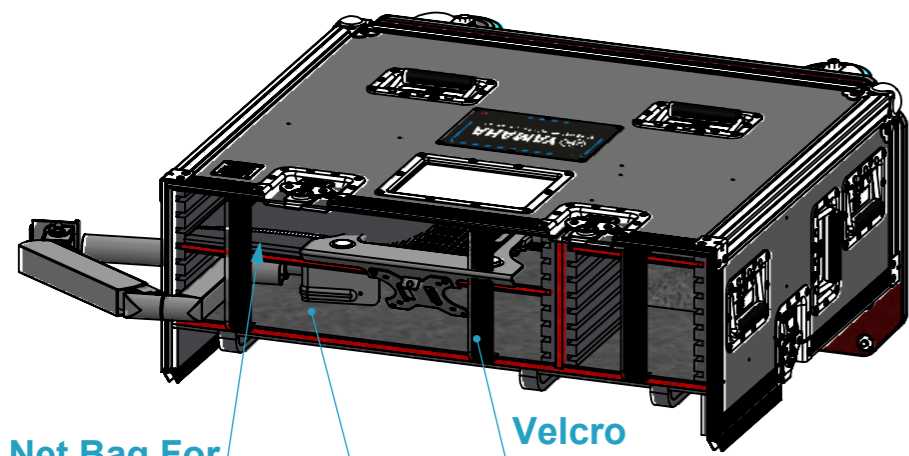
General External Dimensions	
W	Width
D	Depth
H	Height
Usable Inner Dimensions	
Wi	Inside Width
Di	Inside Depth
Hi	Inside Height
Wood Inner Dimensions	
WWi	Wood Inside Width
WDi	Wood Inside Depth
WHi	Wood Inside Height

Name	Date
Drawn by: jose.couto	09/02/2026
Reference	CS31.YAMDM7CEX
Scale	1:12
units in mm	general tolerance 0.8mm
DO NOT SCALE	
1st Angle projection	Flight case PRO-31, Yamaha DM7-EX Compact



This drawing must not be copied or disclosed without consent of the owner

A3



Net Bag For accessories

Velcro Straps

Compartment for One Swivel Arm (with adjustable shelf)

XLR connector

Screw for supports

Slots for Swivel Arm supports
Left or Right of the case
Cable compartment

Roller Shutter

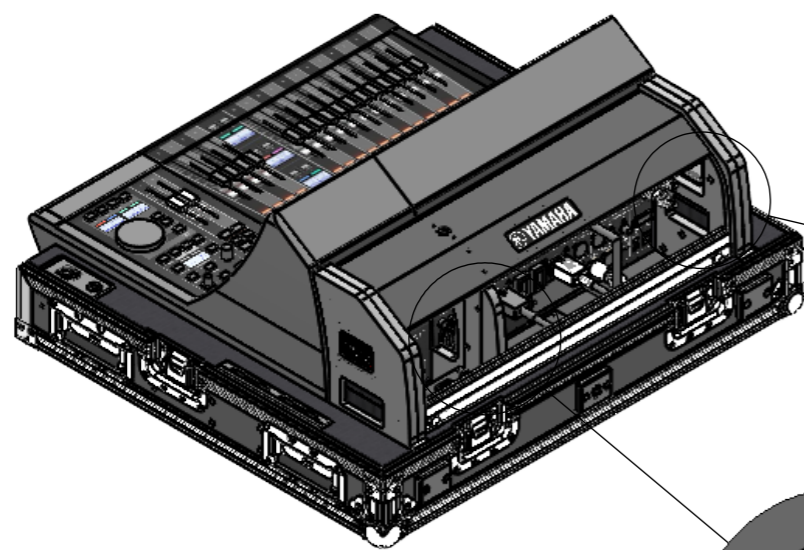
Screw for supports

Led panel: Model

Brush grommets for cables

Roller Shutter Locking System

Led panel: Brand



Dog House interior illuminated

Fuse

Powercon True (IN)

IEC Connector with Lock

Equipamentos	Not included
Accessories	Optional
ACCESSORIES	Included

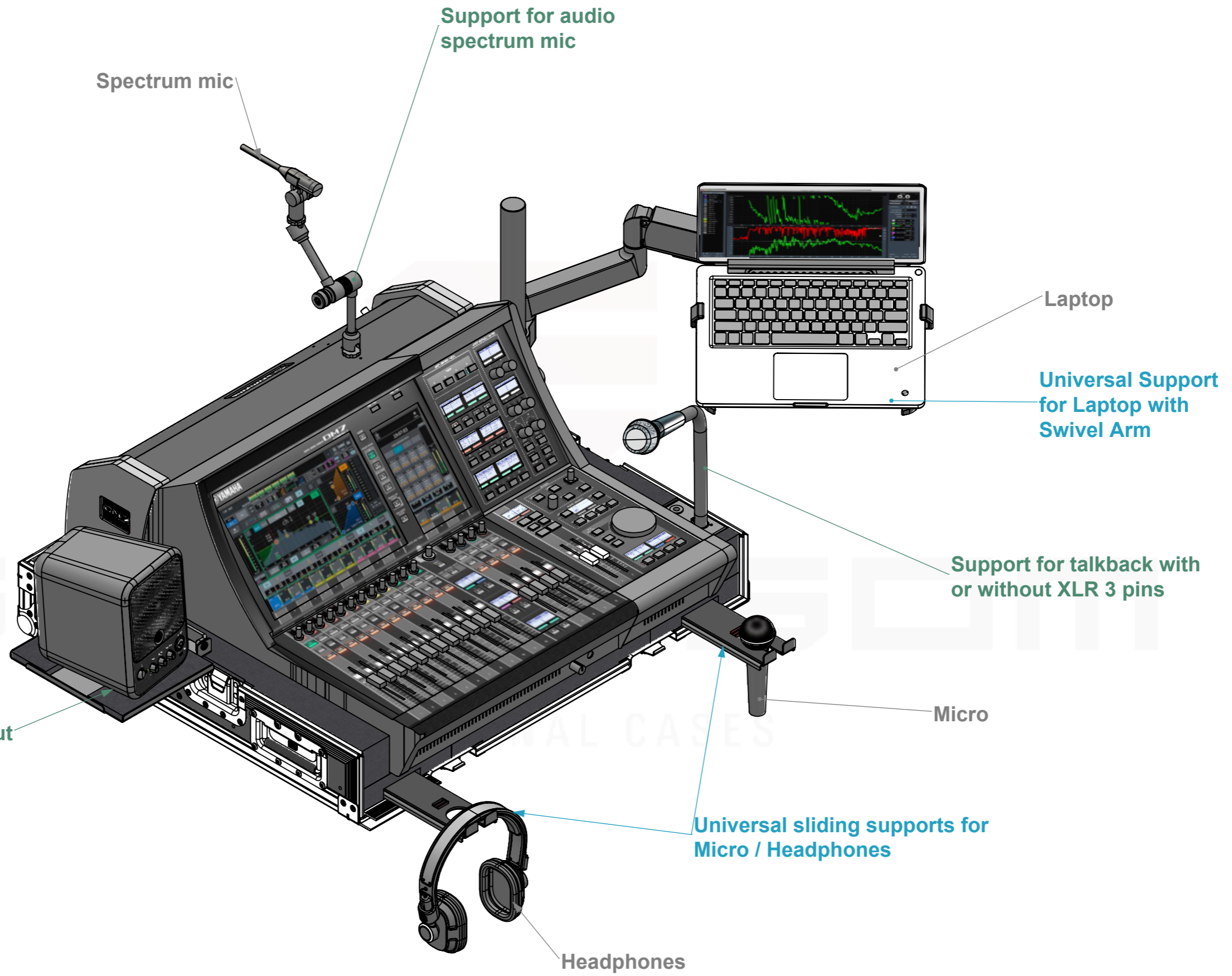
Name	Date
Drawn by jose.couto	09/02/2026
Reference	CS31.YAMDM7CEX
Scale	1:10
units in mm	general tolerance 0.8mm
DO NOT SCALE	
Flight case PRO-31, Yamaha DM7-EX Compact	



This drawing must not be copied or disclosed without consent of the owner



A3



Equipments	Not included
Accessories	Optional
Accessories	Included

A3 This drawing must not be copied or disclosed without consent of the owner

Drawn by	Name	Date
jose.couto	jose.couto	09/02/2026
Reference	CS31.YAMDM7CEX	
Scale	units in mm	general tolerance
1:6	DO NOT SCALE	0.8mm
Flight case PRO-31, Yamaha DM7-EX Compact		

